

- [54] WRIST WATCH
- [75] Inventor: Eugene J. Sulek, Plano, Tex.
- [73] Assignee: Texas Instruments Incorporated
- [\*\*] Term: 14 Years
- [21] Appl. No.: 725,762
- [22] Filed: Sep. 23, 1976
- [51] Int. Cl. .... D10-02
- [52] U.S. Cl. .... D10/38
- [58] Field of Search ..... D10/30-39,  
D10/38; 58/53-56, 50 R, 50 A, 23 R

- D. 238,341 1/1976 Cruse ..... D10/38
- D. 241,126 8/1976 Lawrence ..... D10/38
- 3,379,004 4/1968 Lee ..... D10/39 X

Primary Examiner—Nelson C. Holtje  
 Attorney, Agent, or Firm—Harold Levine

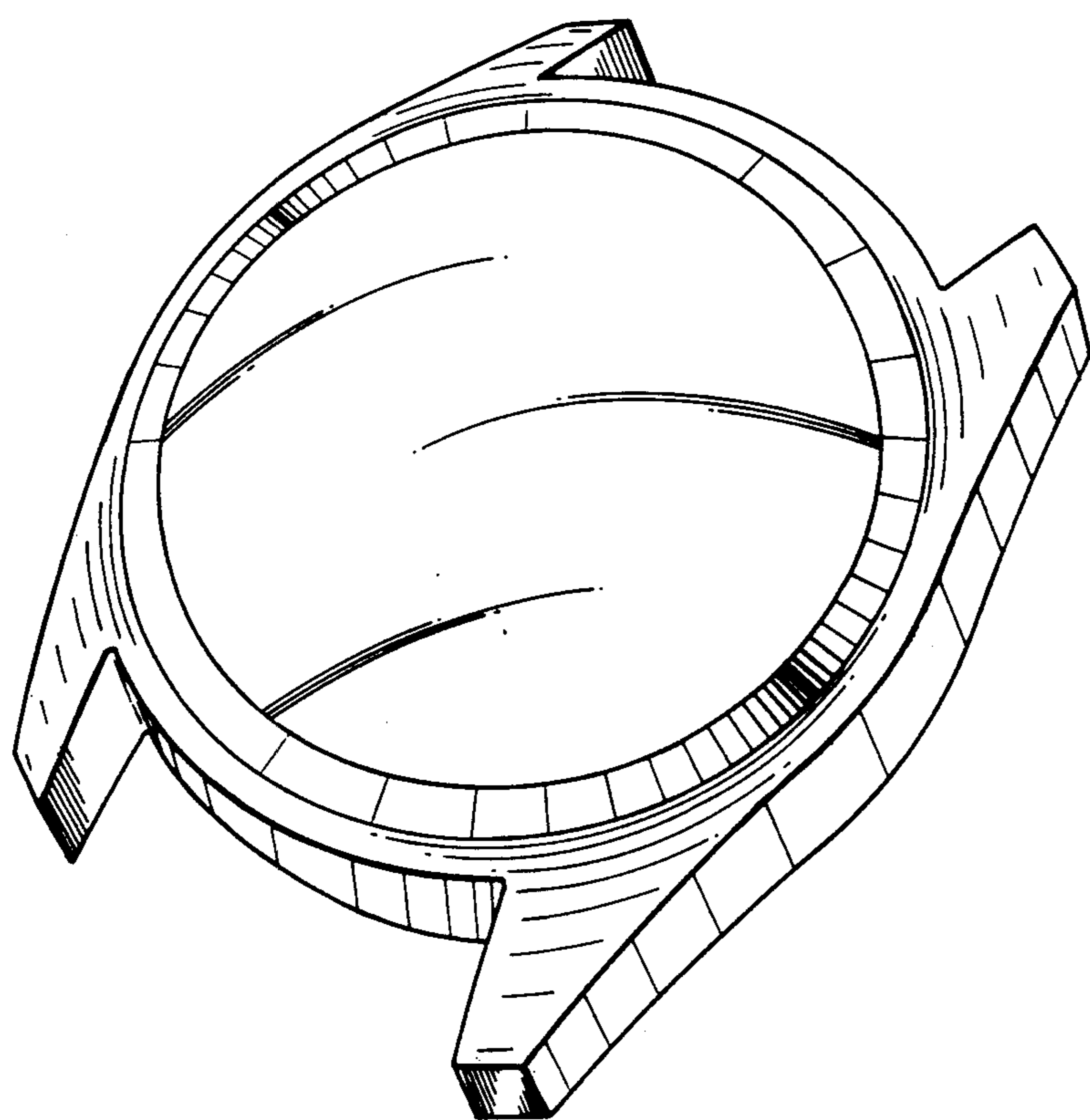
[57] CLAIM

The ornamental design for a wrist watch, substantially as shown and described.

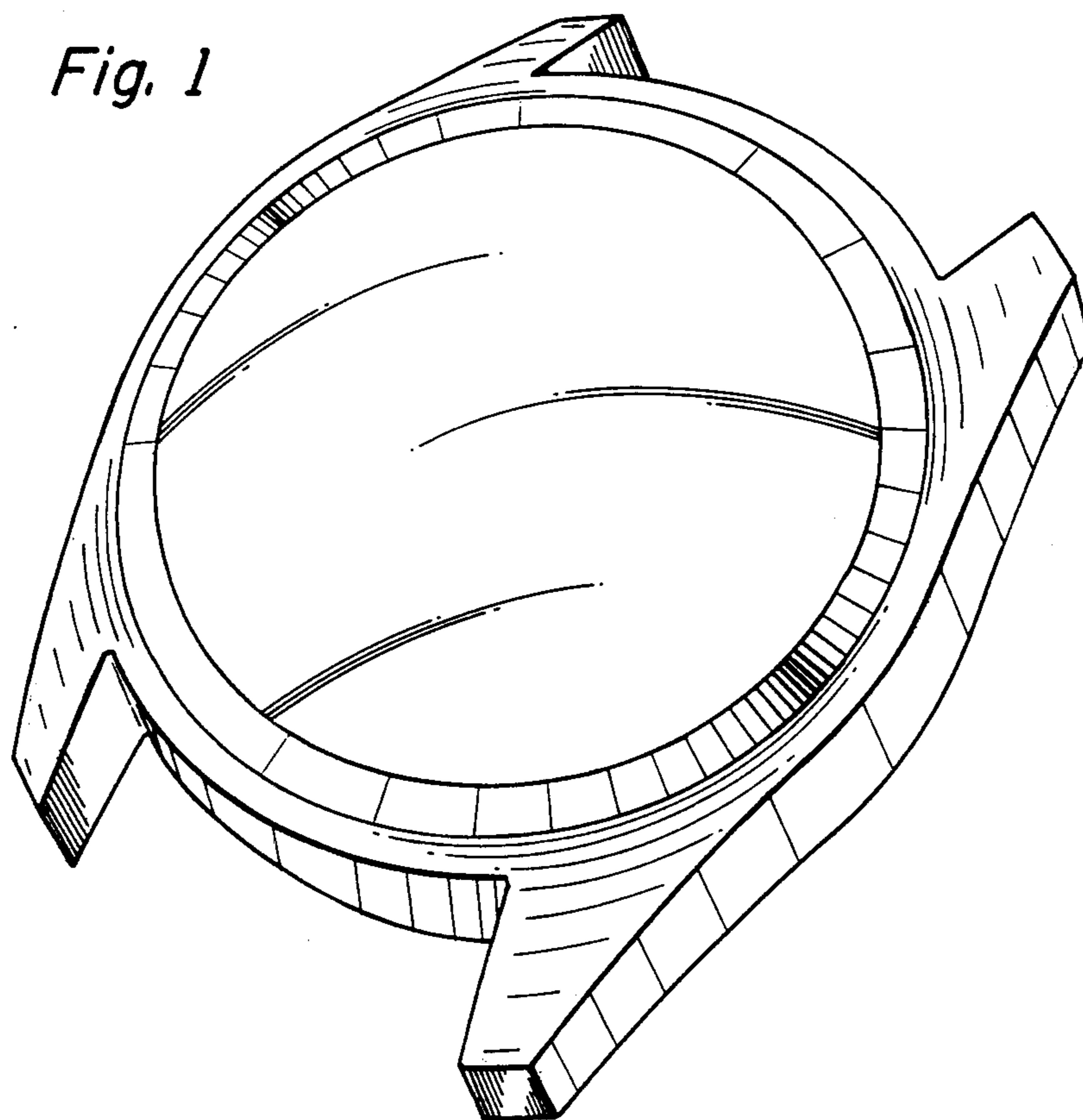
DESCRIPTION

FIG. 1 is a right top perspective view of a wrist watch showing my new design;  
 FIG. 2 is a top plan view thereof;  
 FIG. 3 is a right side elevational view thereof, the left side being substantially a mirror image thereto; and  
 FIG. 4 is a left end elevational view thereof, the right end being substantially a mirror image thereto.  
 The back of the wrist watch is plain and conventional.

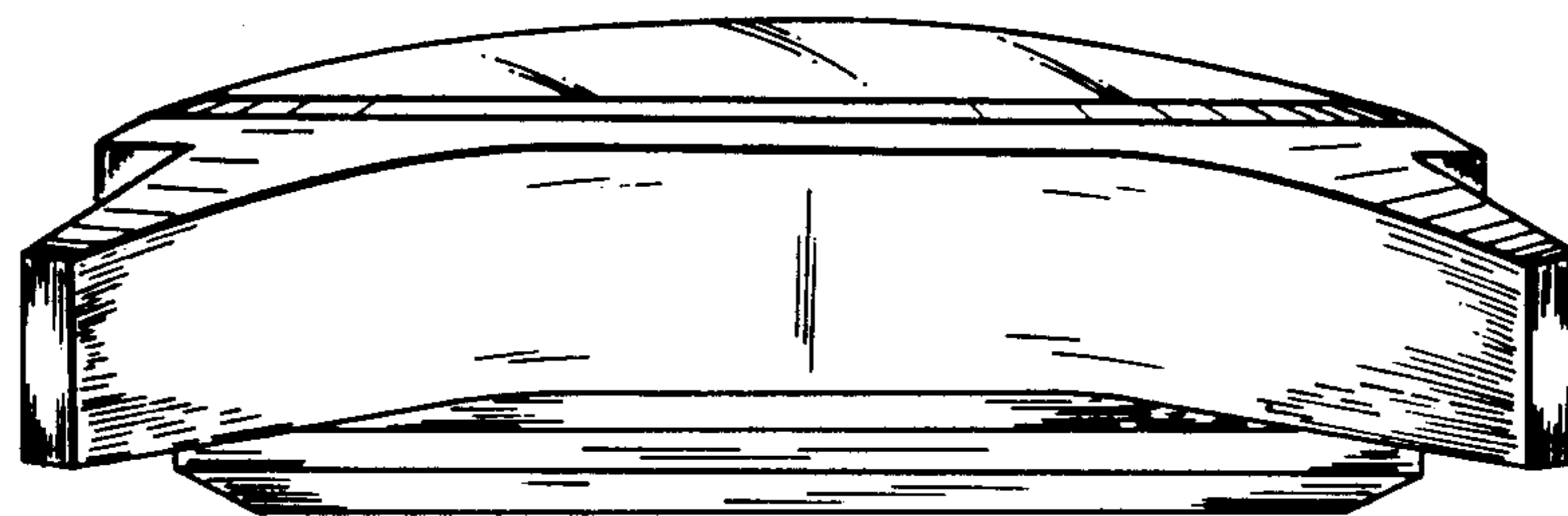
- [56] References Cited
- U.S. PATENT DOCUMENTS
- D. 220,051 3/1971 Gsll ..... D10/39
- D. 221,289 7/1971 VanHaften ..... D10/39



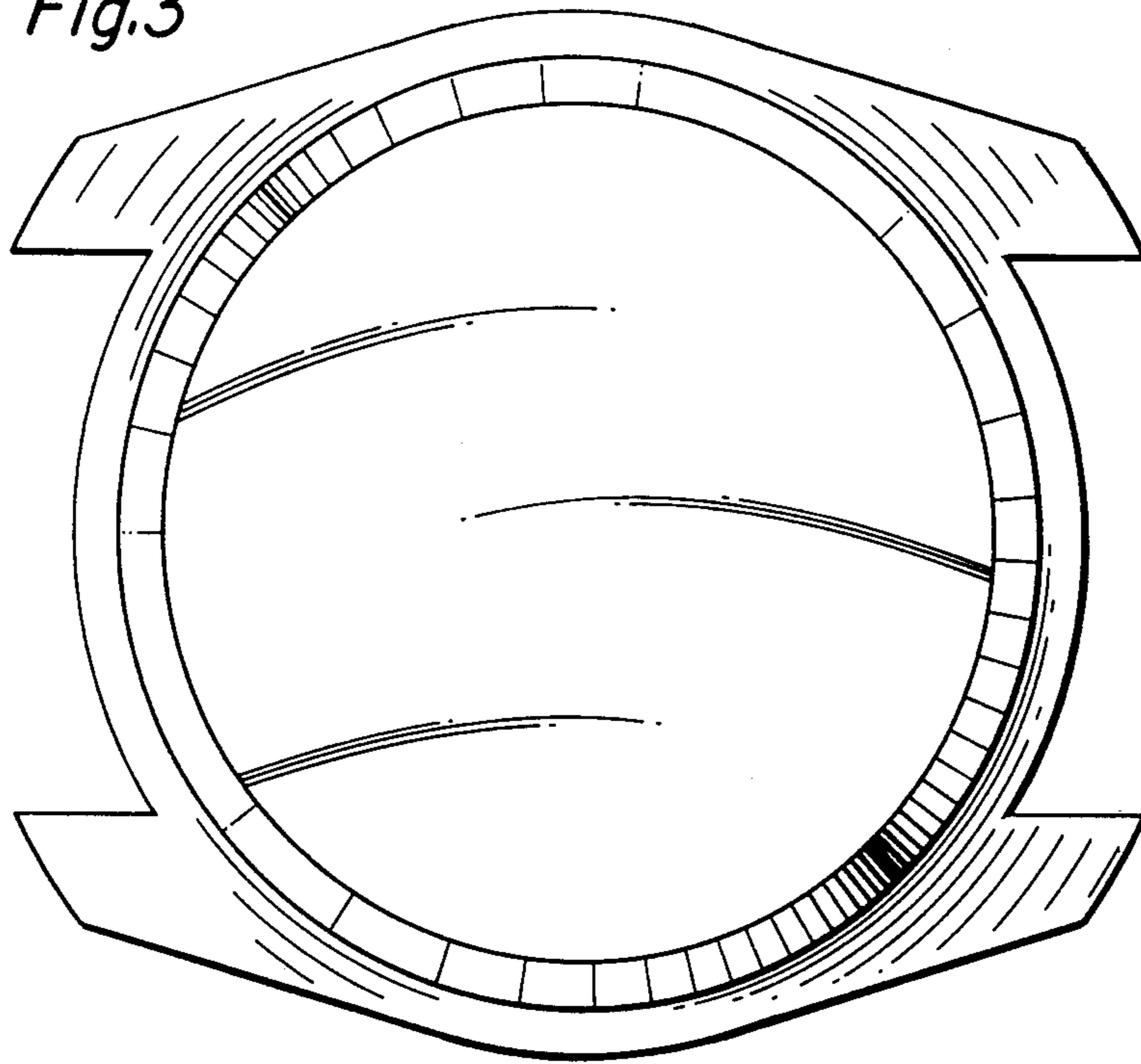
*Fig. 1*



*Fig. 2*



*Fig. 3*



*Fig. 4*

