

[54] NUTCRACKER

[76] Inventor: John S. Doyel, 404 W. 20th St., New York, N.Y. 10011

[\*\*] Term: 14 Years

[21] Appl. No.: 745,444

[22] Filed: Nov. 26, 1976

[51] Int. Cl. .... D7-06

[52] U.S. Cl. .... D7/98

[58] Field of Search ..... D7/98, 105; 30/120.1, 30/120.2, 120.3, 120.4, 120.5

[56] References Cited

U.S. PATENT DOCUMENTS

D. 158,248	4/1950	Brookey	.....	D7/98
2,543,886	3/1951	Brookey	.....	30/120.5
2,927,543	3/1960	Sherbondy	.....	D7/43 X
3,496,975	2/1970	Hill	.....	30/120.2

FOREIGN PATENT DOCUMENTS

186180	8/1906	Fed. Rep. of Germany	.....	30/120.2
23660	12/1907	Sweden	.....	30/120.2

Primary Examiner—Winifred E. Herrmann  
Attorney, Agent, or Firm—Lester W. Clark

[57] CLAIM

The ornamental design for a nutcracker, as shown and described.

DESCRIPTION

FIG. 1 is a side elevational view of a nutcracker showing my new design.

FIG. 2 is a front elevational view thereof.

FIG. 3 is a back elevational view thereof.

FIG. 4 is a top elevational view thereof.

FIG. 5 is a side elevational view thereof from the side opposite that shown in FIG. 1.

FIG. 6 is a bottom elevational view thereof.

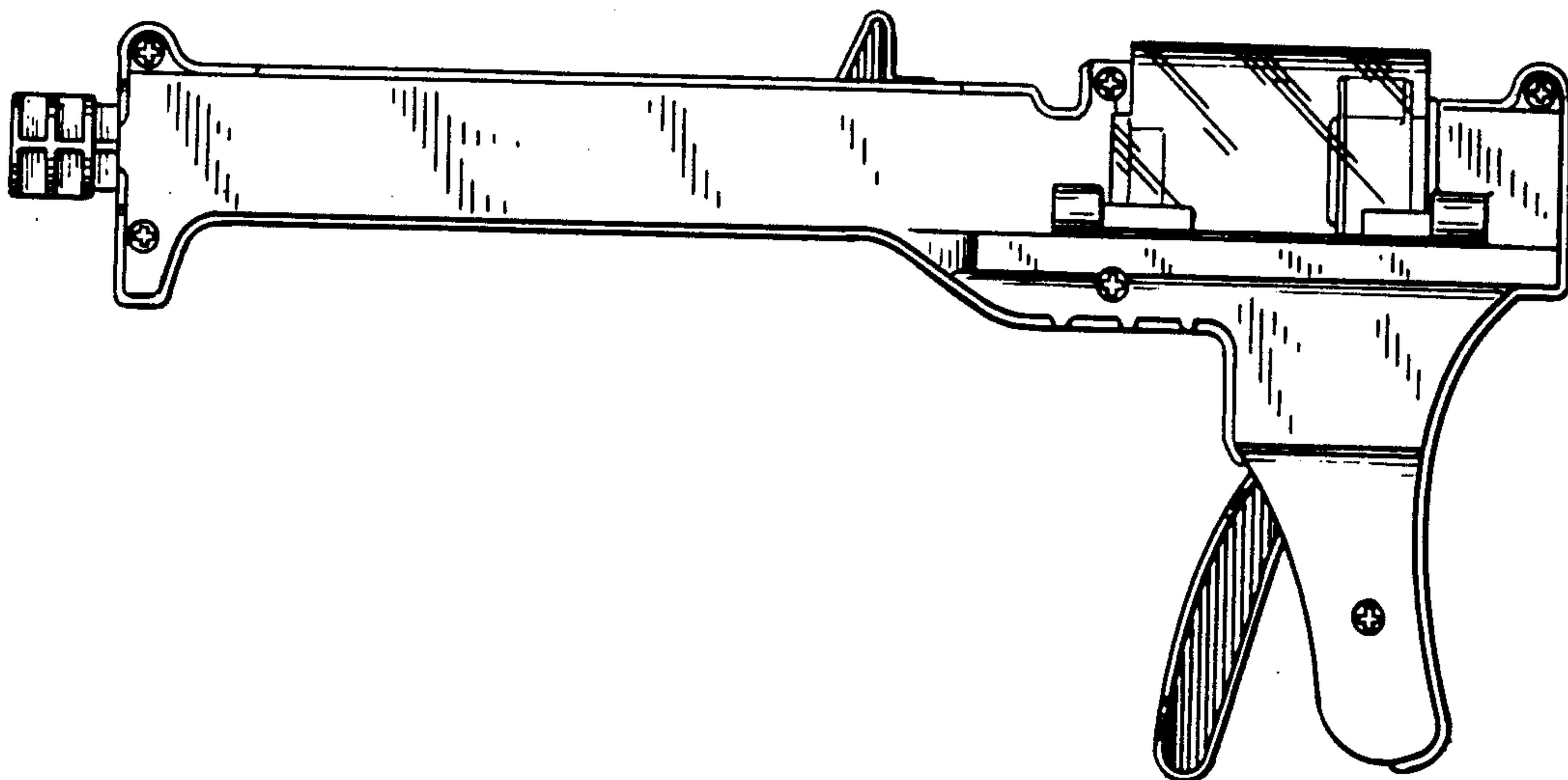


Fig. 1.

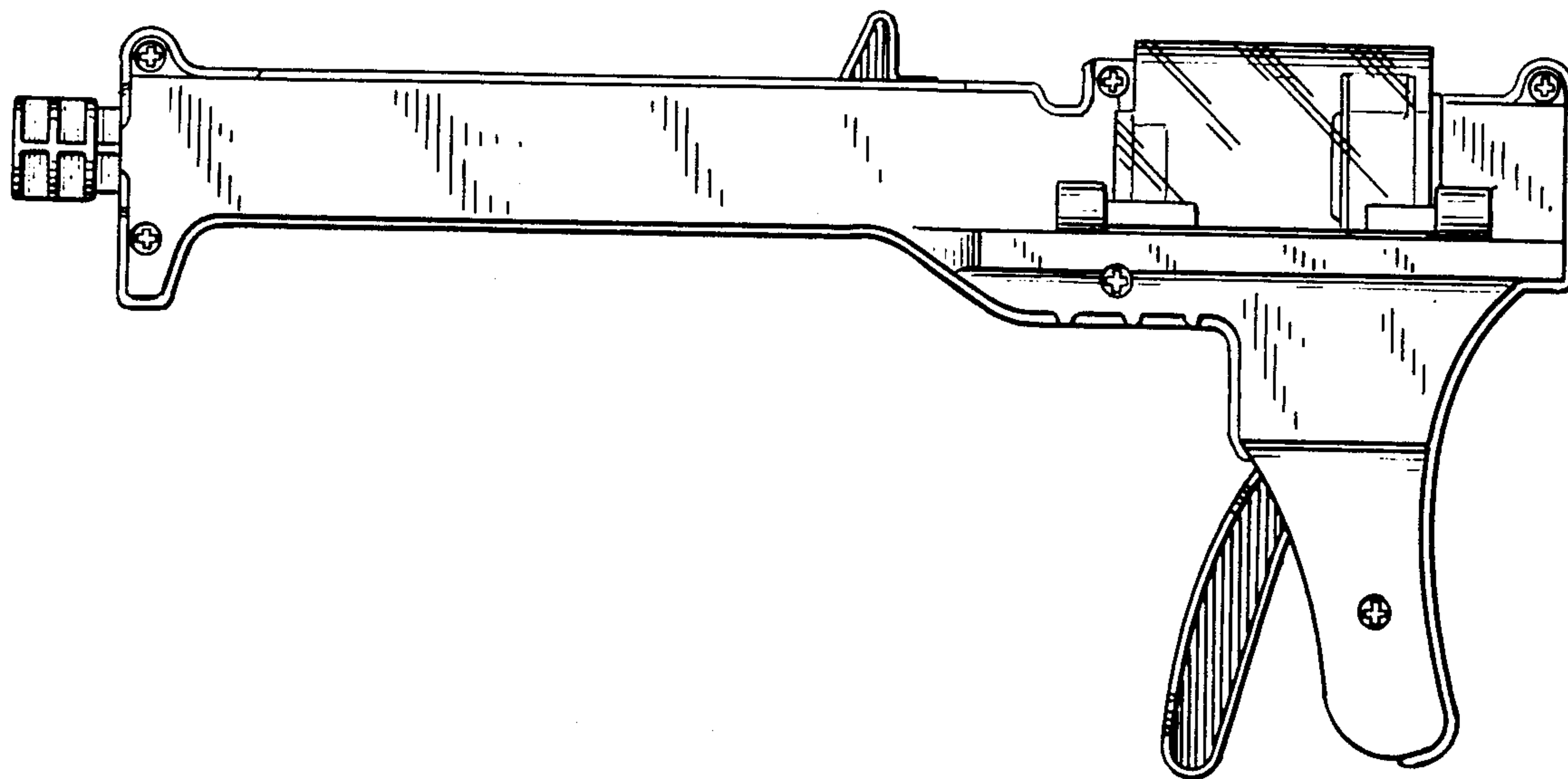


Fig. 2.

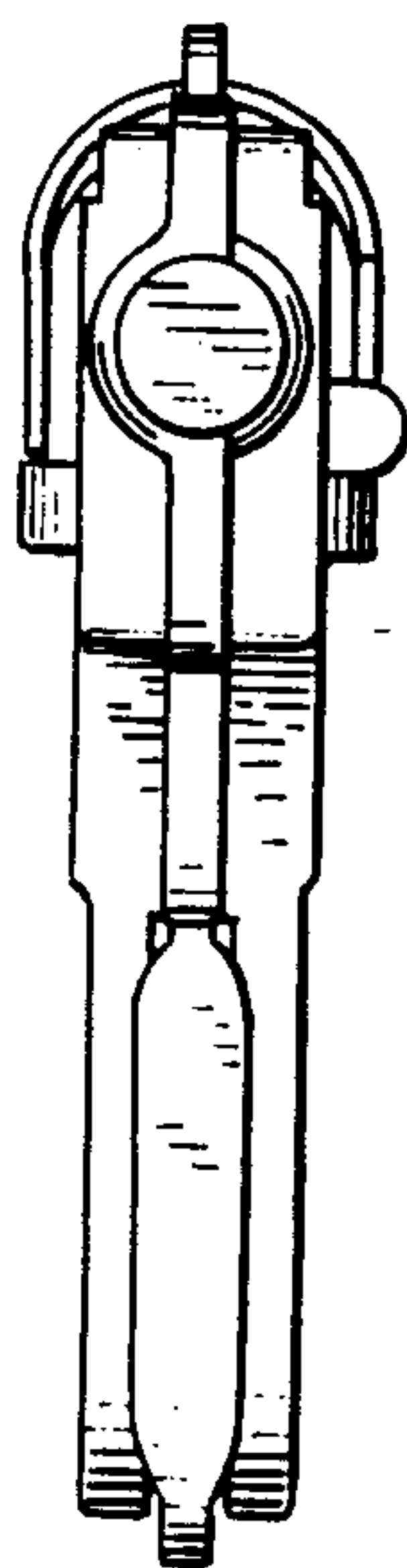


Fig. 3.

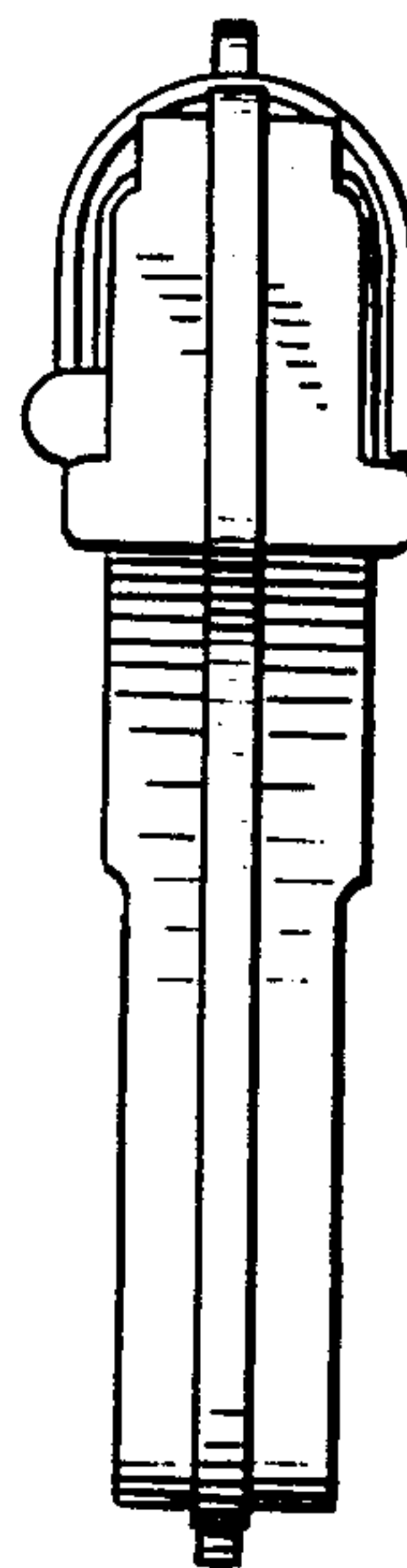


Fig. 4.

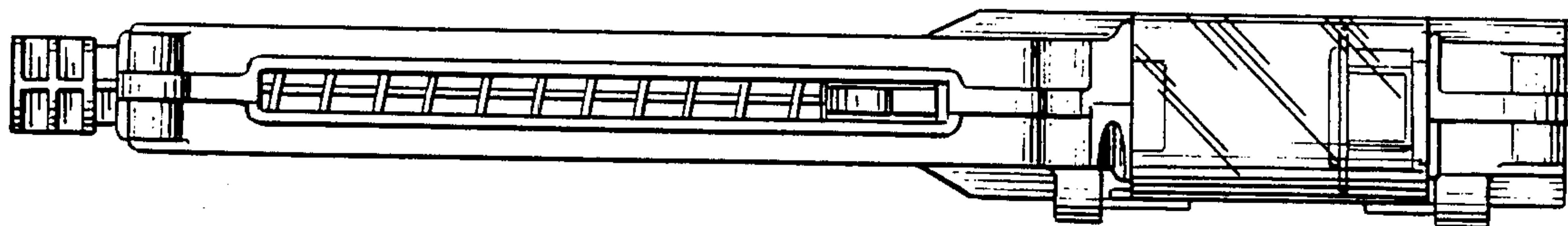


Fig. 5.

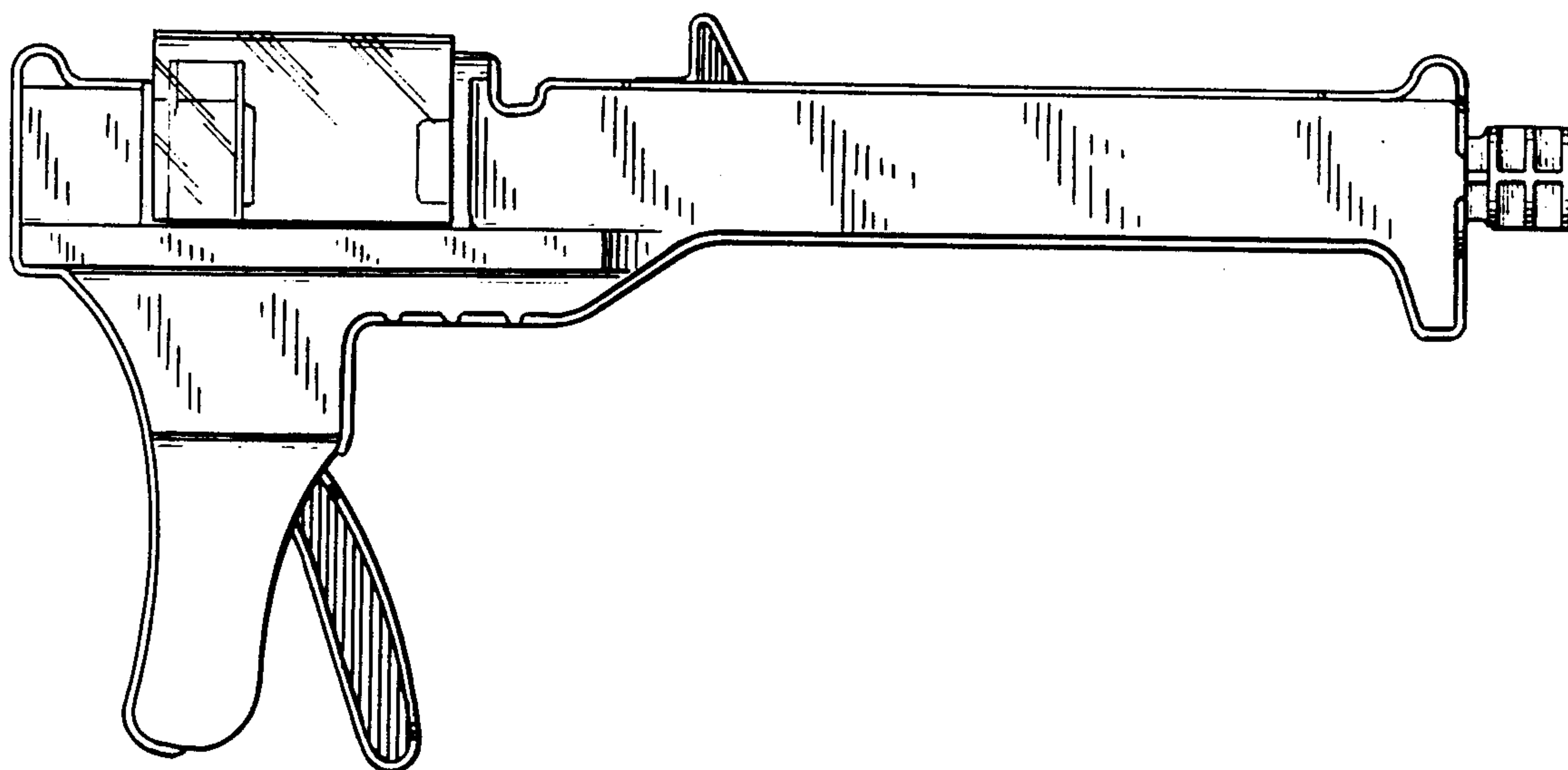


Fig. 6.

