

[54] COMBINED SIEVE AND HOLDER WITH COOKING PAN INSERT

[76] Inventor: Hans I. Wallstén, Chemin de la Lisiere 6, Lausanne, Switzerland

[**] Term: 14 Years

[21] Appl. No.: 739,699

[22] Filed: Nov. 8, 1976

[30] Foreign Application Priority Data

May 11, 1976 [SE] Sweden 76-1027

[51] Int. Cl. D7-02

[52] U.S. Cl. D7/47; D7/95; D7/96; D7/97

[58] Field of Search D7/41, 99, 47, 85, 86, D7/90, 94, 95, 96, 97; 99/403, 413; 210/465, 473, 474, 485, 471, 470

[56] References Cited

U.S. PATENT DOCUMENTS

D. 4,941	5/1871	Page	D7/95
2,170,904	8/1939	Kircher	D7/97 X
2,174,577	10/1939	Friedman	210/471
2,307,408	1/1943	Kent	99/403 X

OTHER PUBLICATIONS

Good Housekeeping, Dec. 1973, p. 168, Enterprise

Aluminum Co., Saucepan with Strainer Holes, top right.
Everedy Speedy-Clean Cookware, p. 7, French Fryer at bottom left.

Primary Examiner—Winifred E. Herrmann
Attorney, Agent, or Firm—Sidney G. Faber

[57] CLAIM

The ornamental design for a combined sieve and holder with cooking pan insert, as shown and described.

DESCRIPTION

FIG. 1 is a perspective view of the combined sieve and holder with cooking pan insert, showing my new design;

FIG. 2 is an elevational view of the insert of FIG. 6;

FIG. 3 is a perspective view of the combined sieve and holder of FIG. 1 and forming a part of my new design;

FIG. 4 is a side elevational view of the combined sieve and holder of FIG. 3;

FIG. 5 is a bottom plan view of the combined sieve and holder of FIGS. 3 and 4;

FIG. 6 is a perspective view of the cooking pan insert forming part of my new design;

FIG. 7 is a cross-sectional view taken on line 7-7 of FIG. 2 of a portion of the insert illustrating in detail the construction of one of the handles, with the other handle being identical; and

FIG. 8 is a cross-sectional view taken on line 8-8 of FIG. 2 illustrating in detail the construction of the flange on one side of the insert, the other side being identical.

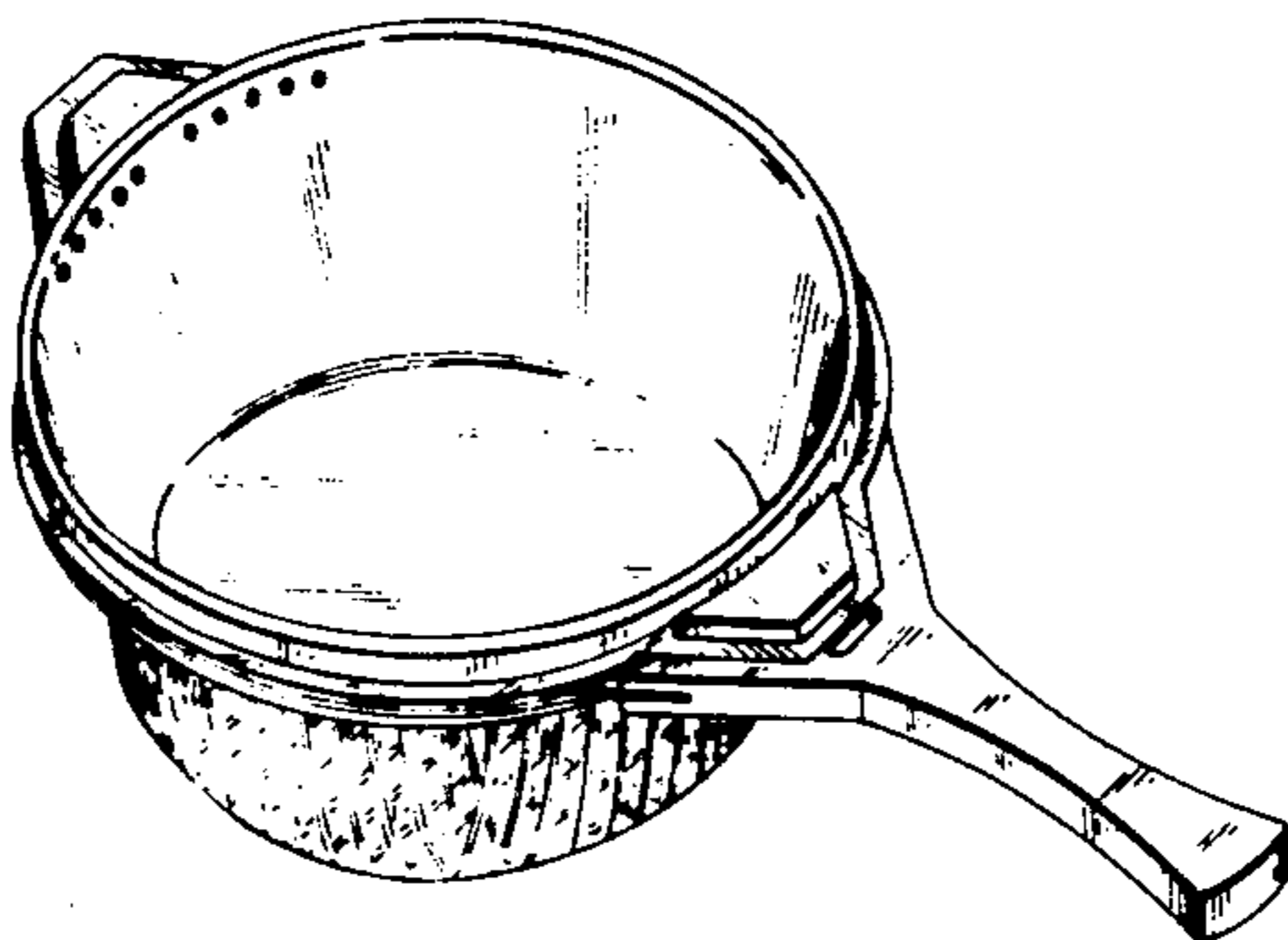
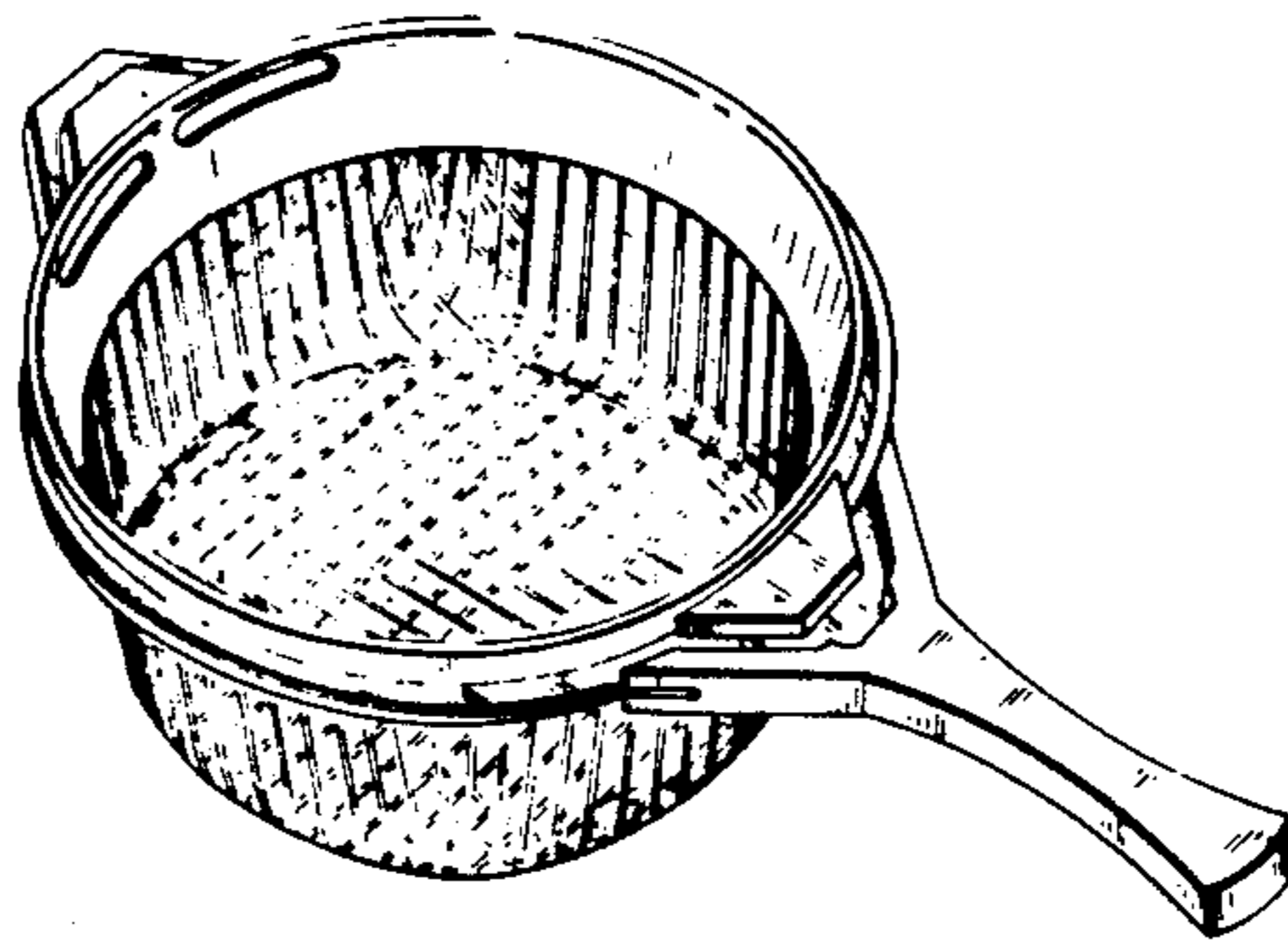


FIG. 6.

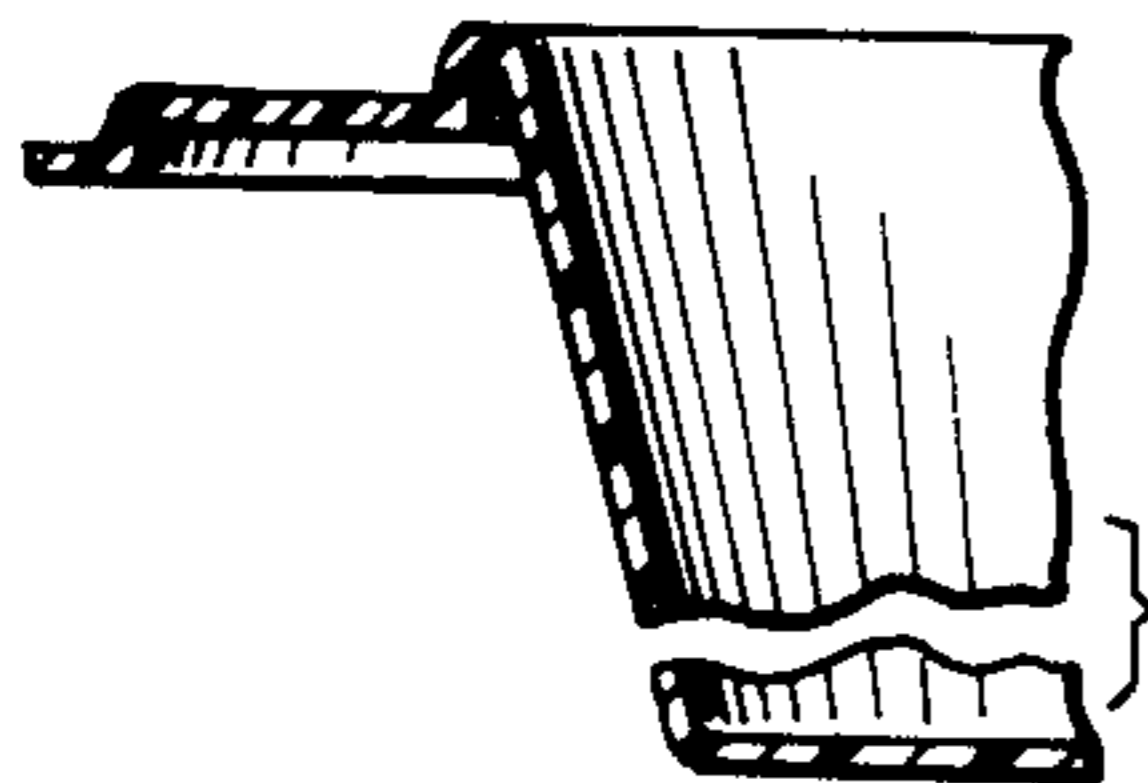
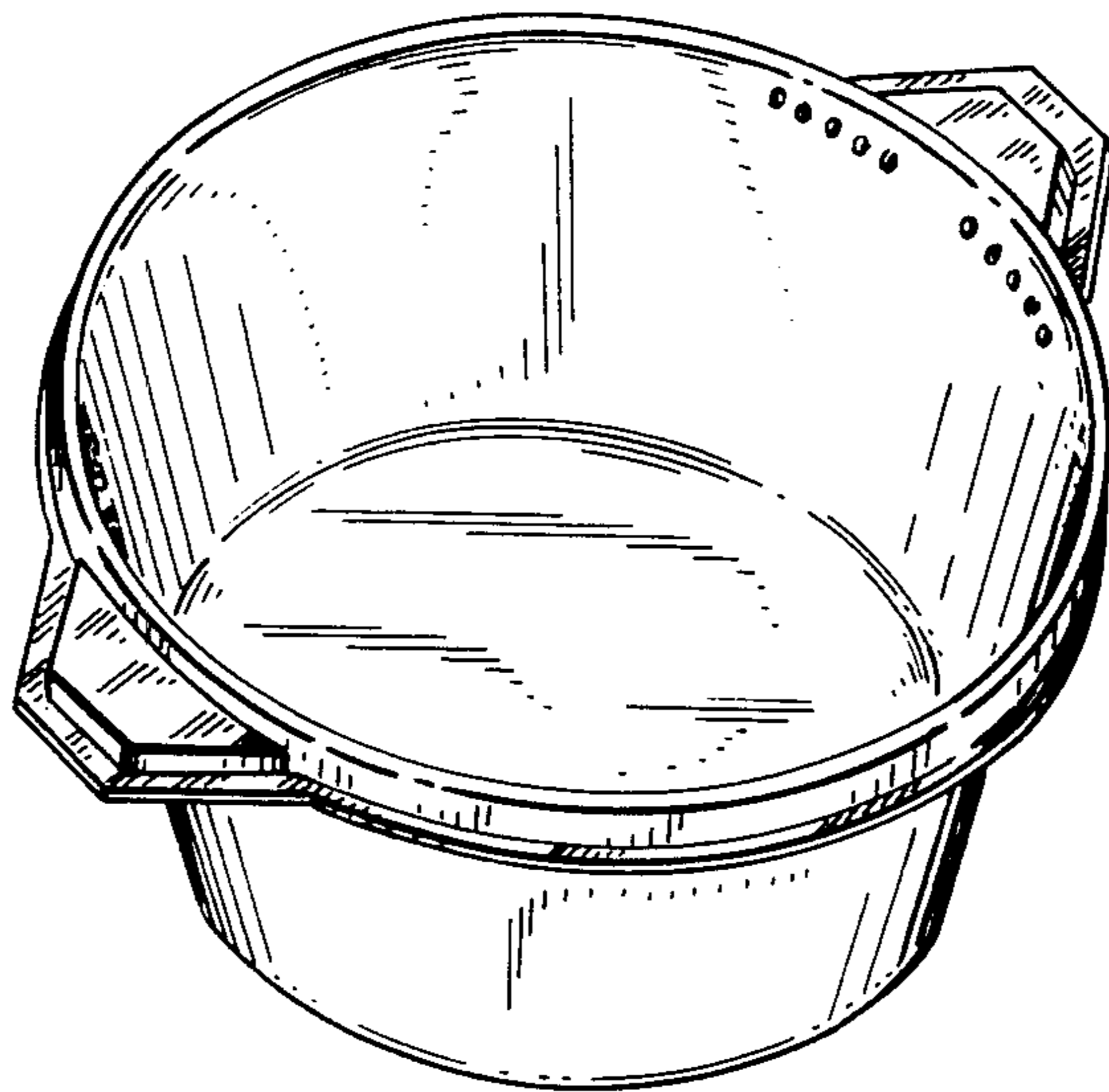


FIG. 7.

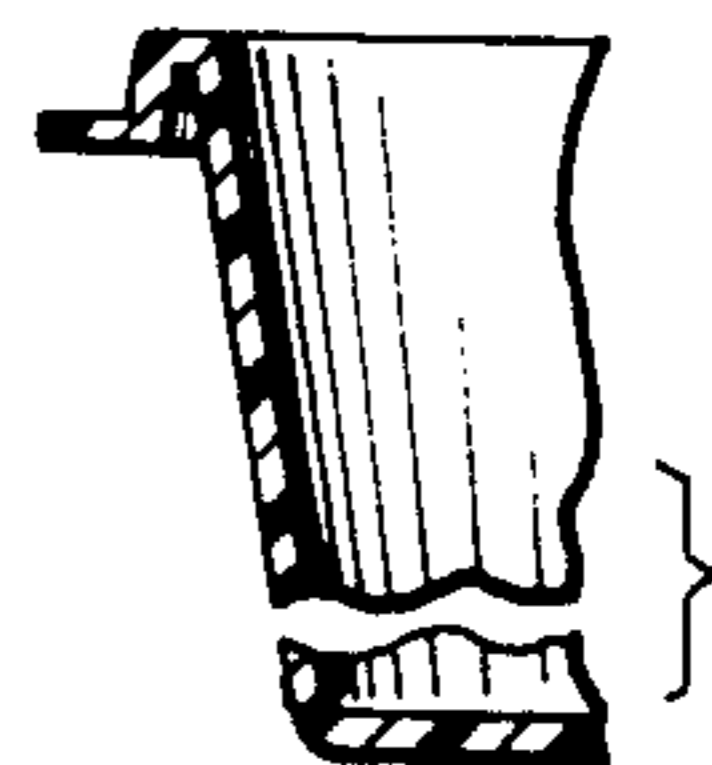


FIG. 8.

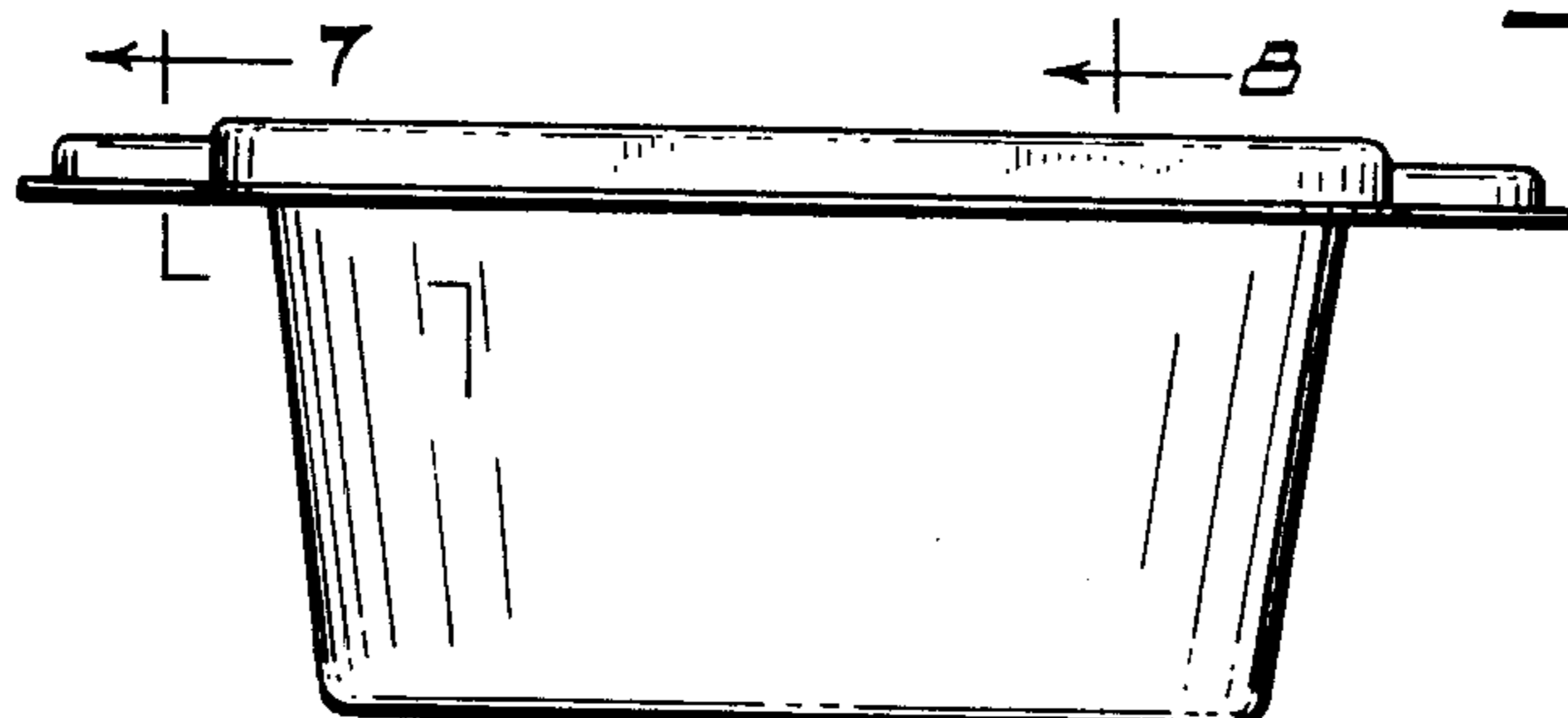


FIG. 9.

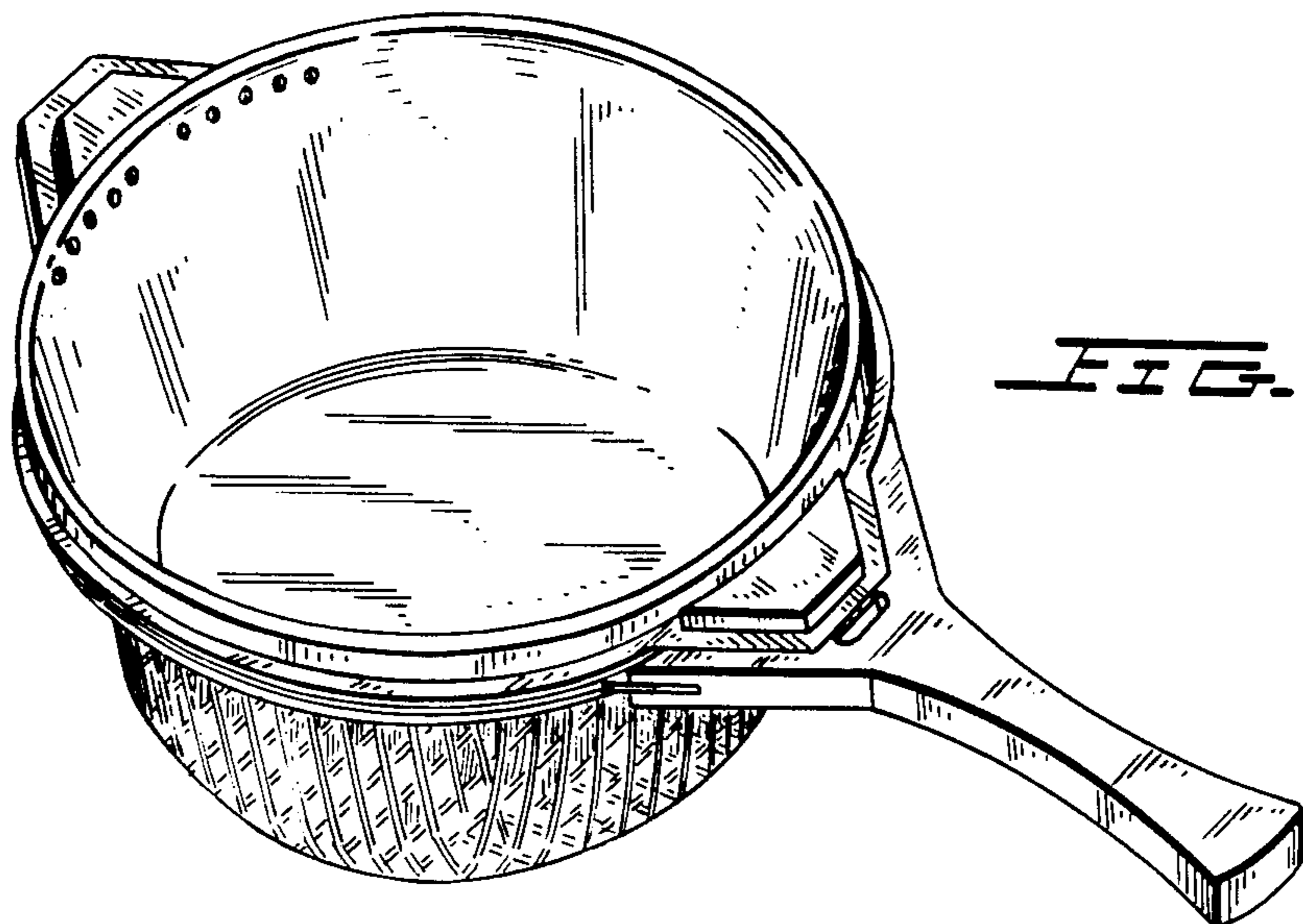


FIG. 1.

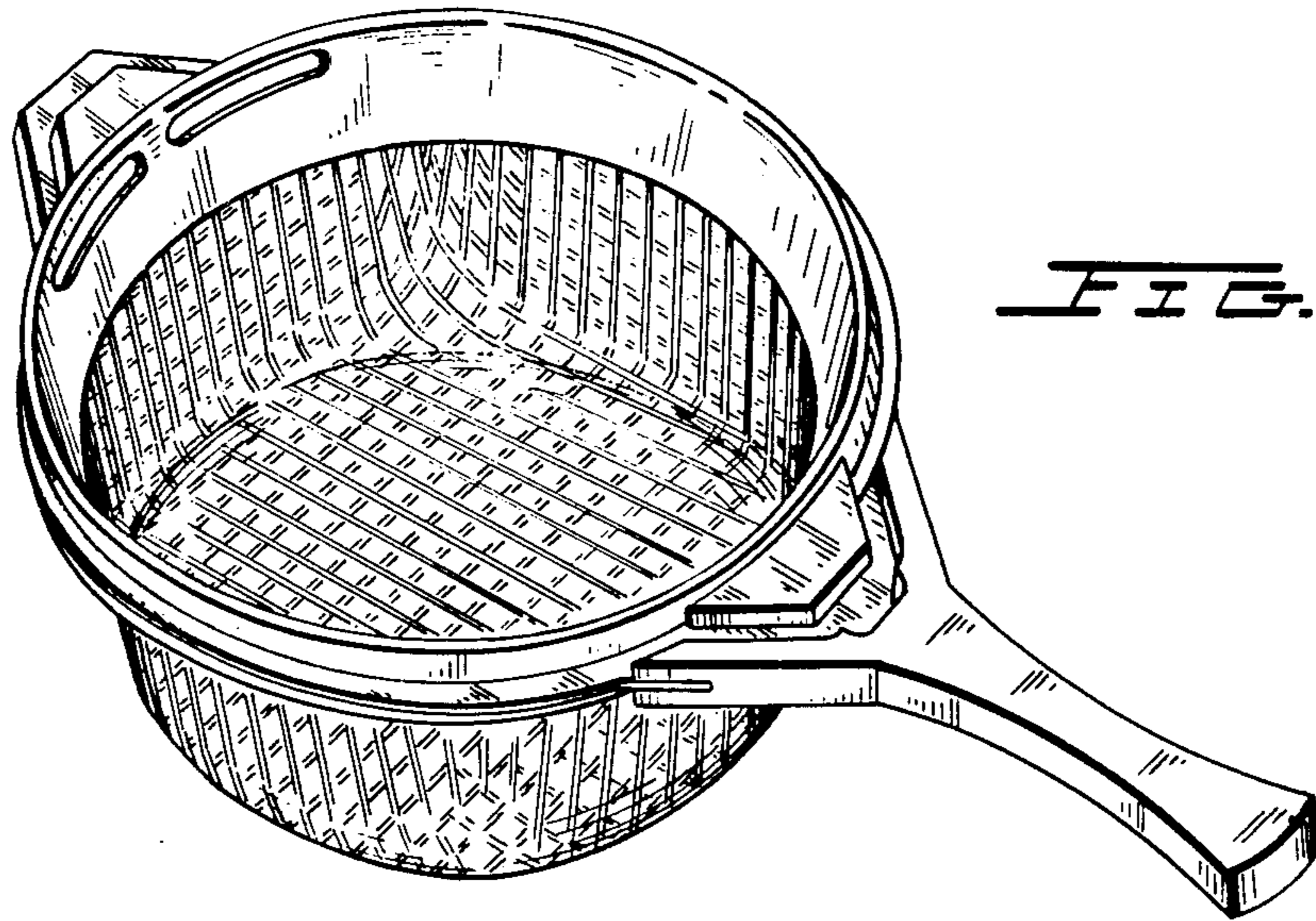


FIG. 3.

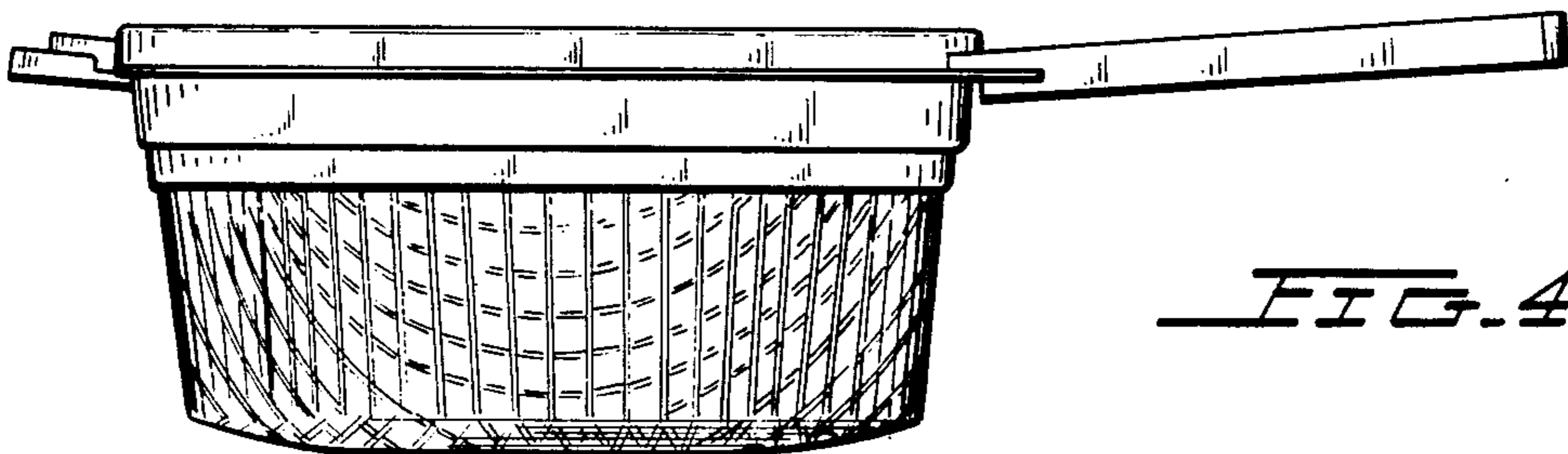


FIG. 4.

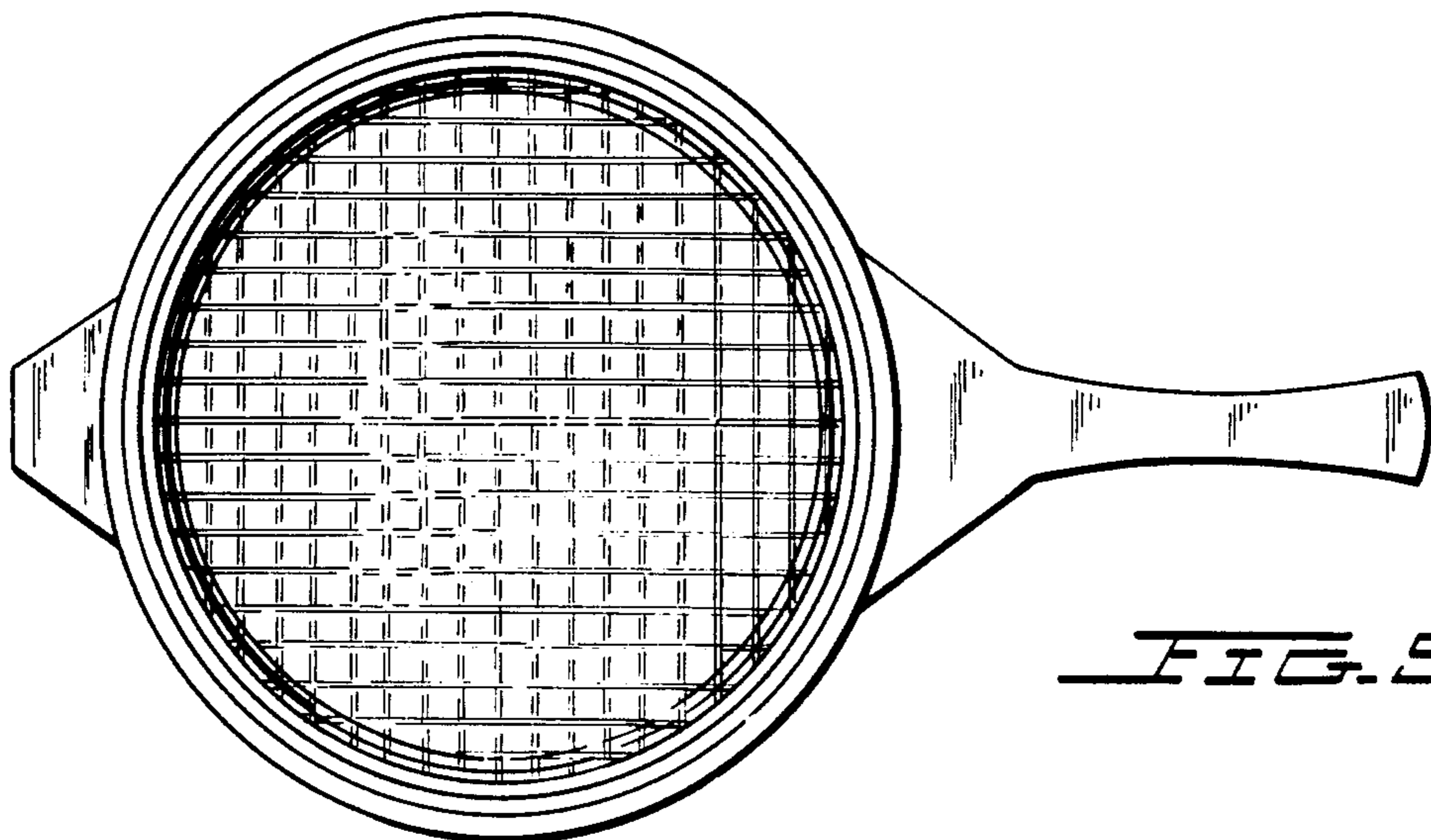


FIG. 5.