

[54] DISPLAY RACK AND BOTTLES THEREFOR

[76] Inventor: Richard C. Landwehr, 14890 W. 53rd Ave., Golden, Colo. 80401

[**] Term: 14 Years

[21] Appl. No.: 747,562

[22] Filed: Dec. 6, 1976

[51] Int. Cl. D20-02

[52] U.S. Cl. D6/113; D6/188

[58] Field of Search D6/20, 28, 85, 87, 93, D6/113, 132, 134-137, 179, 182, 186, 188; 211/74, 75, 113, 115, 117, 118; 248/317, 318, 339; D7/70, 71

[56] References Cited

U.S. PATENT DOCUMENTS

D. 143,181 12/1945 Brodeur D6/85

D. 159,206 7/1950 Hogan D6/186
D. 170,615 10/1953 Troha D7/70

FOREIGN PATENT DOCUMENTS

986784 3/1965 United Kingdom 211/74

Primary Examiner—Wallace R. Burke

Assistant Examiner—B. J. Bullock

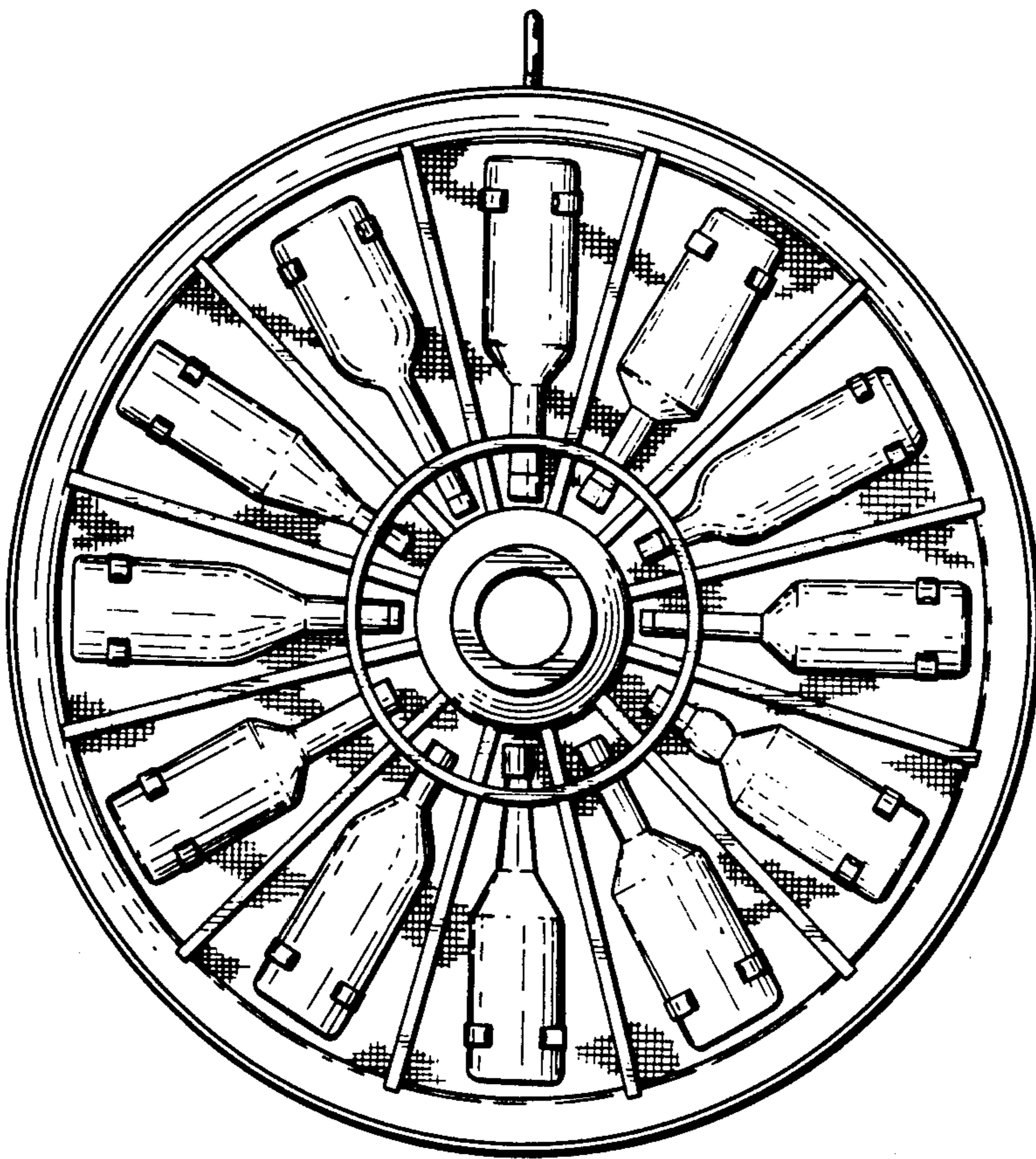
Attorney, Agent, or Firm—Ralph F. Crandell

[57] CLAIM

The ornamental design for a display rack and bottles therefor, as shown and described.

DESCRIPTION

FIG. 1 is a front elevational view of a display rack and bottles therefor showing my new design; FIG. 2 is a side elevational view taken from the right of FIG. 1, the side opposite being a mirror image thereof; FIG. 3 is a rear elevational view thereof.



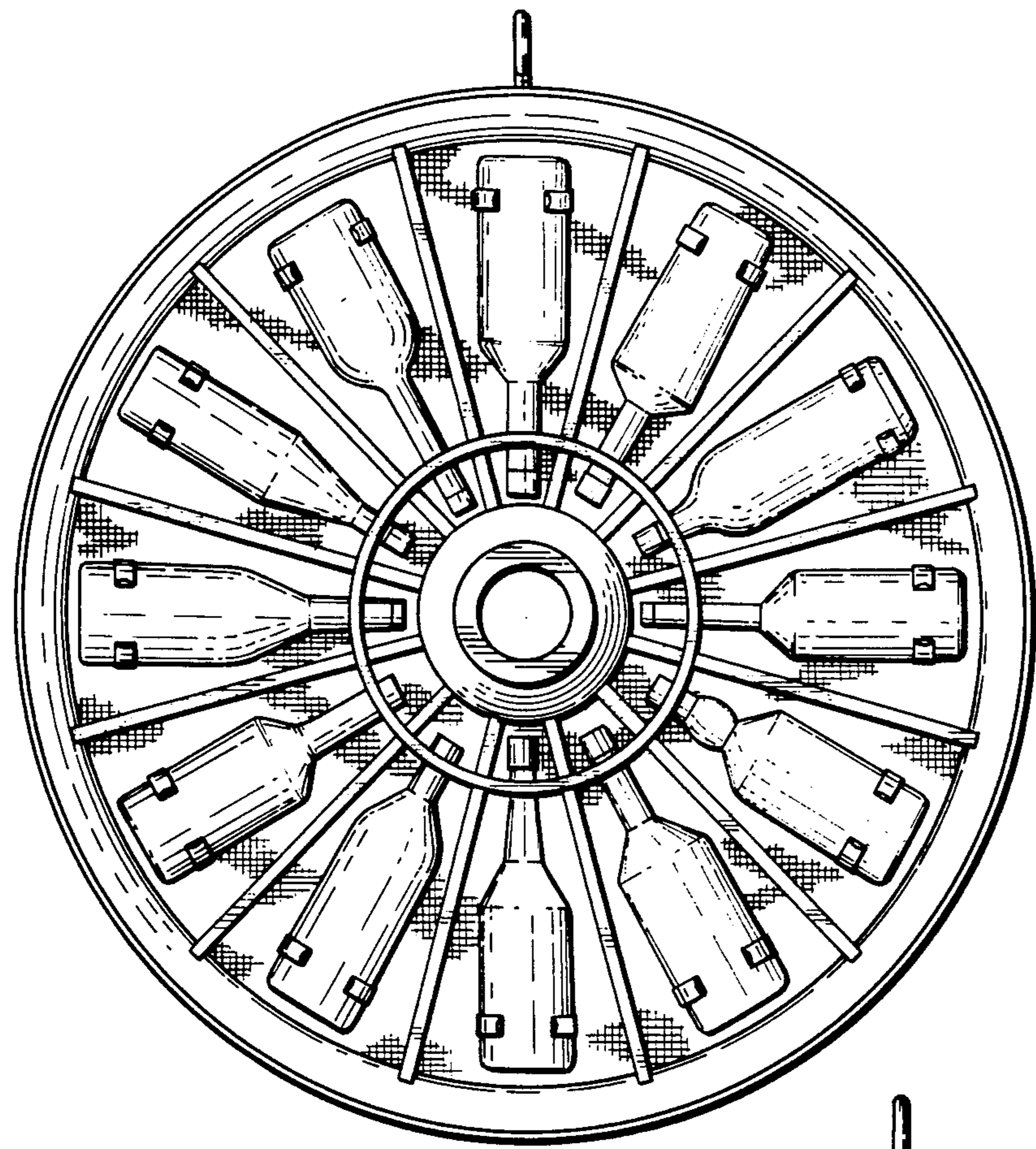


Fig. 1

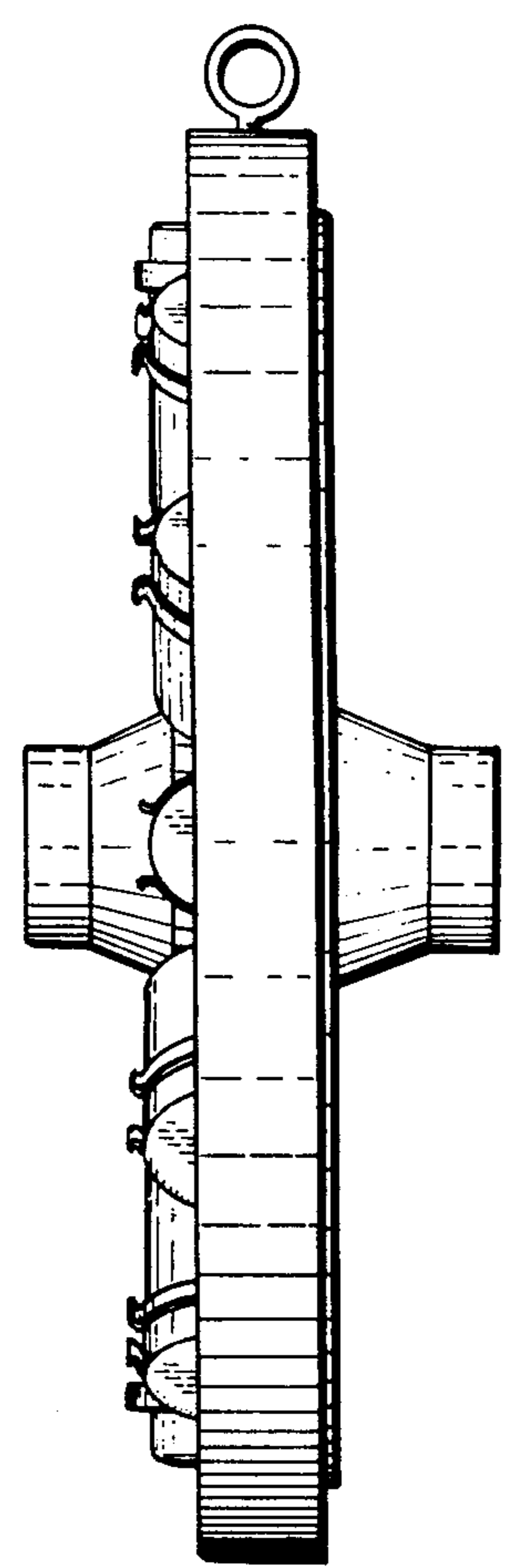


Fig. 2

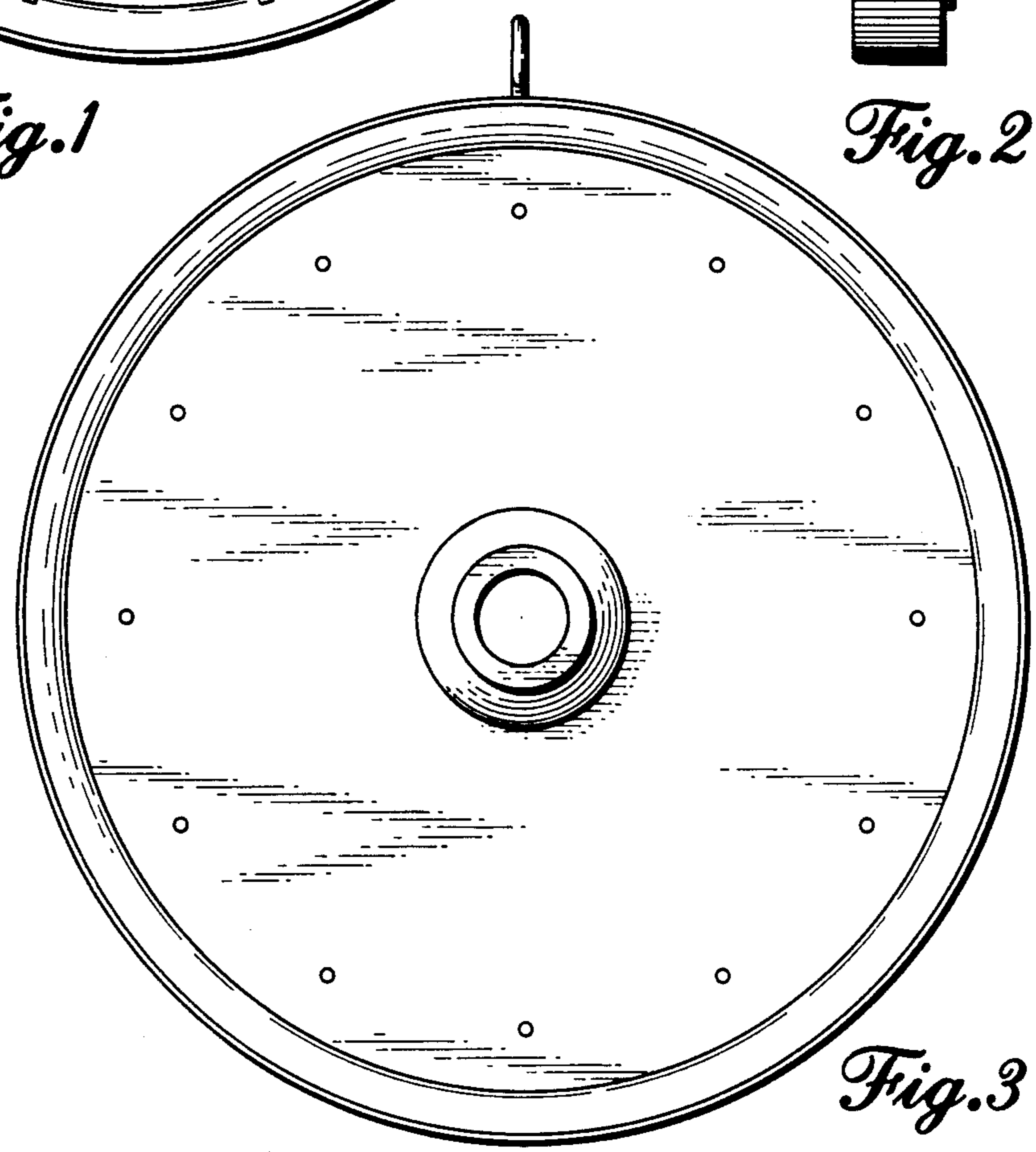


Fig. 3