

[54] WALL MOUNTED BRACKET FOR A
HANDHELD SHOWERHEAD

[75] Inventor: Clifford E. Grube, Niles, Ill.

[73] Assignee: Associated Mills, Inc., Ill.

[**] Term: 14 Years

[21] Appl. No.: 776,005

[22] Filed: Mar. 9, 1977

[51] Int. Cl. D23—02; D8—08

[52] U.S. Cl. D6/86; D6/125;
D8/373

[58] Field of Search D6/86, 114, 125, 112;
D8/373; 248/75

[56] References Cited

U.S. PATENT DOCUMENTS

2,072,345	3/1937	Schneider	248/75
2,873,999	2/1959	Webb	248/75
3,826,454	7/1974	Zieger	248/75

3,979,096 9/1976 Zieger 248/75

Primary Examiner—Wallace R. Burke

Assistant Examiner—B. J. Bullock

Attorney, Agent, or Firm—George B. Newitt

[57] CLAIM

The ornamental design for a wall mounted bracket for a handheld showerhead, as shown and described.

DESCRIPTION

FIG. 1 is a reduced prospective view of a wall mounted bracket for a handheld showerhead showing my new design;

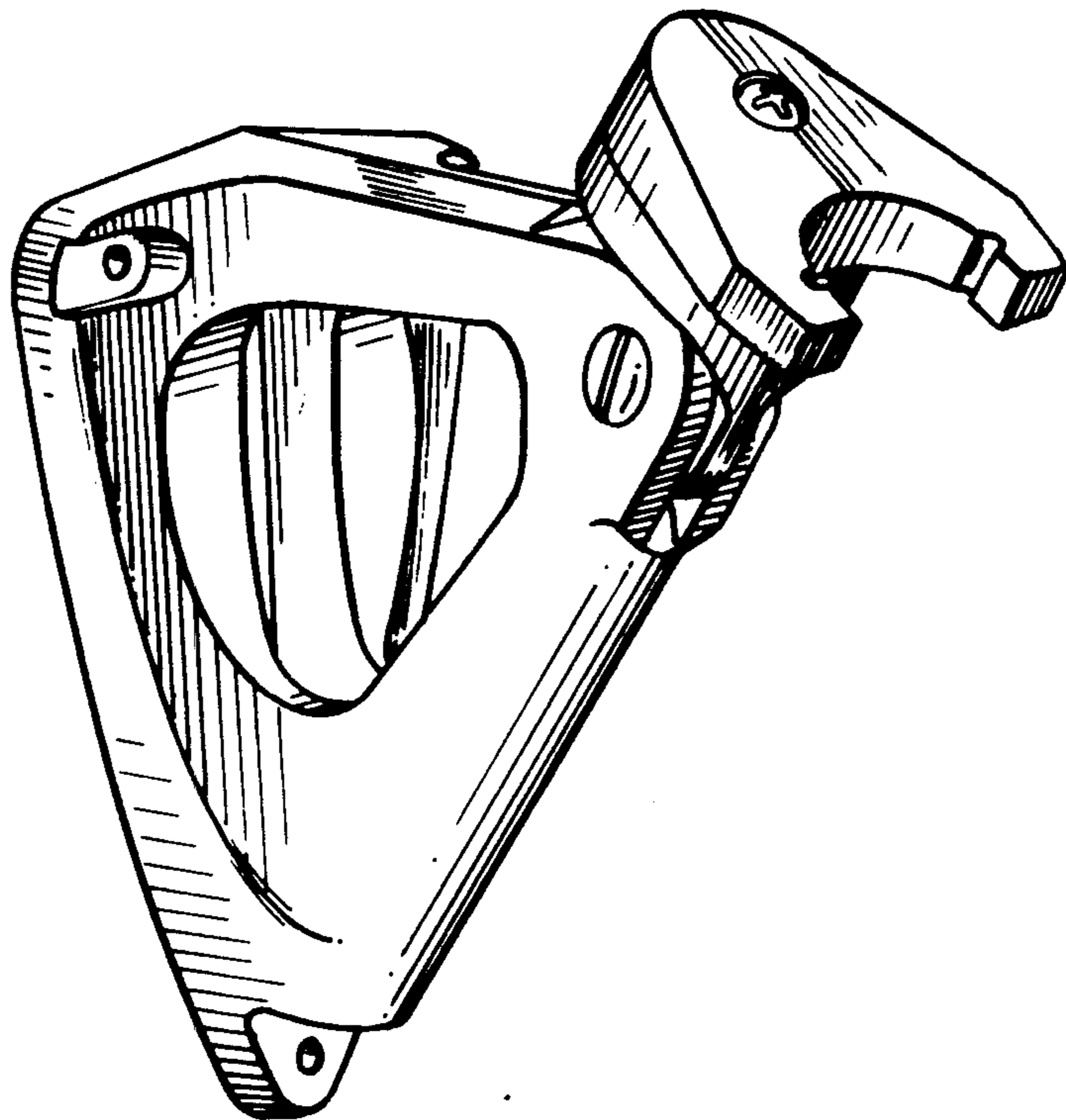
FIG. 2 is a side elevational view taken from the right of FIG. 1;

FIG. 3 is a fragmentary elevational view taken on line 3—3 of FIG. 2;

FIG. 4 is a top plan view thereof;

FIG. 5 is a front elevational view thereof; and

FIG. 6 is a bottom plan view thereof, the rear is flat and unornamented;



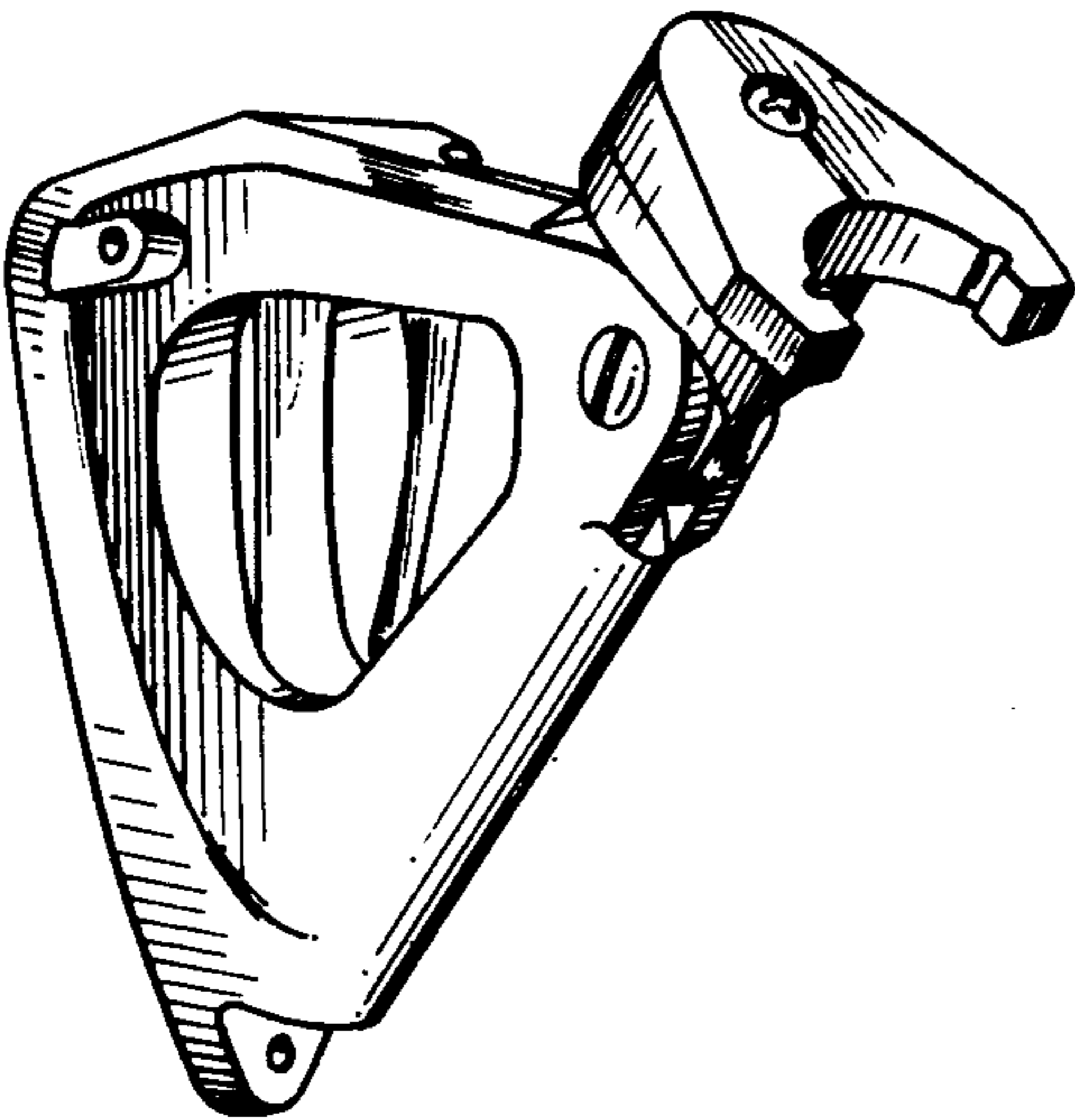


Fig. 1

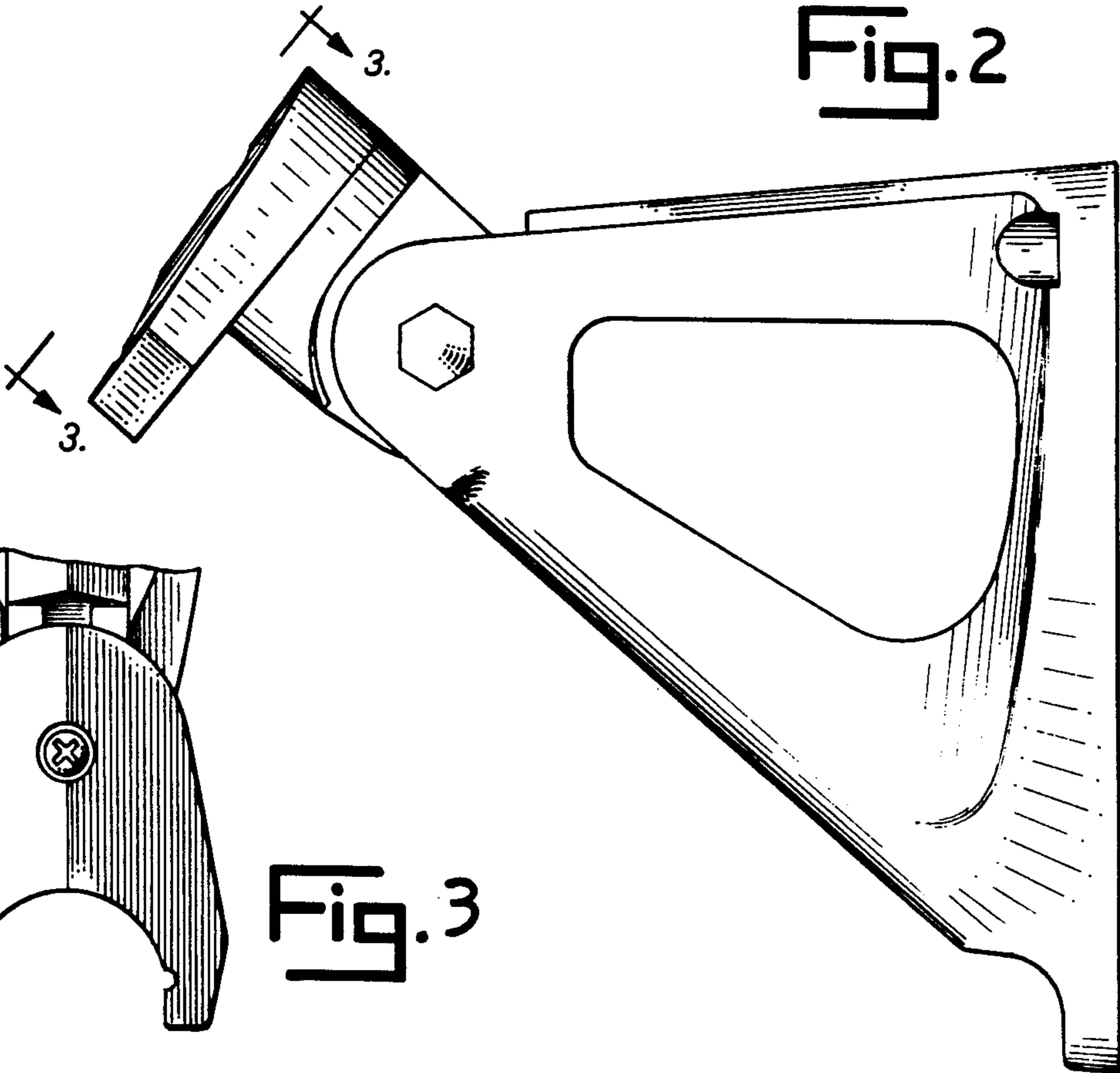


Fig. 2

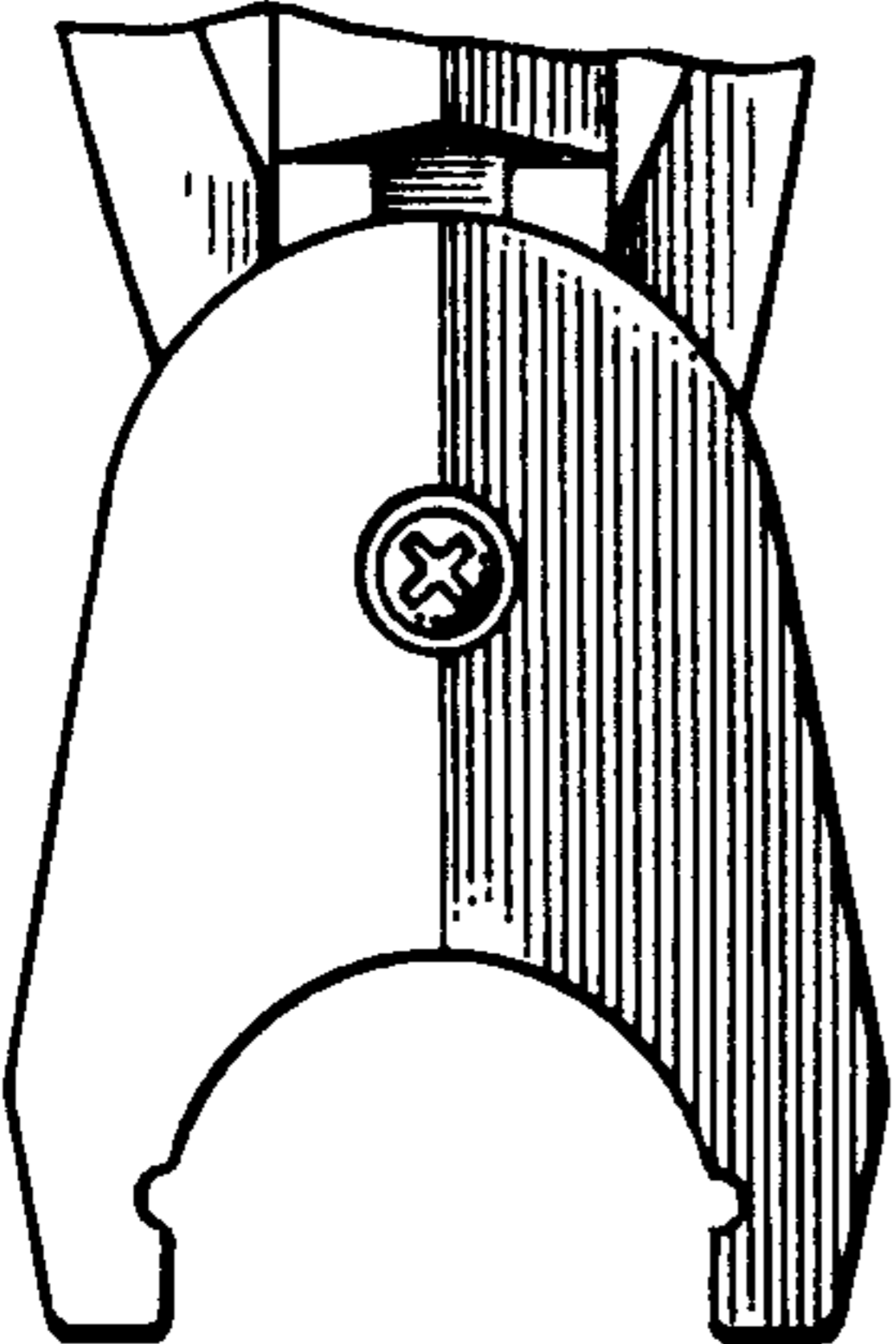


Fig. 3

Fig. 4

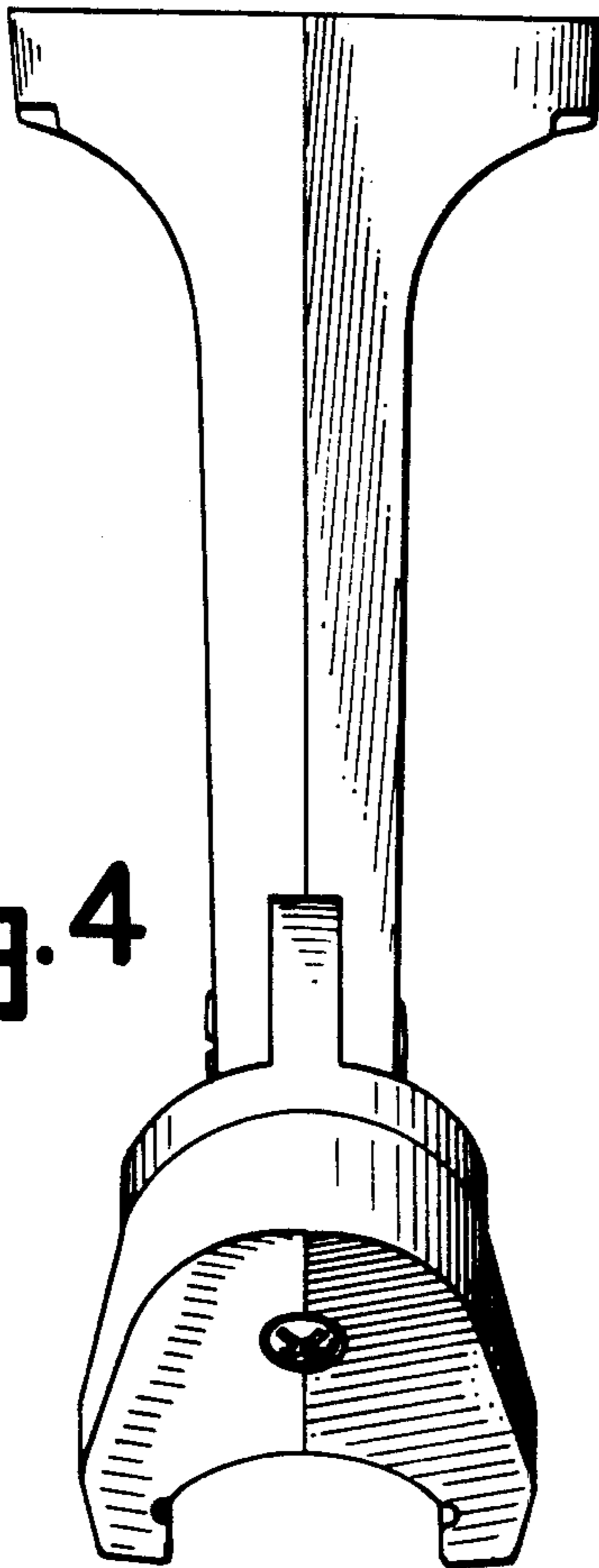


Fig. 5

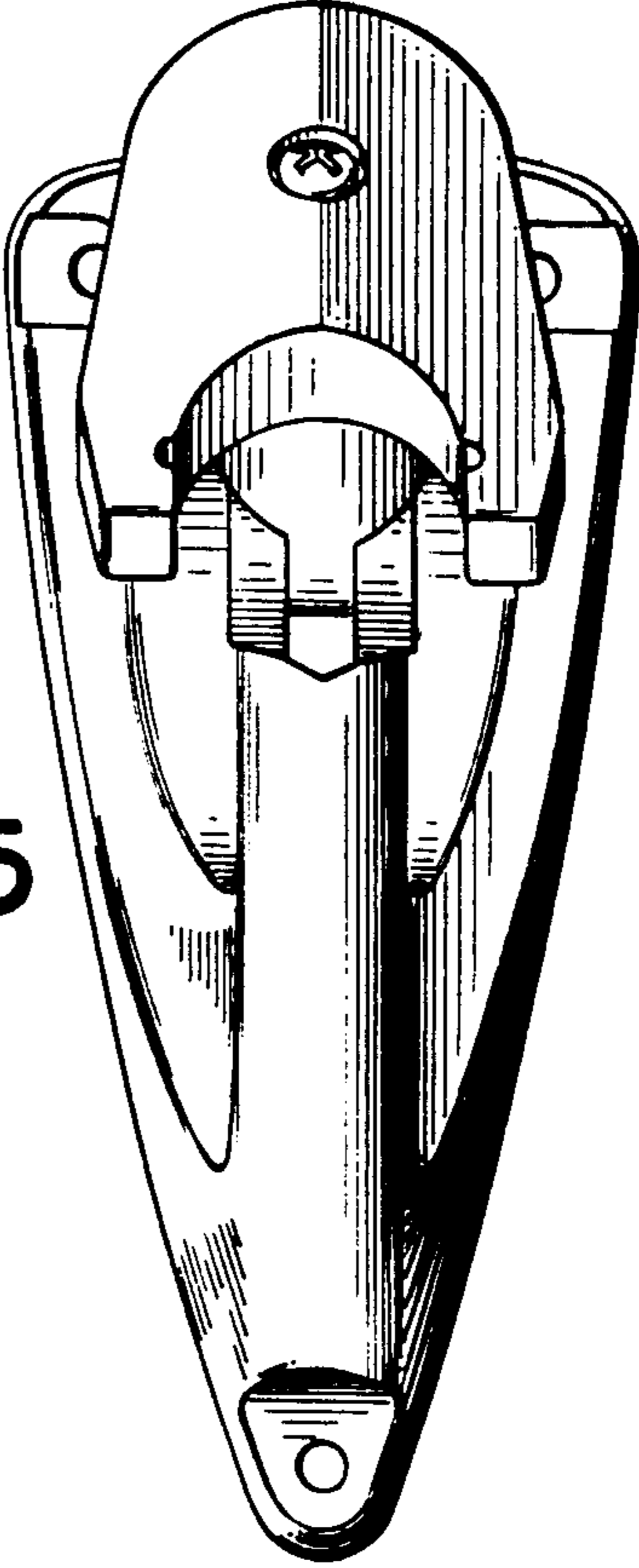


Fig. 6

