

[54] COLLAPSIBLE BABY CHAIR

[76] Inventor: F. R. Van Noord, Valkenboskdade  
655, The Hague, Netherlands

[\*\*] Term: 14 Years

[21] Appl. No.: 752,847

[22] Filed: Dec. 21, 1976

[30] Foreign Application Priority Data

Jun. 22, 1976 [XB] Benelux ..... 7651124

[51] Int. Cl. .... D6-01

[52] U.S. Cl. .... D6/6; D6/8

[58] Field of Search ..... D6/7, 8, 178, 5, 6;  
D12/25, 130

[56] References Cited

U.S. PATENT DOCUMENTS

D. 193,613 9/1962 Hamilton ..... D6/7  
D. 198,368 6/1964 McRae ..... D6/8  
2,760,208 8/1956 Mussells ..... D6/178 X

OTHER PUBLICATIONS

Kewaunee Equip. Co. Cat., X-Frame Walker, No. X-10.

Primary Examiner—Bruce W. Dunkins  
Attorney, Agent, or Firm—George R. Newitt

[57] CLAIM

The ornamental design for a COLLAPSIBLE BABY CHAIR, as shown.

DESCRIPTION

FIG. 1 is a right front perspective view of the folding baby-chair embodying the design of the present invention;  
FIG. 2 is a front perspective view of the folding baby-chair in folded position;  
FIG. 3 is a front elevational view of the folding baby-chair;  
FIG. 4 is a left elevational view of the folding baby-chair;  
FIG. 5 is a plan view of the folding baby-chair; and  
FIG. 6 is a rear elevational view of the folding baby-chair.

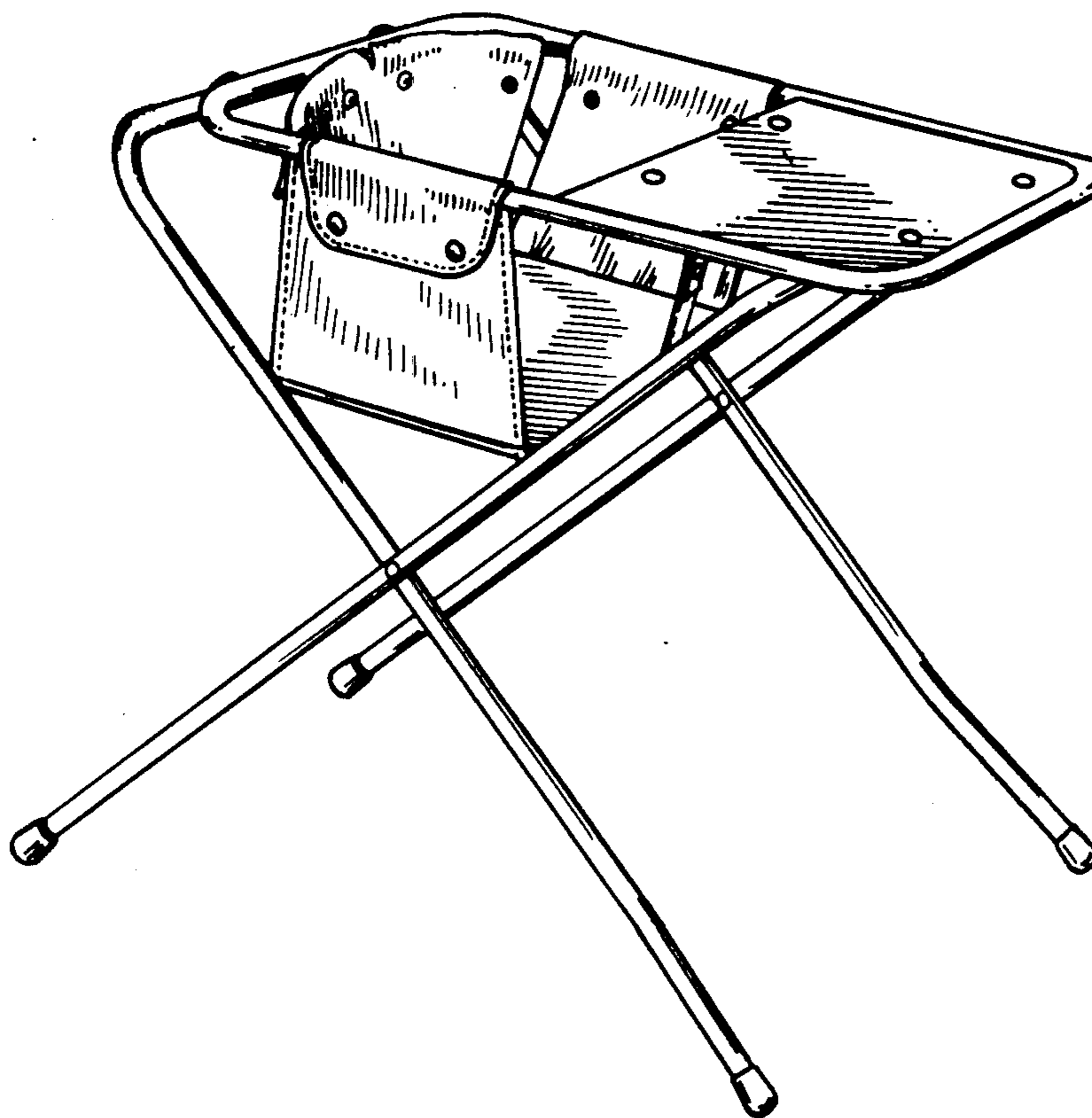


Fig. 1

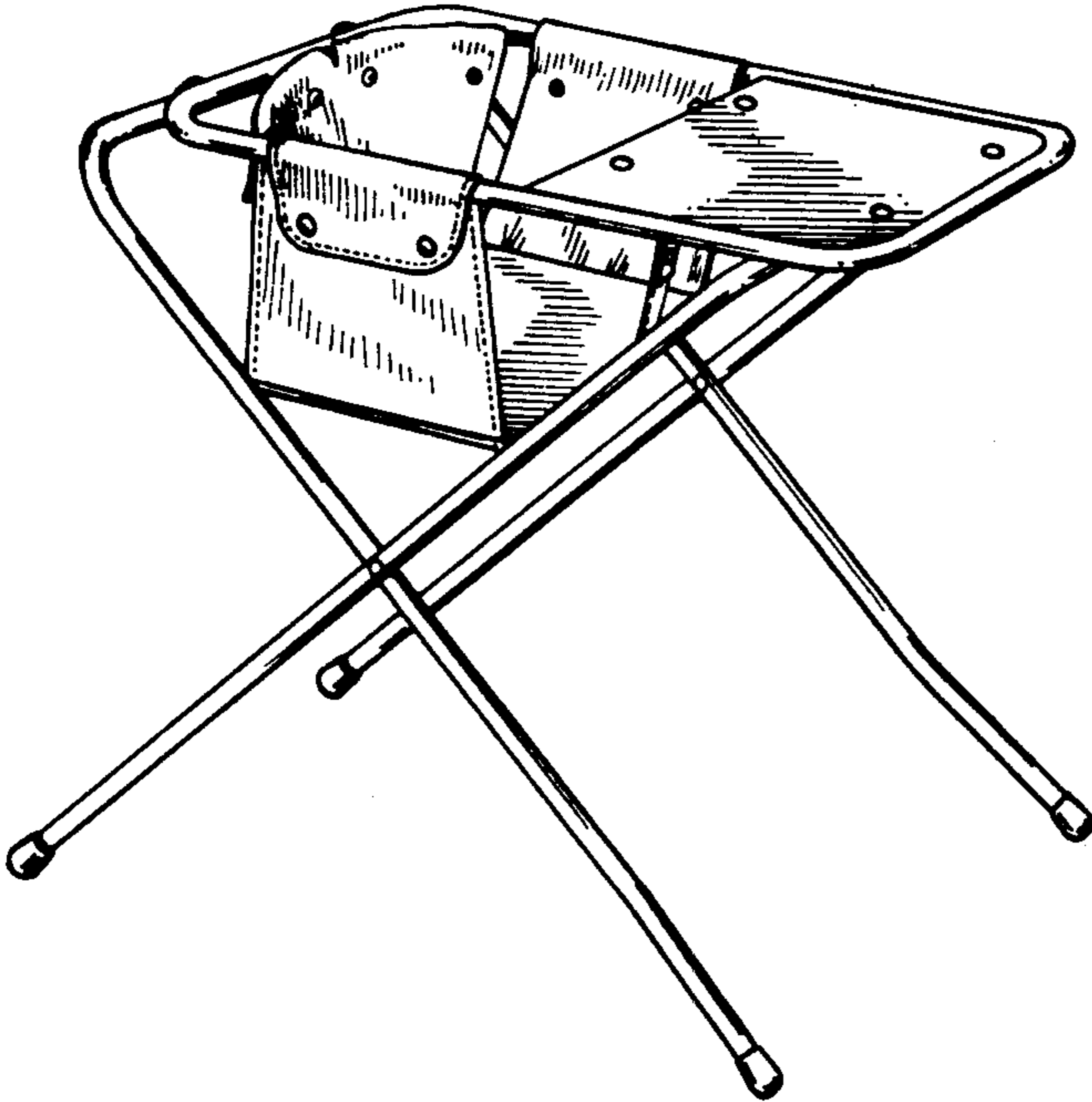


Fig. 2

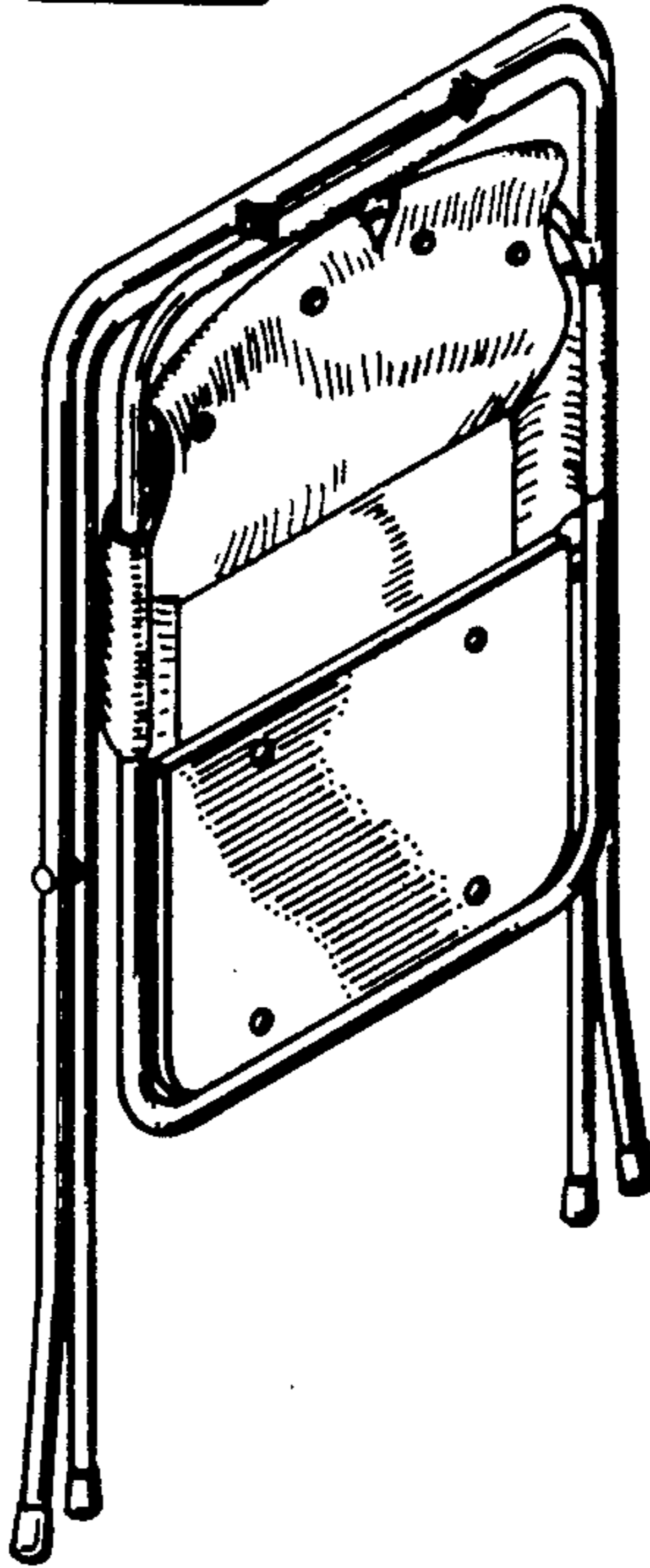


Fig. 3

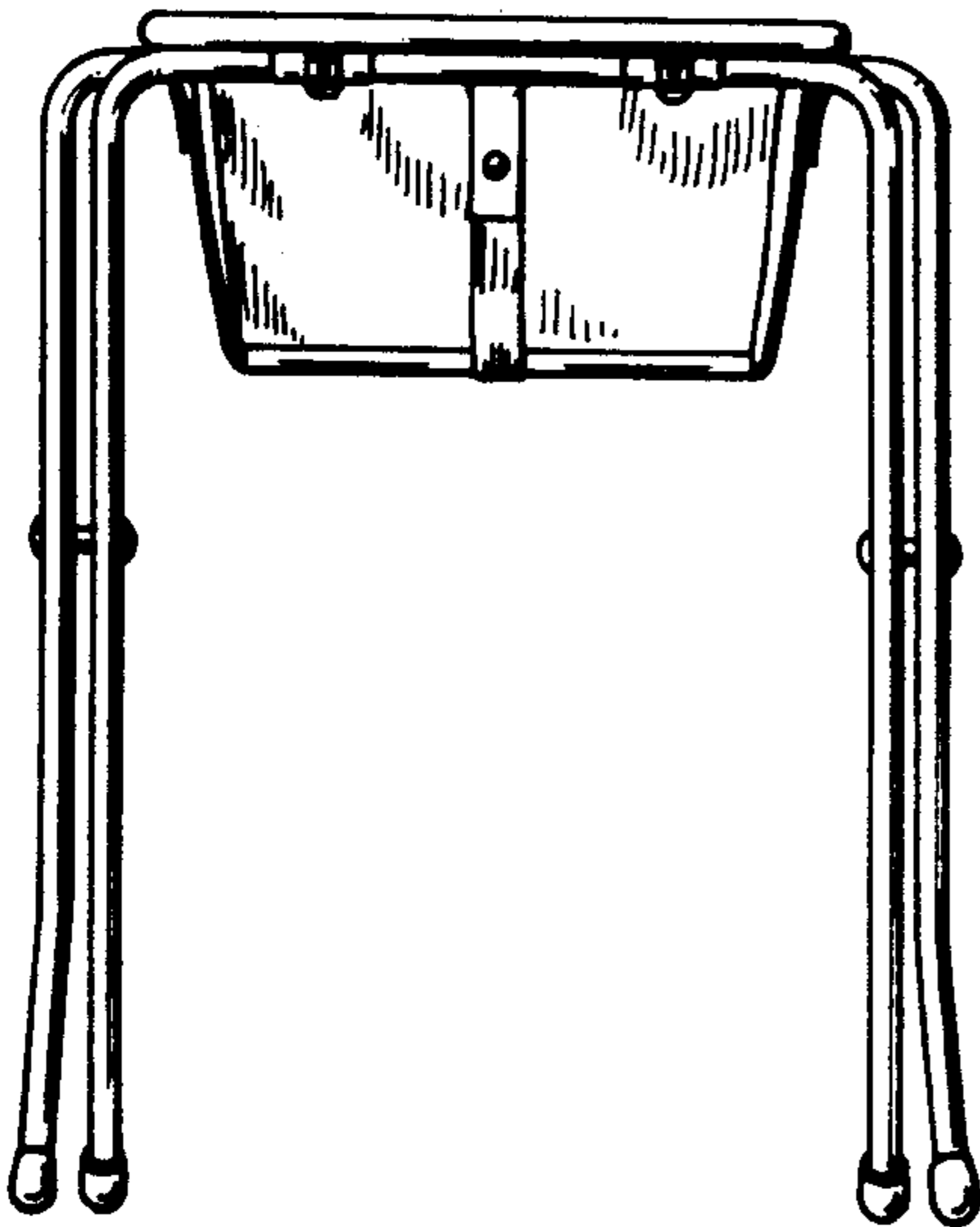


Fig. 4

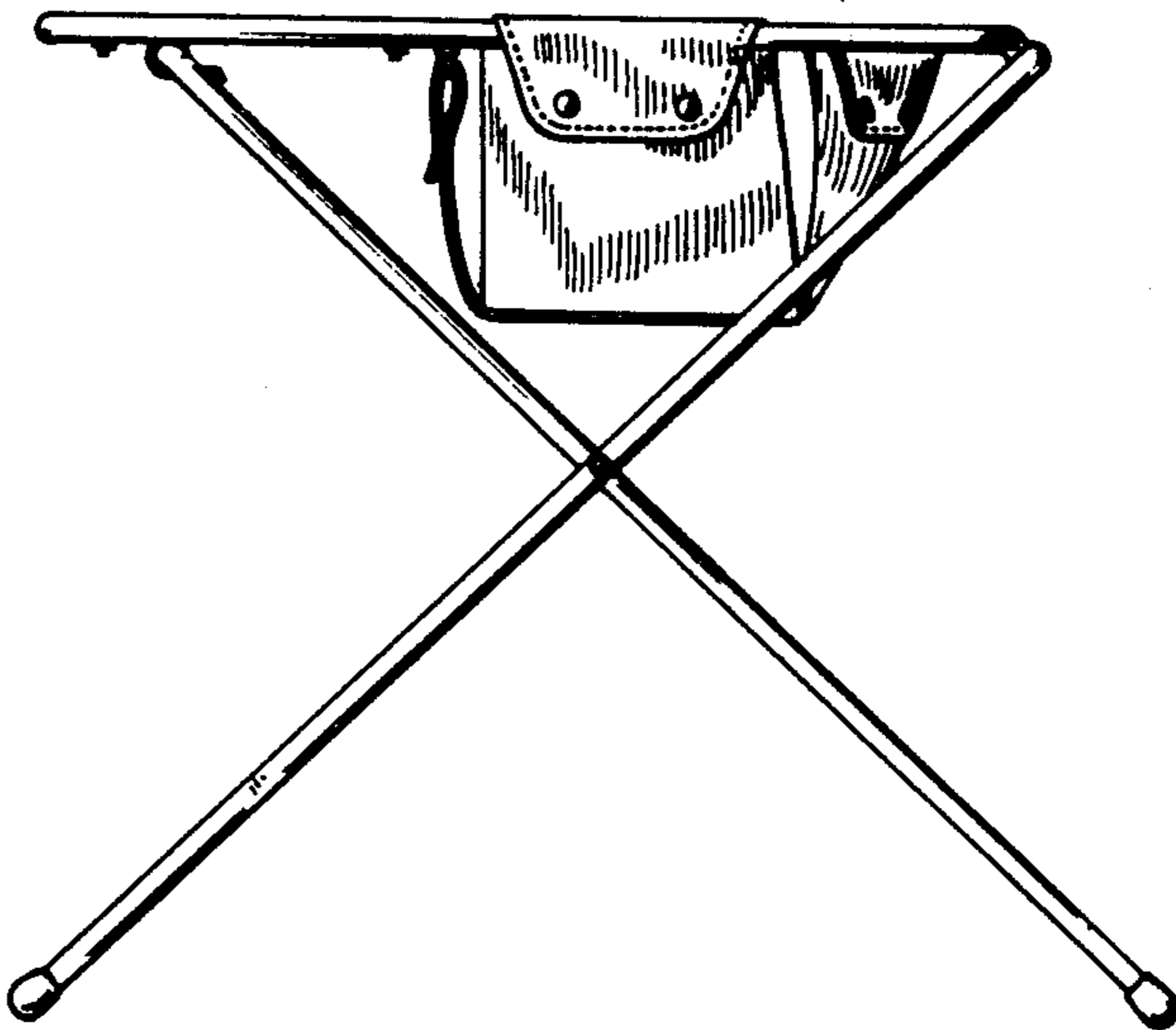


Fig. 5

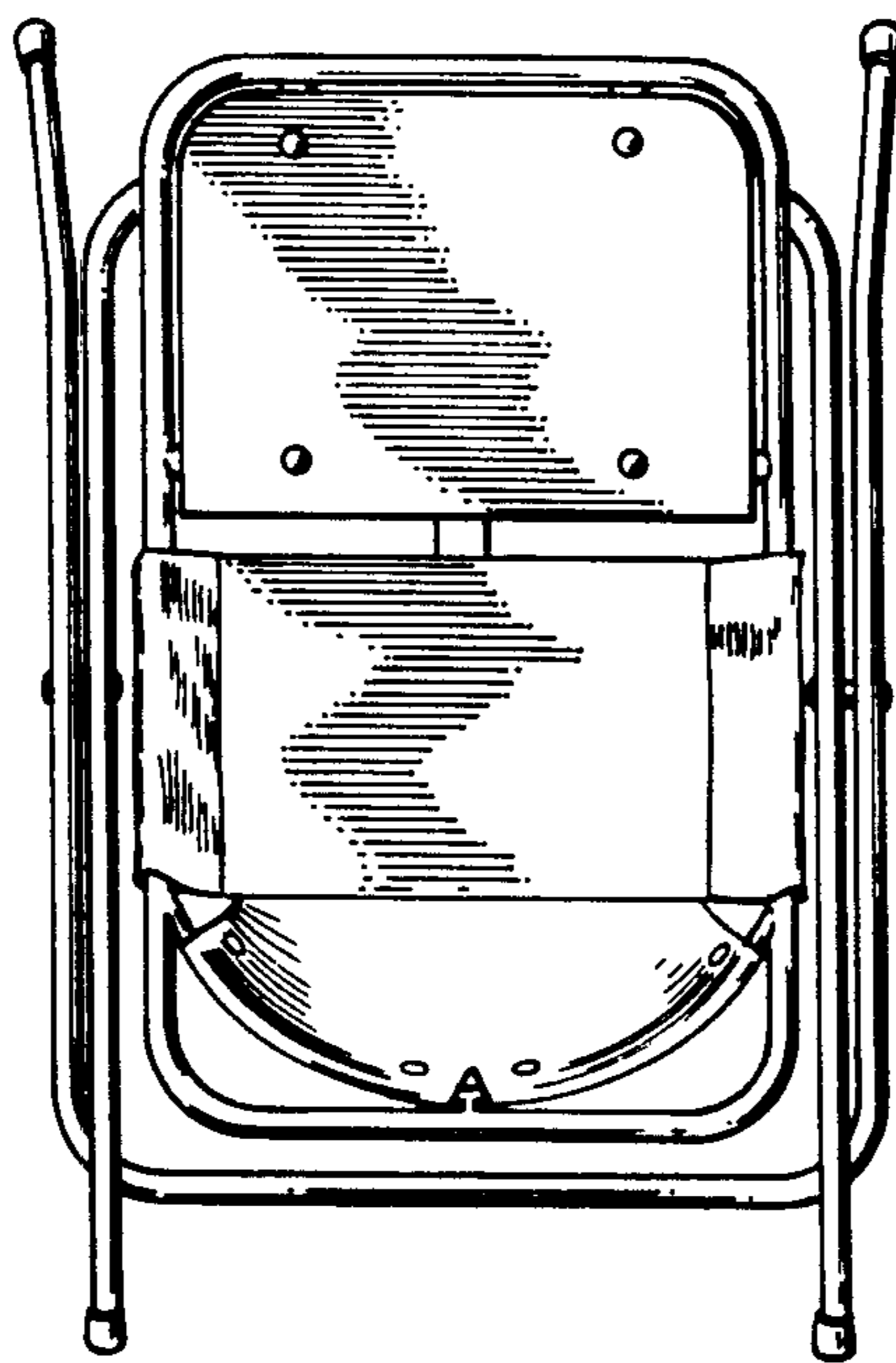


Fig. 6

