

[54] COMBINATION WORK BENCH AND BED

[76] Inventor: George S. Reppas, 1030 San Raymundo Rd., Hillsborough, Calif. 94010

[**] Term: 14 Years

[21] Appl. No.: 753,546

[22] Filed: Dec. 22, 1976

[51] Int. Cl. D6-05

[52] U.S. Cl. D6/4; D6/79; D6/114; D6/178

[58] Field of Search D6/64, 79; 5/2 R, 2 B, 5/3, 6, 8, 5

[56] References Cited

U.S. PATENT DOCUMENTS

- D. 165,678 1/1952 Cawthon D6/64
- D. 217,704 6/1970 Ruben D6/79

- D. 223,331 4/1972 Neerinx D6/79
- D. 241,287 9/1976 Earle et al. D6/79 X

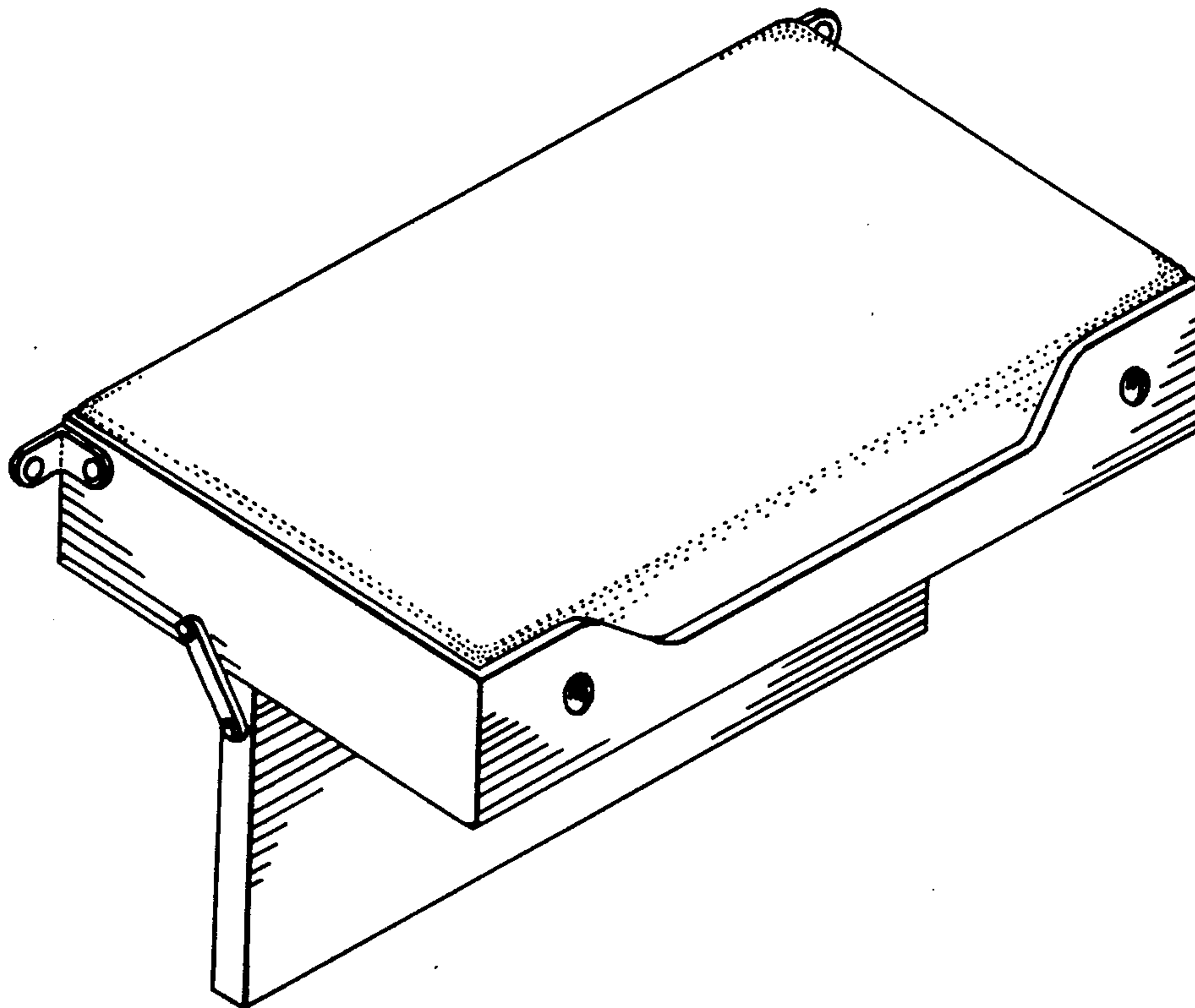
Primary Examiner—Bruce W. Dunkins
Attorney, Agent, or Firm—Paul D. Flehr

[57] CLAIM

The ornamental design for a combination work bench and bed, as shown and described.

DESCRIPTION

FIG. 1 is a perspective view of the combination work bench and bed shown in the bed configuration.
 FIG. 2 is a front elevational view of the combination work bench and bed shown in the bed configuration.
 FIG. 3 is a perspective view of the combination work bench and bed shown in the work bench configuration.
 FIG. 4 is a side elevational view of the combination work bench and bed shown in the work bench configuration; the end not shown in this figure is a mirror image of the end which is shown.



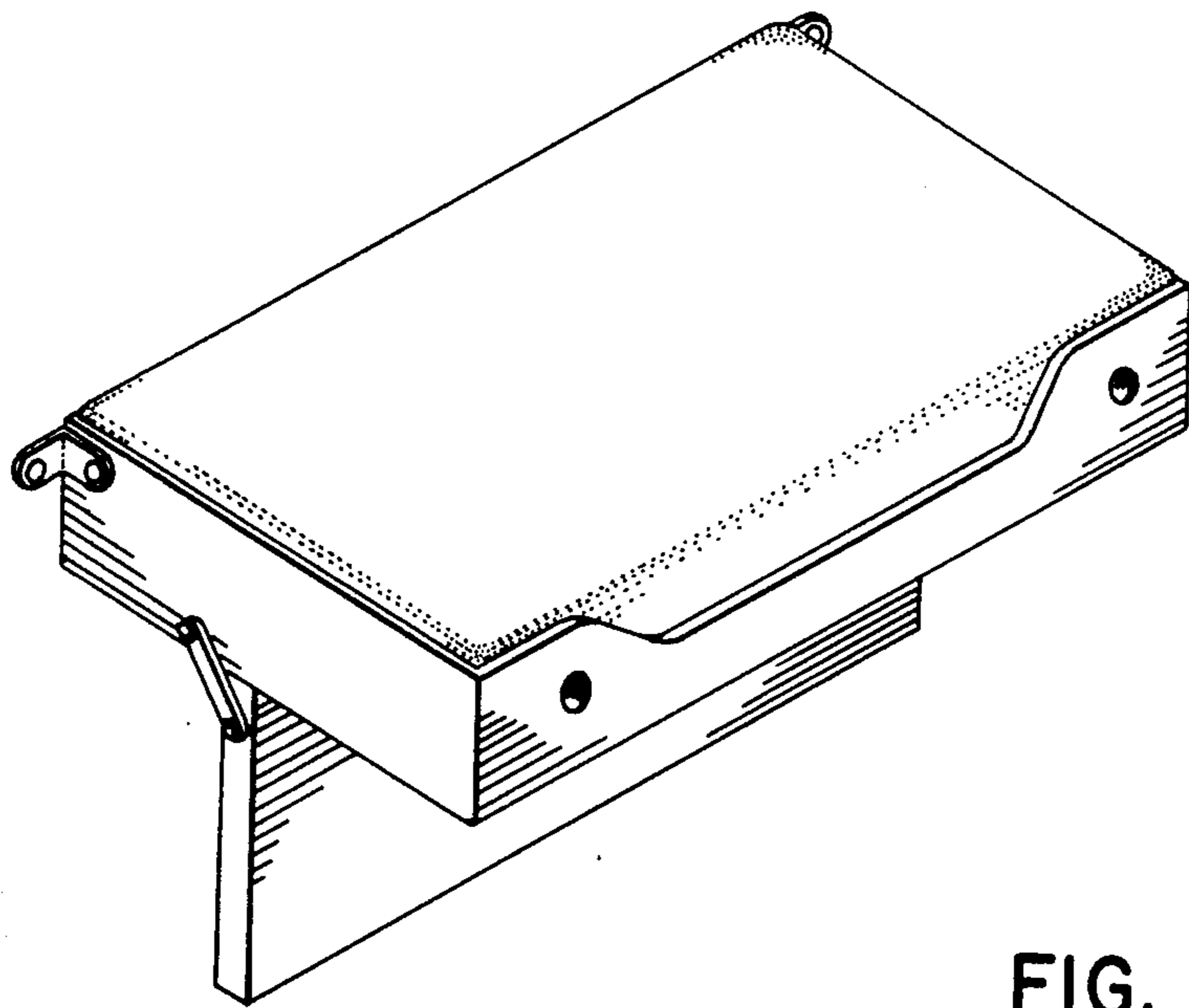


FIG. 1

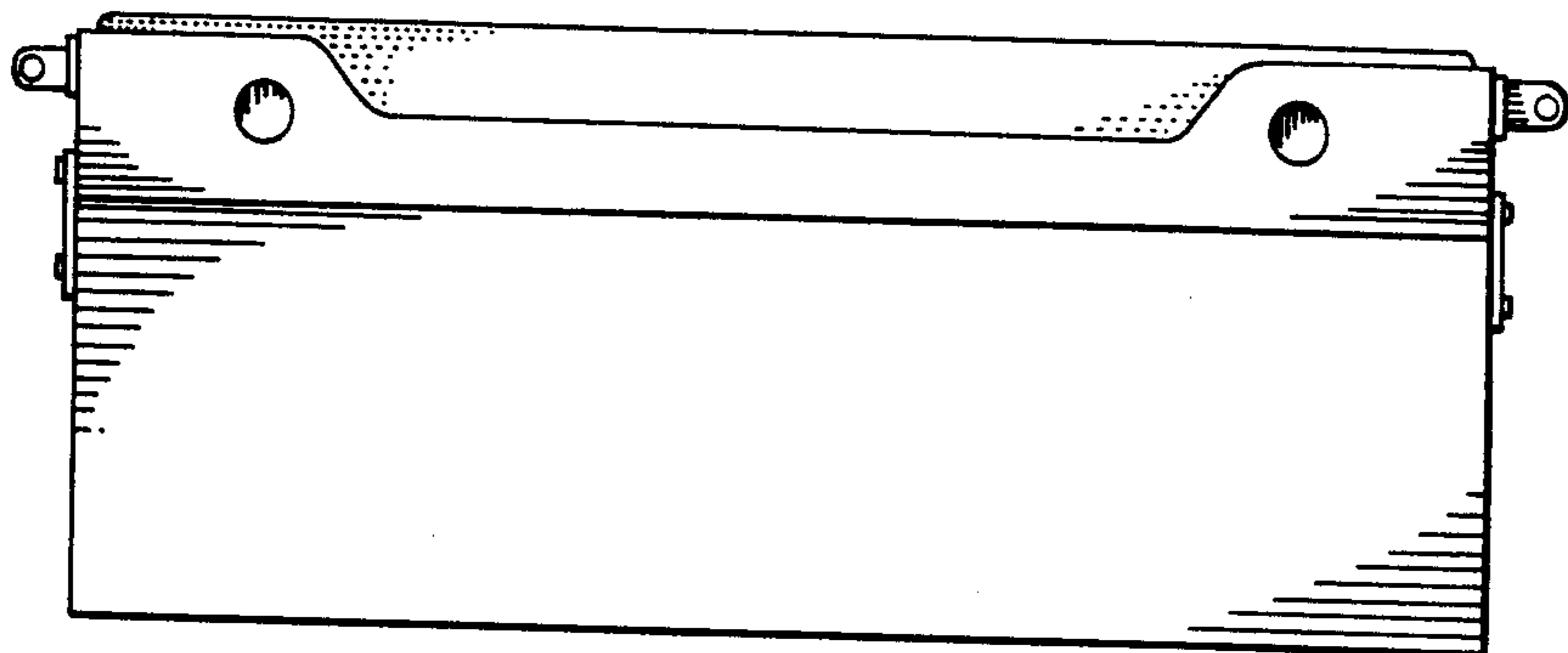


FIG. 2

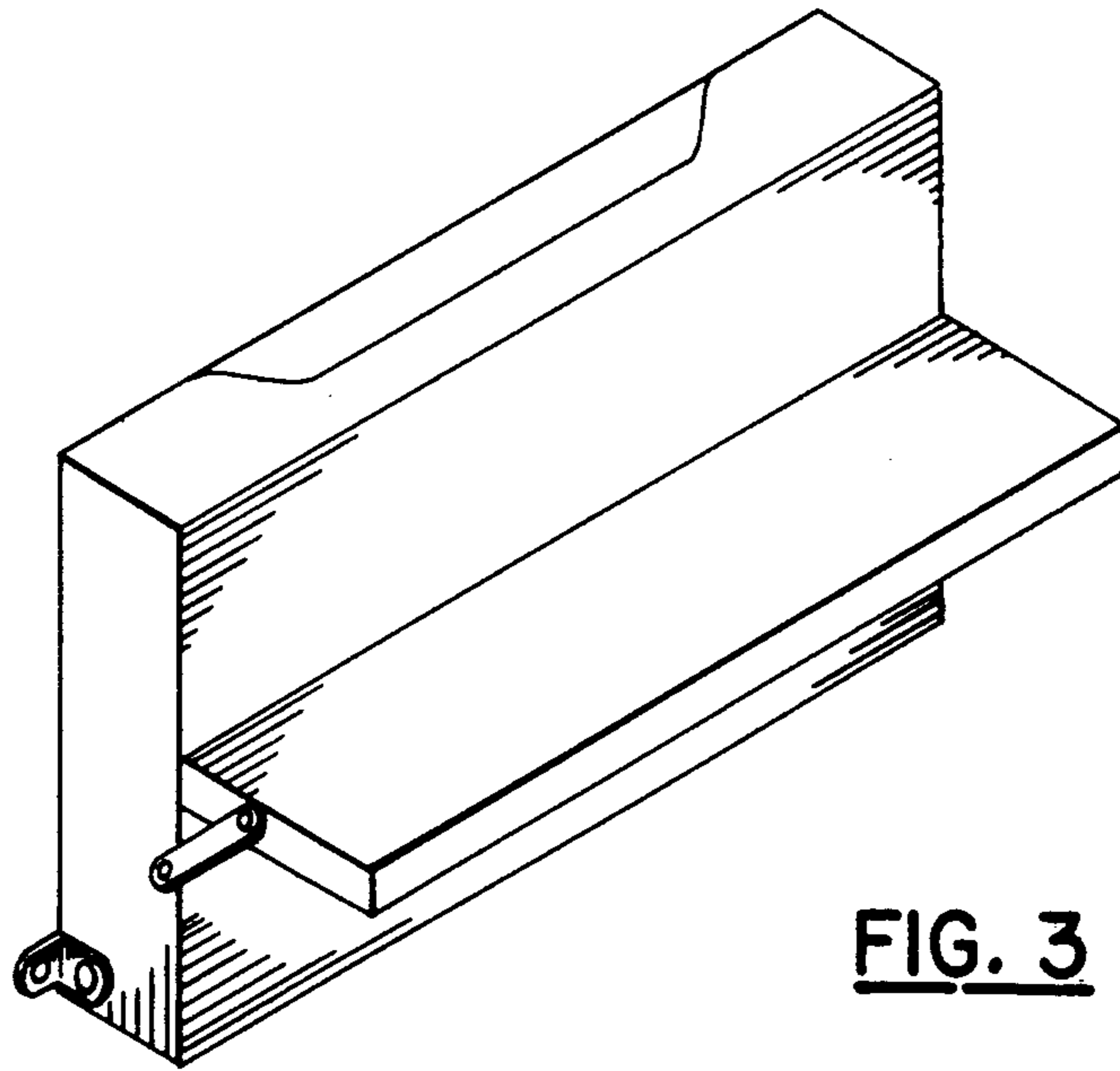


FIG. 3

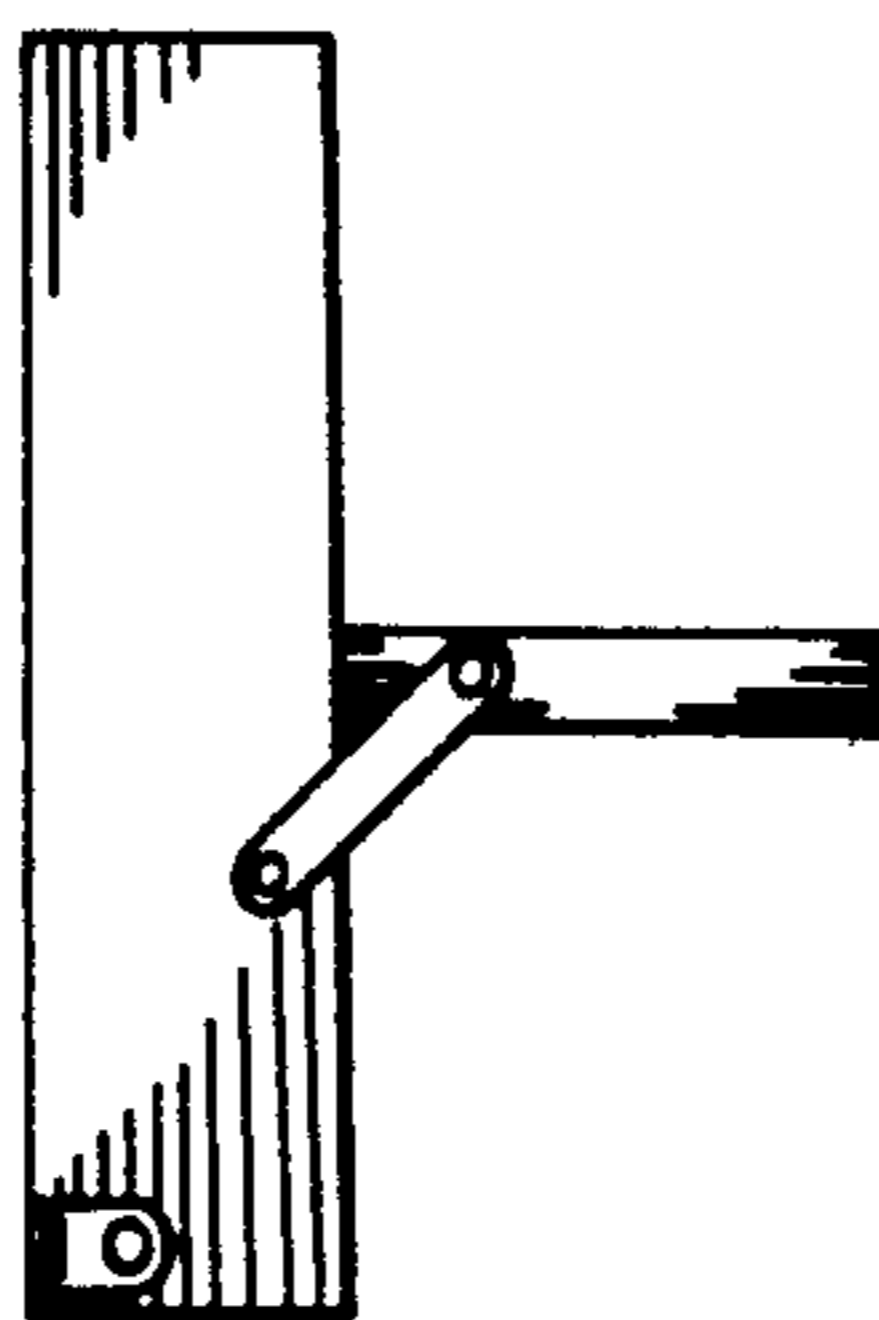


FIG. 4