

[54] WATER SLED DEVICE

[75] Inventors: **Burks A. Smith, Jr.**, Kansas City, Mo.; **Wayne G. Smith**, Overland Park, Kans.

[73] Assignee: **Bonair Boats, Inc.**, Lenexa, Kans.

[**] Term: **14 Years**

[21] Appl. No.: **777,064**

[22] Filed: **Mar. 14, 1977**

[51] Int. Cl. **D12-14**

[52] U.S. Cl. **D34/42**

[58] Field of Search **D34/42, 41; 9/310 F, 9/2 H**

[56] **References Cited**

U.S. PATENT DOCUMENTS

D. 206,633	1/1967	Curtiss et al.	D34/42
D. 214,215	5/1969	Keneklis	D34/42
3,785,317	1/1974	Currey	9/2 A X

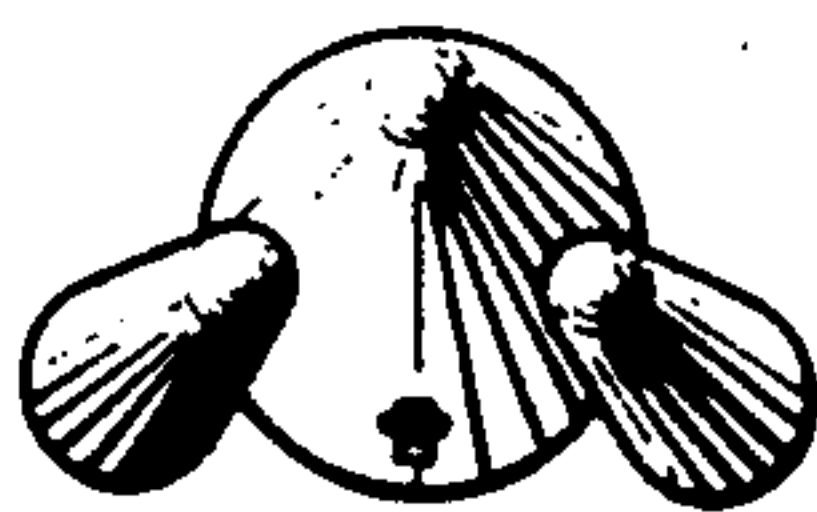
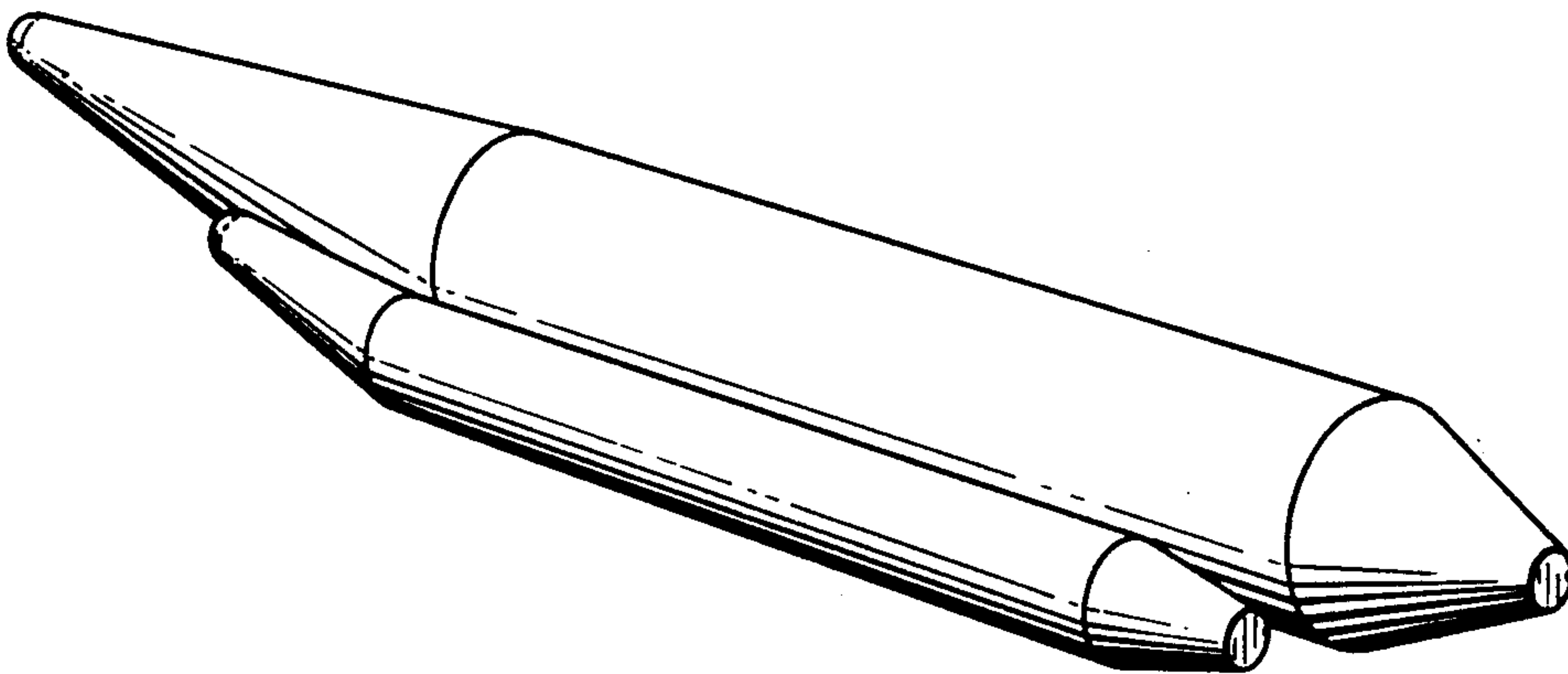
Primary Examiner—Alan P. Douglas
Attorney, Agent, or Firm—Gordon D. Schmidt

[57] **CLAIM**

The ornamental design for a water sled device, as shown and described.

DESCRIPTION

FIG. 1 is a perspective view of the water sled device; FIG. 2 is a plan view thereof; FIG. 3 is a side elevational view thereof; FIG. 4 is a front elevational view thereof; and FIG. 5 is a rear elevational view thereof.



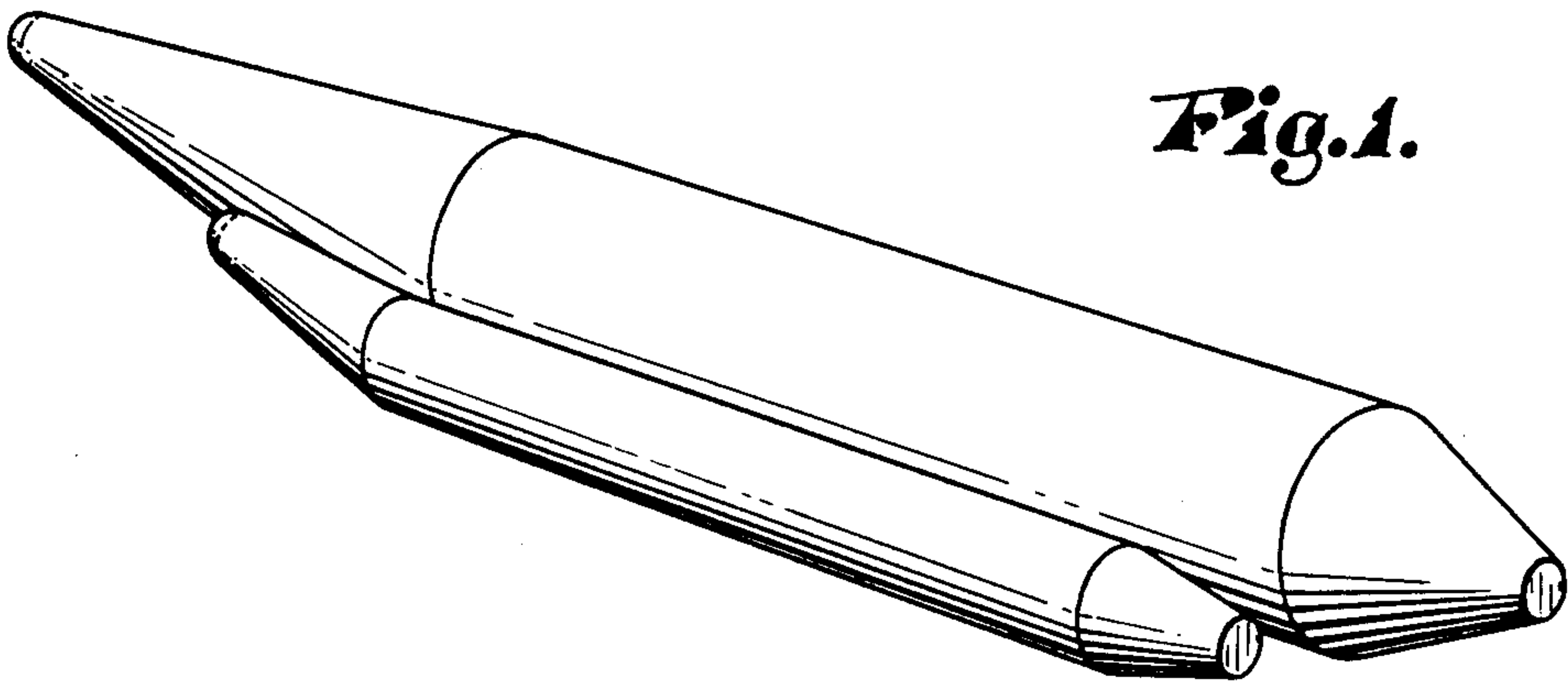


Fig. 1.

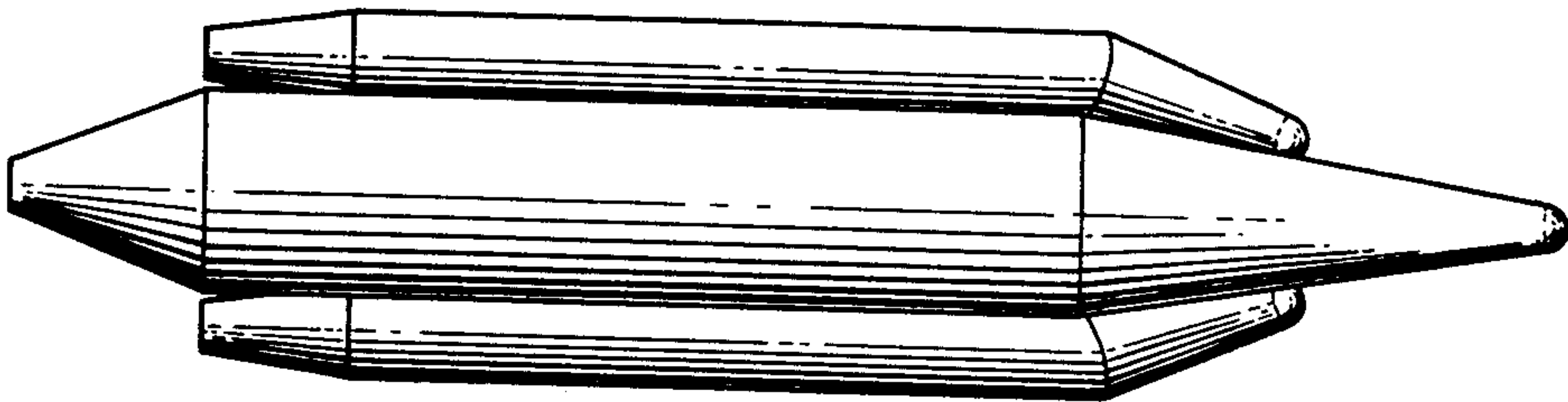


Fig. 2.

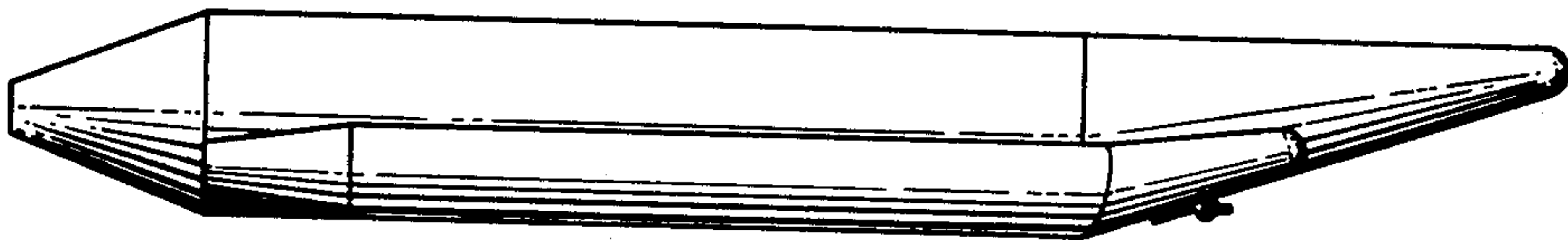


Fig. 3.

Fig. 5.

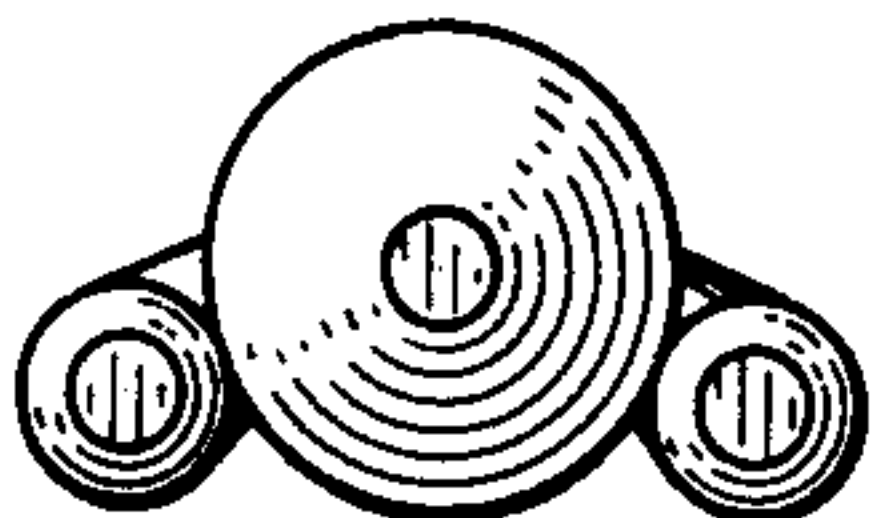


Fig. 4.

