

[54] FOOTBALL DART GAME TARGET

[76] Inventor: Robert W. Taylor, 3444 Wilton St., Long Beach, Calif. 90804

[\*\*] Term: 14 Years

[21] Appl. No.: 758,710

[22] Filed: Jan. 12, 1977

[51] Int. Cl. .... D21-01

[52] U.S. Cl. .... D34/5 FG

[58] Field of Search ..... D34/5 FG, 5 PP; 273/102 B

[56] References Cited

U.S. PATENT DOCUMENTS

D. 224,122 7/1972 Tremel et al. .... D34/5 FG

OTHER PUBLICATIONS

Sears Xmas Cat., 1969, p. 407, middle right, NFL Dart Game.

Playthings, Oct. 1970, p. 72, top, Football Dartboard.

Primary Examiner—Melvin B. Feifer

Attorney, Agent, or Firm—Francis A. Utecht

[57] CLAIM

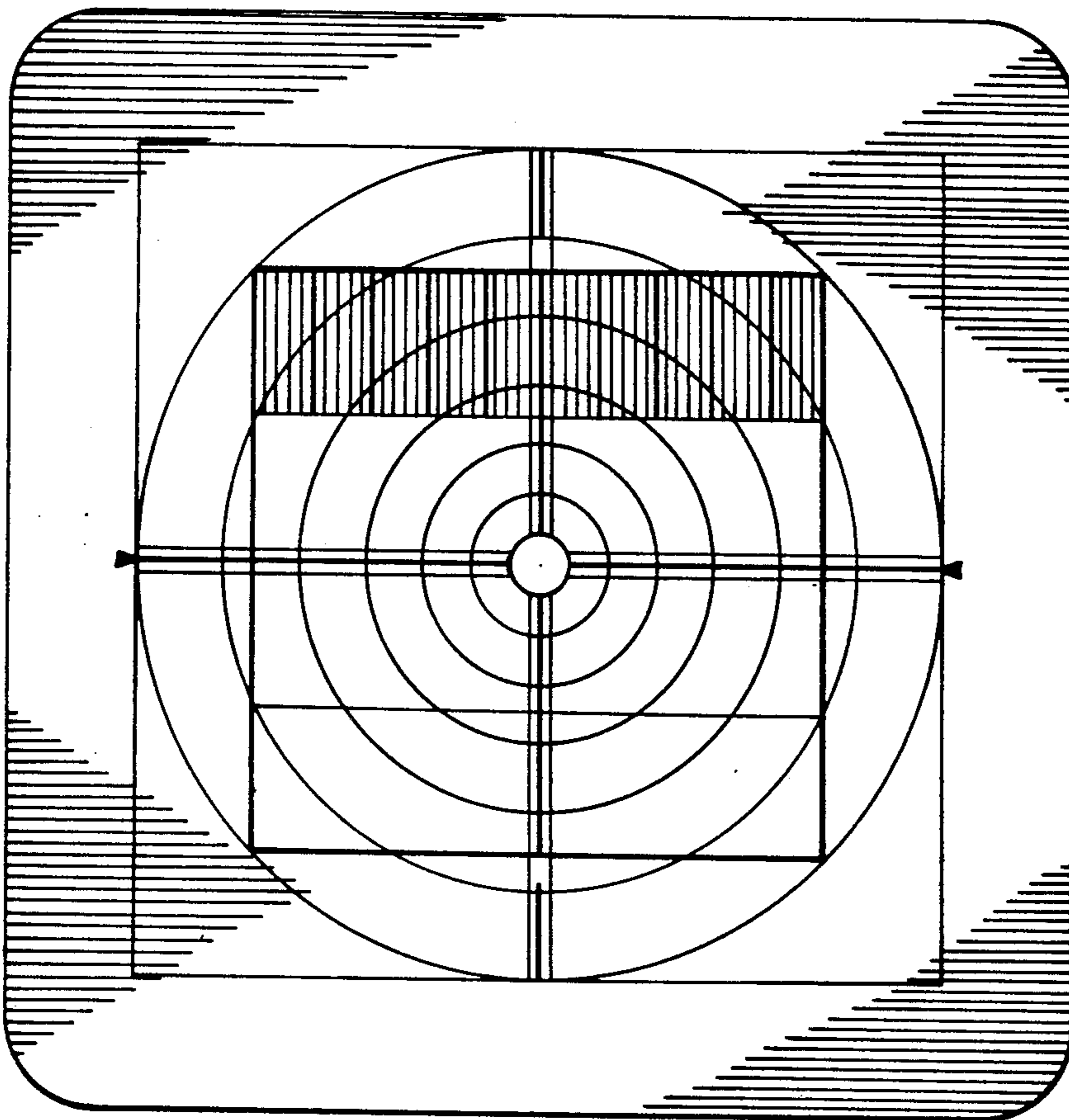
The ornamental design for a football dart game target, substantially as shown and described.

DESCRIPTION

FIG. 1 is a perspective view of a football dart game target showing my new design;

FIG. 2 is a front elevational view thereof;

FIG. 3 is an edge view thereof.



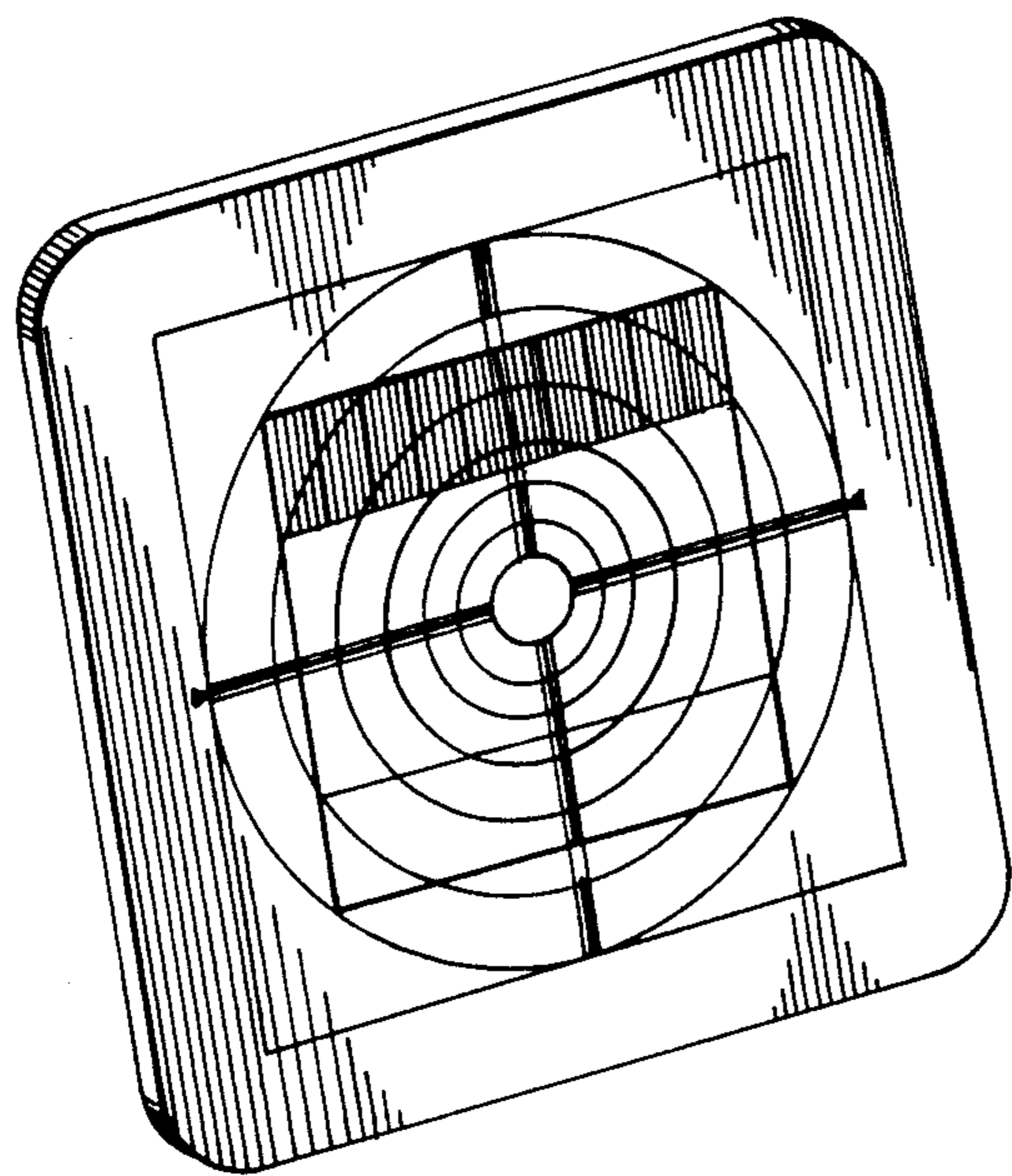


FIG. 1

FIG. 2

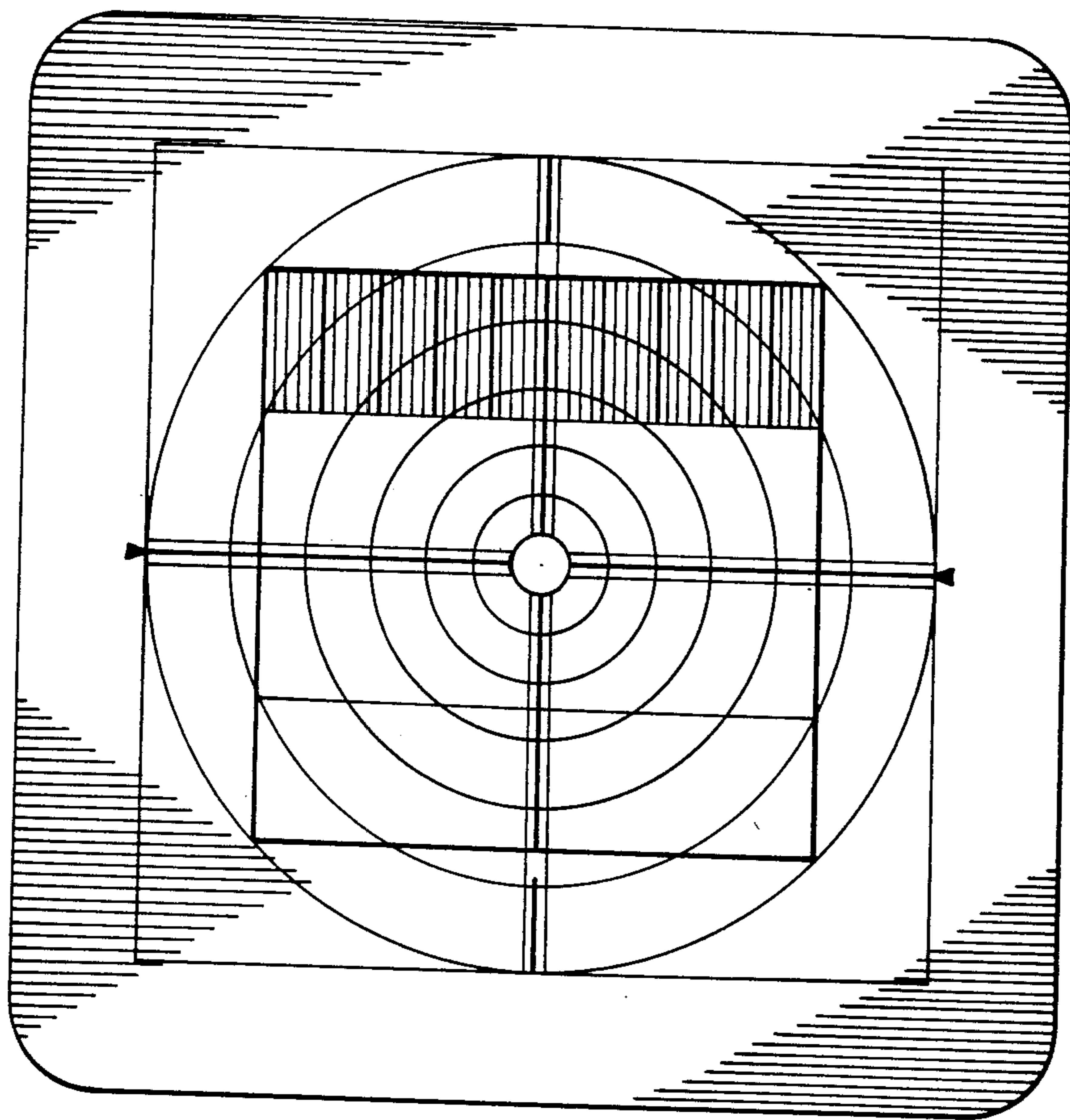


FIG. 3

