

[54] BURIAL VAULT

[76] Inventors: Wyoming B. Paris, 2254 N. Yale, Wichita, Kans. 67220; Robert J. Smith, 8713 W. St. Joe Hwy., Lansing, Mich. 48917

[**] Term: 14 Years

[21] Appl. No.: 761,592

[22] Filed: Jan. 24, 1977

[51] Int. Cl. D3-01
[52] U.S. Cl. D99/1
[58] Field of Search D31/1-3, D31/8, 12; 27/1-3, 5-8, 35

[56]

References Cited

U.S. PATENT DOCUMENTS

712,030	10/1902	Zarling	D31/12 X
1,375,758	4/1921	Kennedy	27/6
1,920,101	7/1933	Nagel	D31/1 X

FOREIGN PATENT DOCUMENTS

1224877	9/1966	Fed. Rep. of Germany	27/3
---------	--------	----------------------------	------

Primary Examiner—Louis S. Zarfes

Attorney, Agent, or Firm—Robert E. Breidenthal

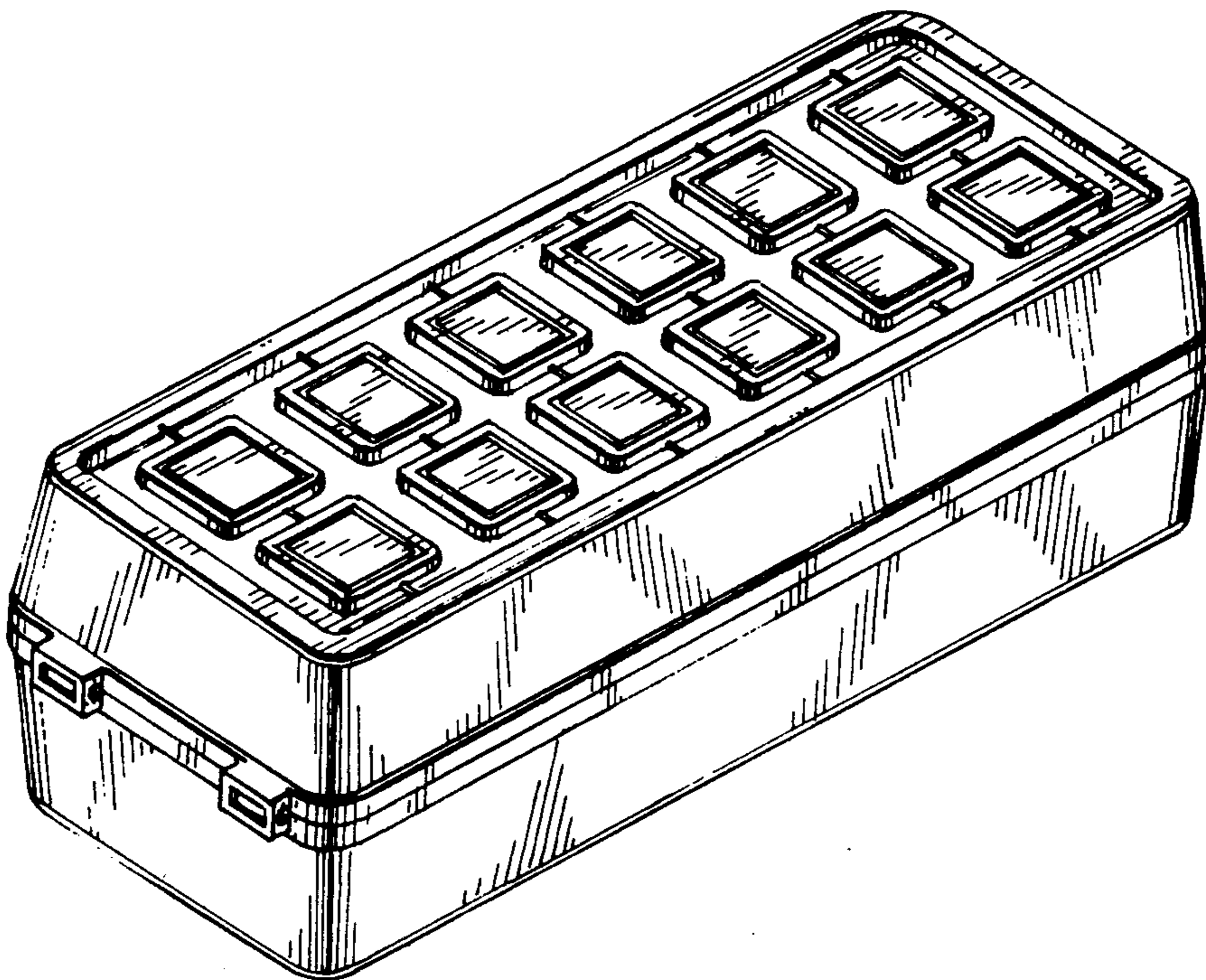
[57]

CLAIM

The ornamental design of a burial vault, as shown.

DESCRIPTION

FIG. 1 is a perspective view of a burial vault showing our new design from above; FIG. 2 is an end elevational view thereof; and, FIG. 3 is a bottom plan view thereof.



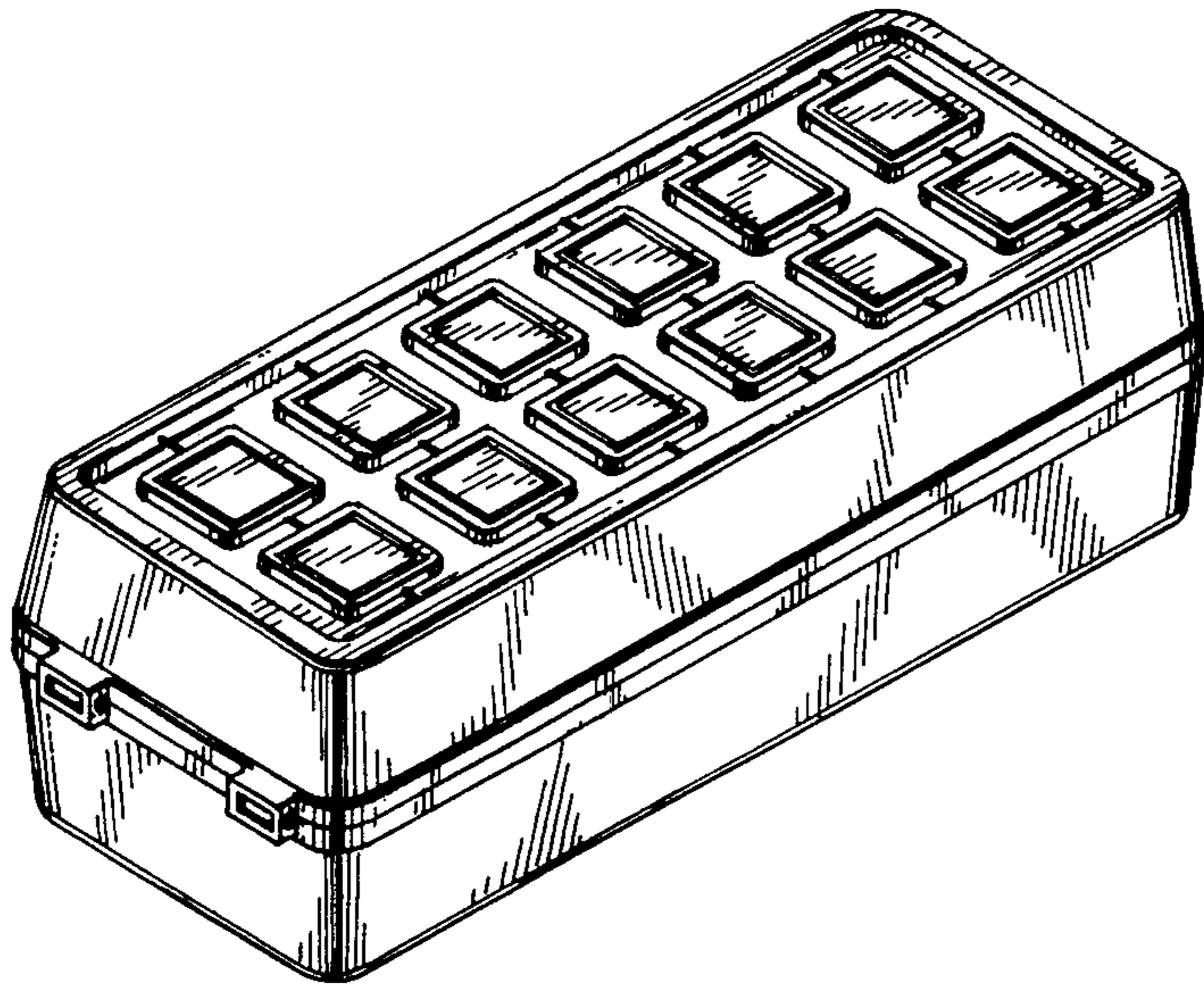


FIG. 1

FIG. 2

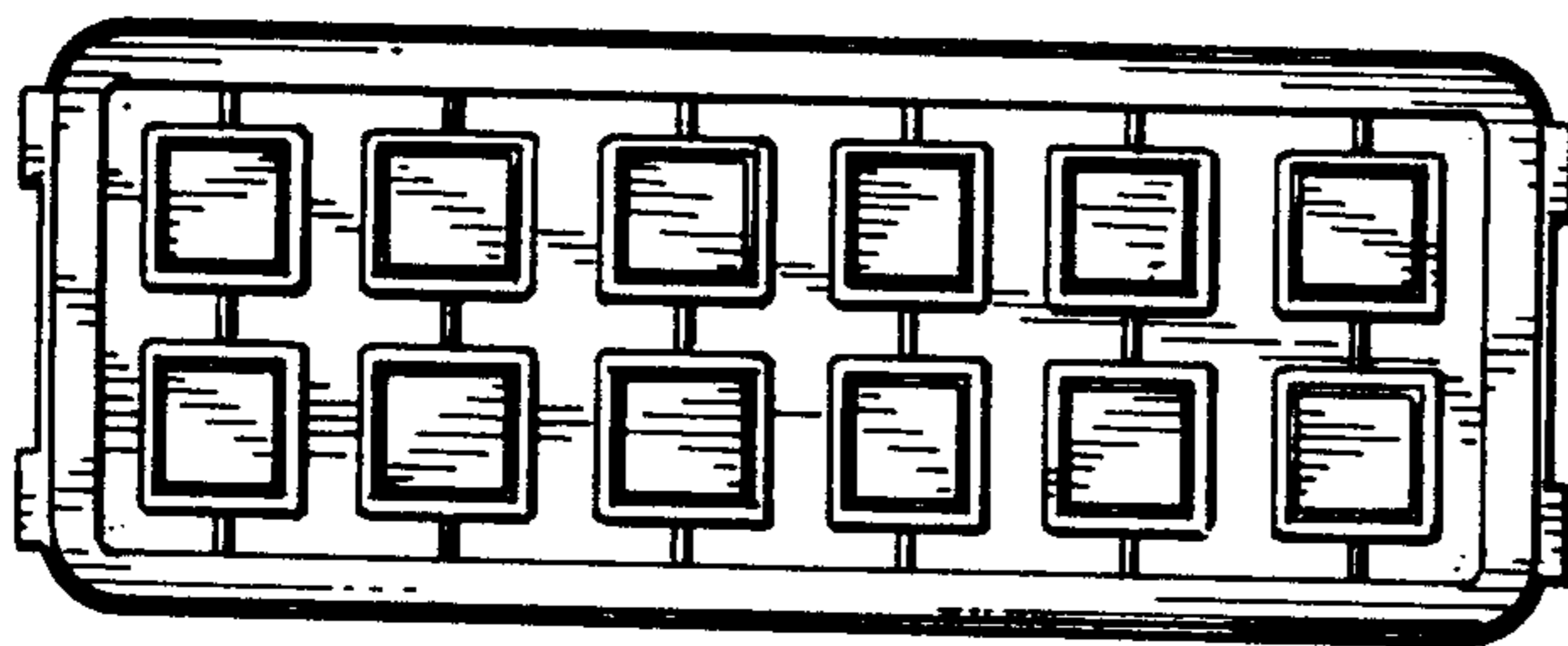
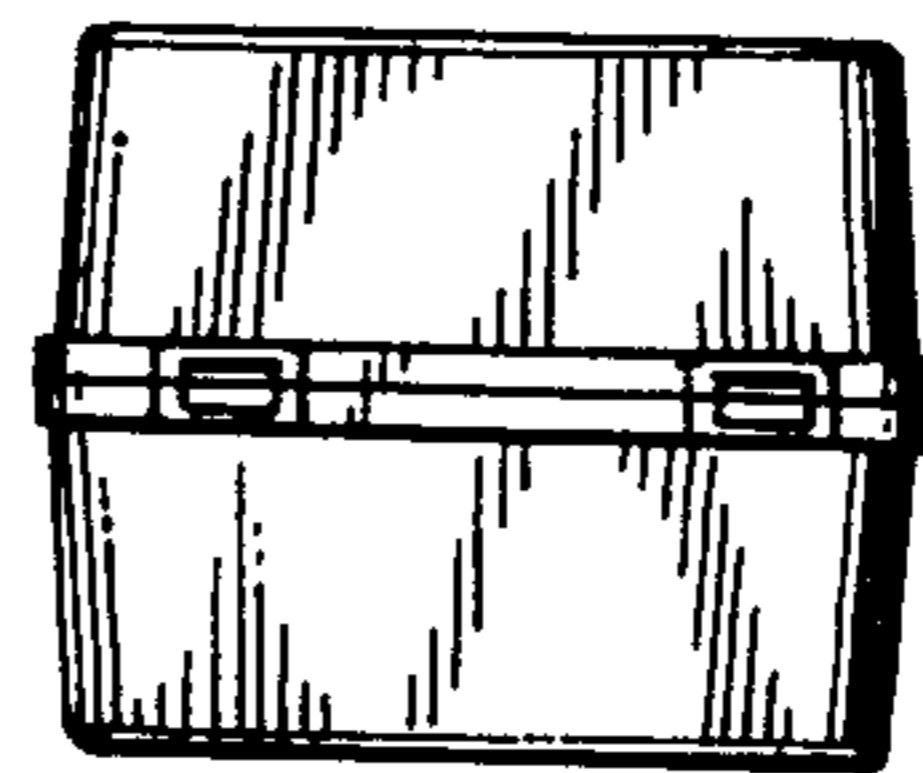


FIG. 3