

[54] NASAL DEVICE

[76] Inventor: Saul O. Amezcuca, Mazatlan #118, Condesa Colony, Mexico City 11, Mexico

[\*\*] Term: 14 Years

[21] Appl. No.: 763,357

[22] Filed: Jan. 28, 1977

[51] Int. Cl. .... 24-99; 29-02

[52] U.S. Cl. .... D24/99; D24/67; D29/7

[58] Field of Search ..... 128/146, 146.2, 140 N; D9/176; D7/70, 71; D24/62, 67, 99; D29/7, 99

[56] References Cited

U.S. PATENT DOCUMENTS

855,573	6/1907	Heath	128/140 N
878,223	2/1908	Meissecbach	128/140 N

2,162,583	6/1939	Kjellsson	128/140 N
2,277,390	3/1942	Crespo	128/140 N
2,693,799	11/1954	Herman, Jr.	128/140 N
2,751,906	6/1956	Irvine	128/140 N
3,457,917	7/1969	Mercurid	128/140 N
3,463,149	8/1969	Albu	128/140 N
3,747,597	7/1973	Olivera	128/140 N
3,802,426	4/1974	Sakamoto	128/140 N

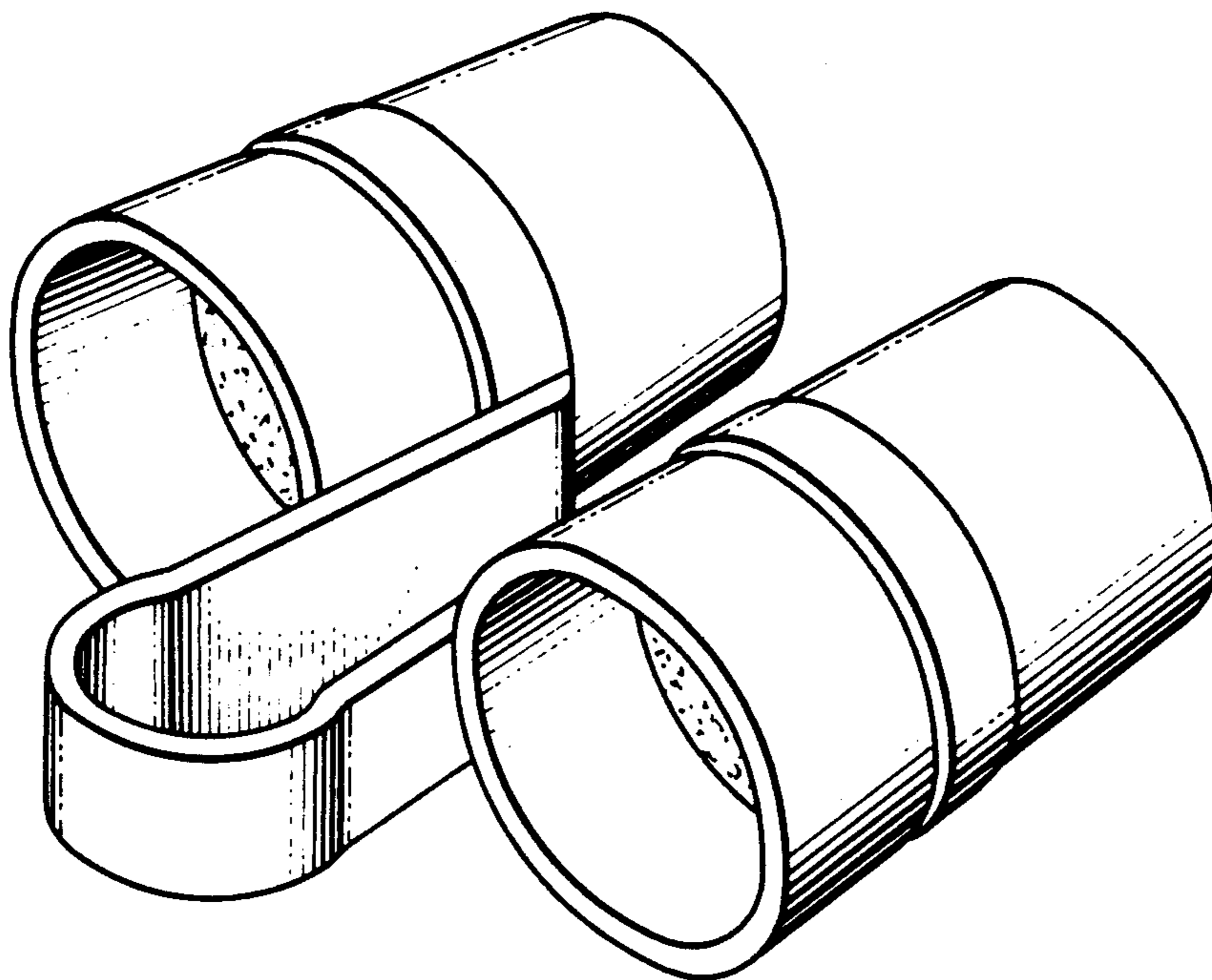
Primary Examiner—Bernard Ansher  
Attorney, Agent, or Firm—Patrick F. Bright

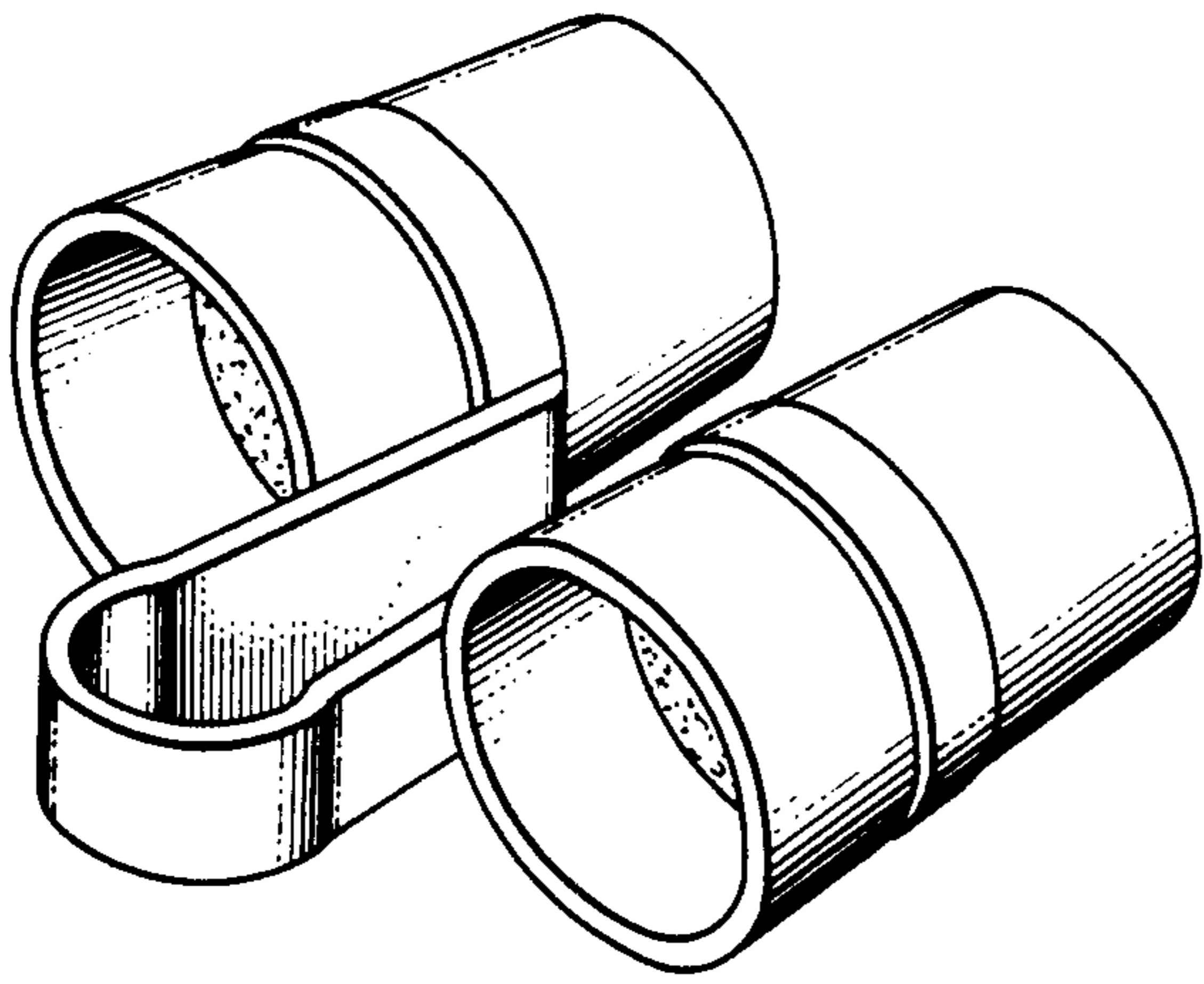
[57] CLAIM

An ornamental design for a nasal device, as shown and described.

DESCRIPTION

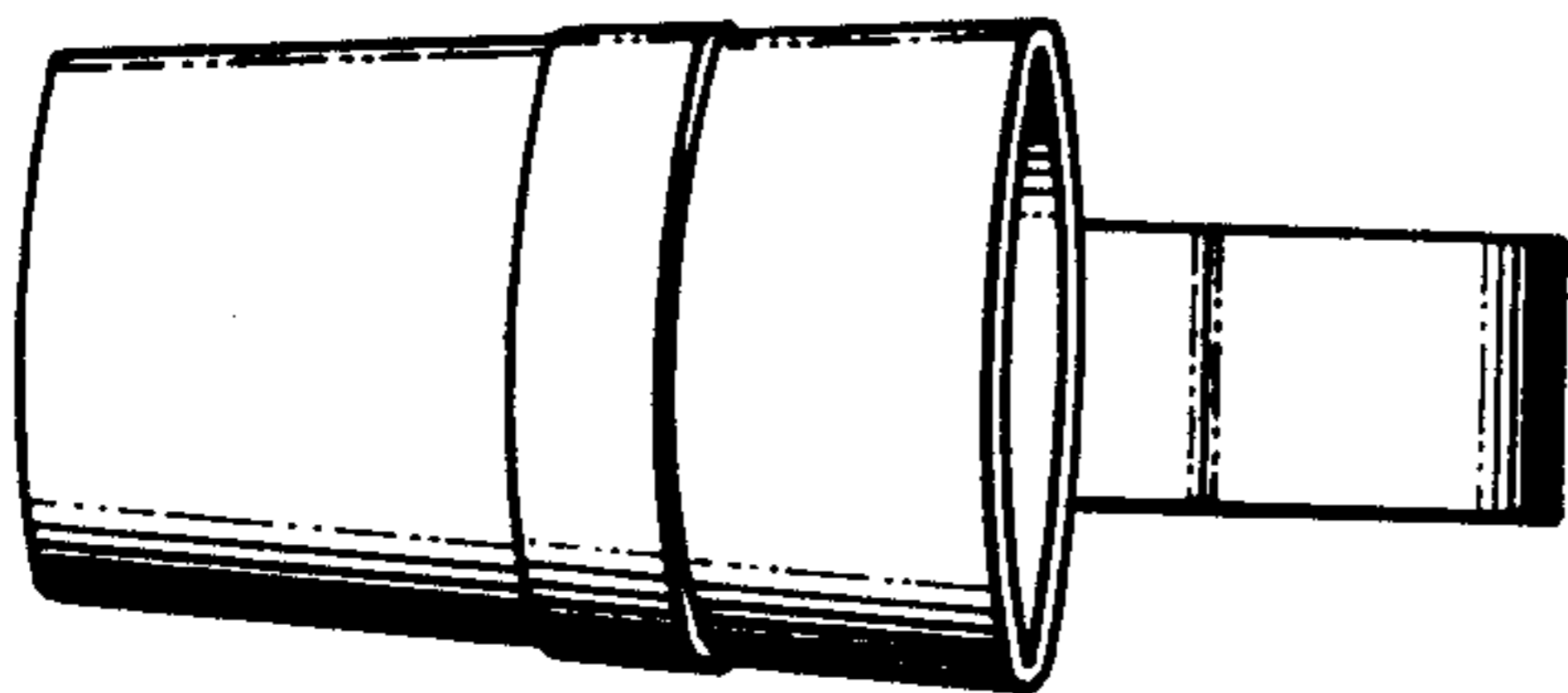
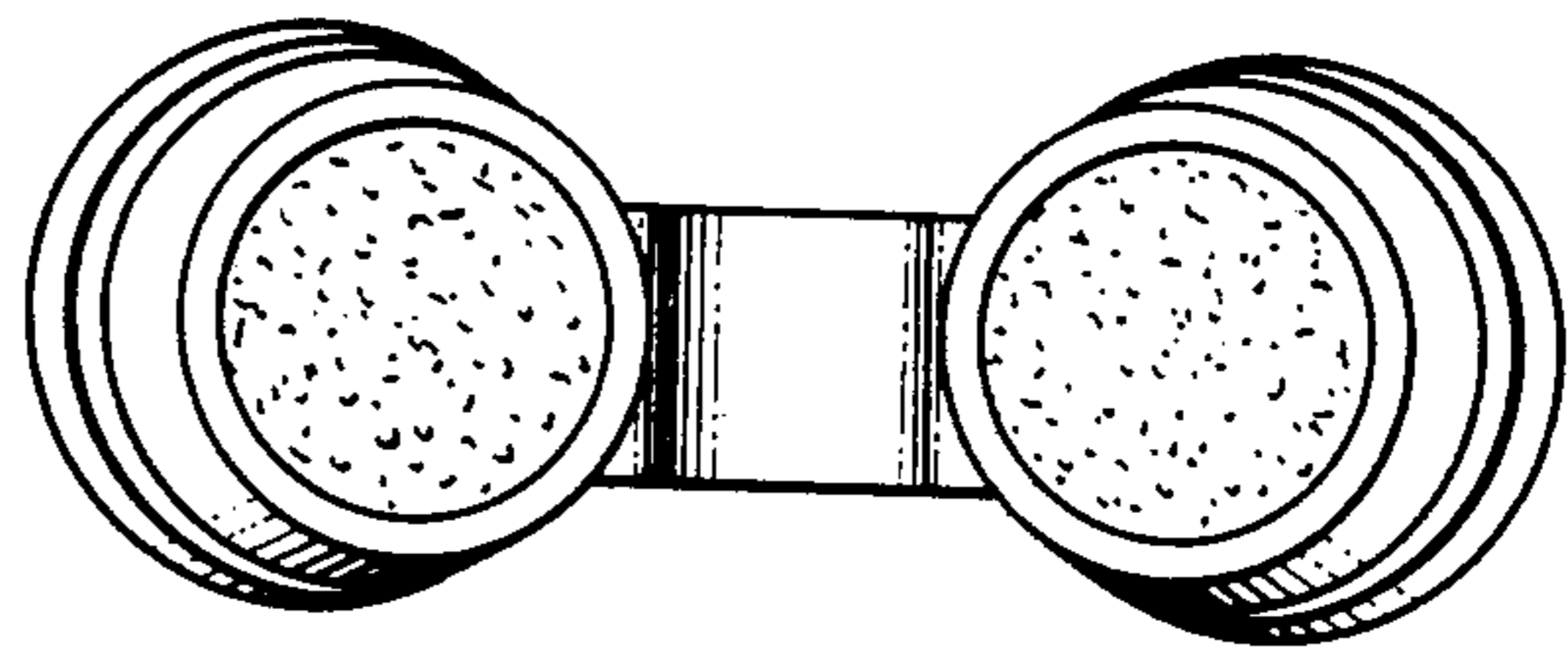
FIG. 1 is a perspective view of a nasal device showing my new design;  
FIG. 2 is a side view thereof;  
FIG. 3 is an end view thereof; and  
FIG. 4 is a bottom plan view thereof.



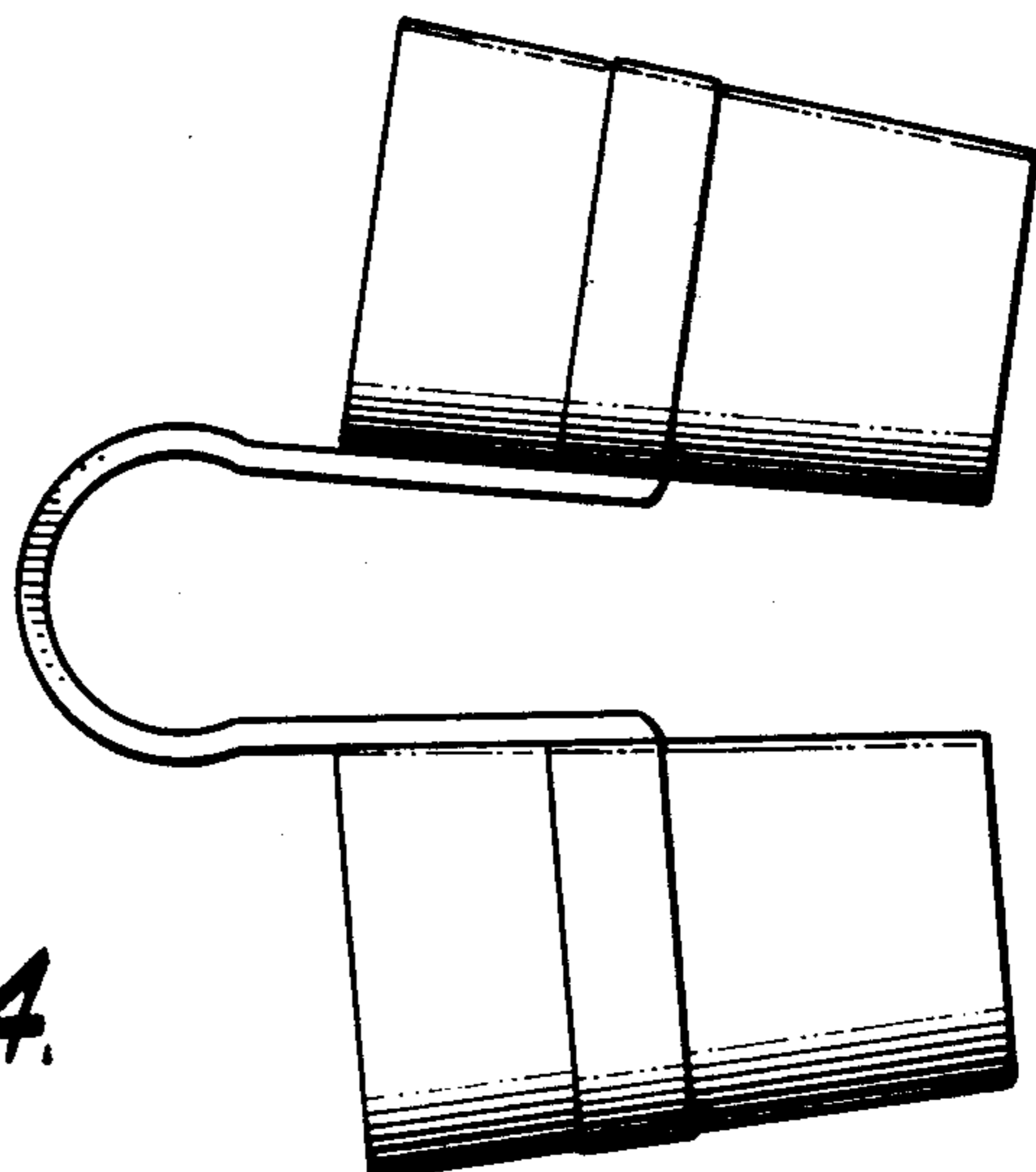


*FIG. 1.*

*FIG. 3.*



*FIG. 2.*



*FIG. 4.*