

[54] UREA NITROGEN ANALYZER

[75] Inventors: Robert J. Aul, Perrysburg; Philip J. Breno, Oregon; Wayne J. Zitkus; Barry Watson, both of Toledo, all of Ohio; Paul R. Maguire, Los Angeles, Calif.

[73] Assignee: Owens-Illionis, Inc., Toledo, Ohio

[**] Term: 14 Years

[21] Appl. No.: 717,776

[22] Filed: Aug. 25, 1976

Related U.S. Application Data

[63] Continuation-in-part of Ser. No. 604,504, Aug. 13, 1975, abandoned.

[51] Int. Cl. D24-01

[52] U.S. Cl. D24/21

[58] Field of Search 195/103.5 C; 204/195 B; 23/230 B; D24/21

[56]

References Cited

U.S. PATENT DOCUMENTS

D. 234,705	4/1975	Gomes et al.	D24/21
3,770,607	11/1973	Williams	204/195 B
3,839,154	10/1974	Messing	195/103.5 C
3,920,969	11/1975	Berglas	204/195 B

Primary Examiner—Bernard Ansher

Attorney, Agent, or Firm—Richard B. Dence

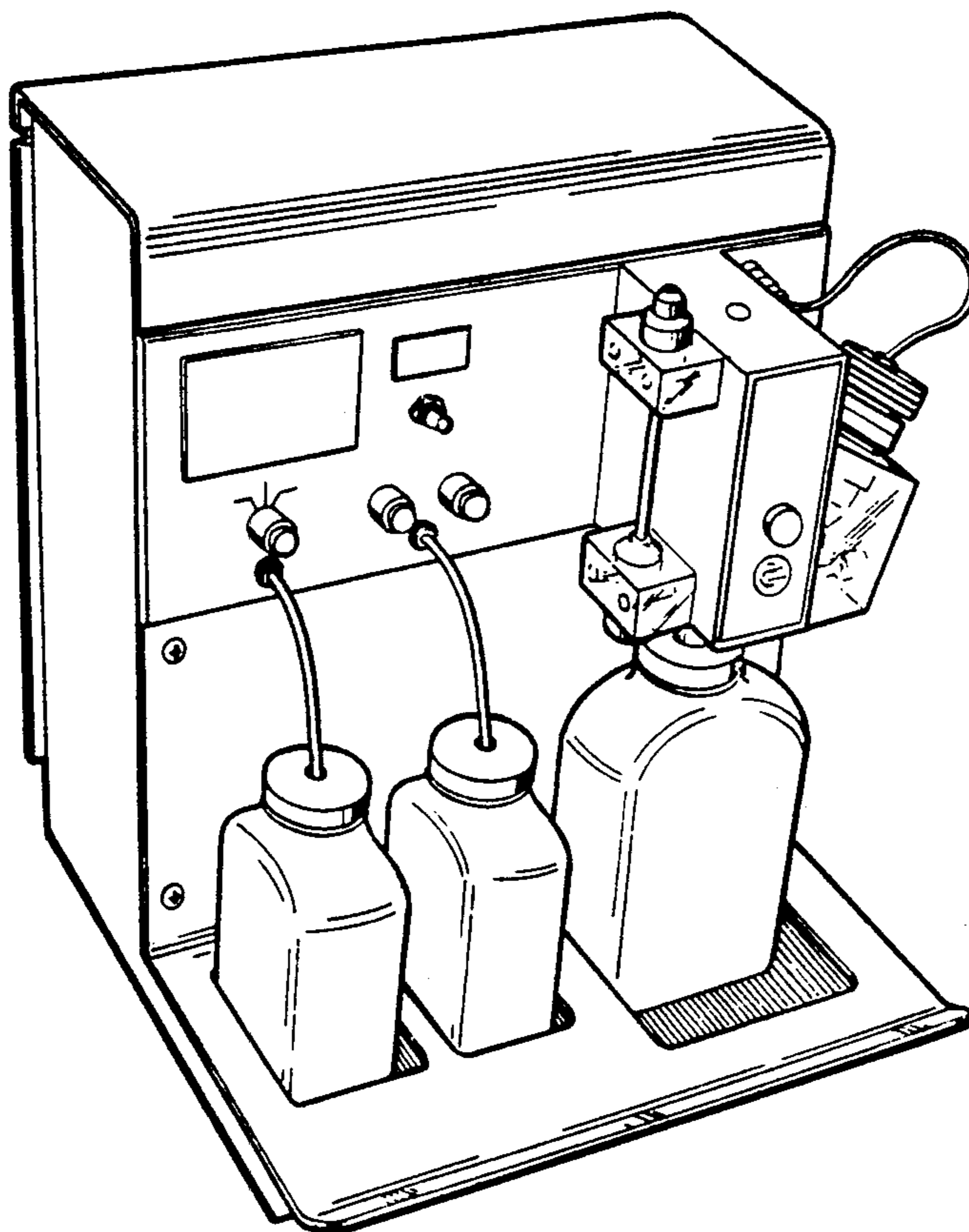
[57]

CLAIM

The ornamental design for an urea nitrogen analyzer, as shown and described.

DESCRIPTION

FIG. 1 is a front perspective of a urea nitrogen analyzer, showing our new design;
 FIG. 2 is a front elevation thereof;
 FIG. 3 is a side elevation as seen from the left of FIG. 1;
 FIG. 4 is an elevation as seen from the side opposite of FIG. 3;
 FIG. 5 is a top plan view;
 FIG. 6 is a rear elevation thereof; and
 FIG. 7 is a view similar to FIG. 1 of an alternative embodiment of our new design depicted with transparent containers.



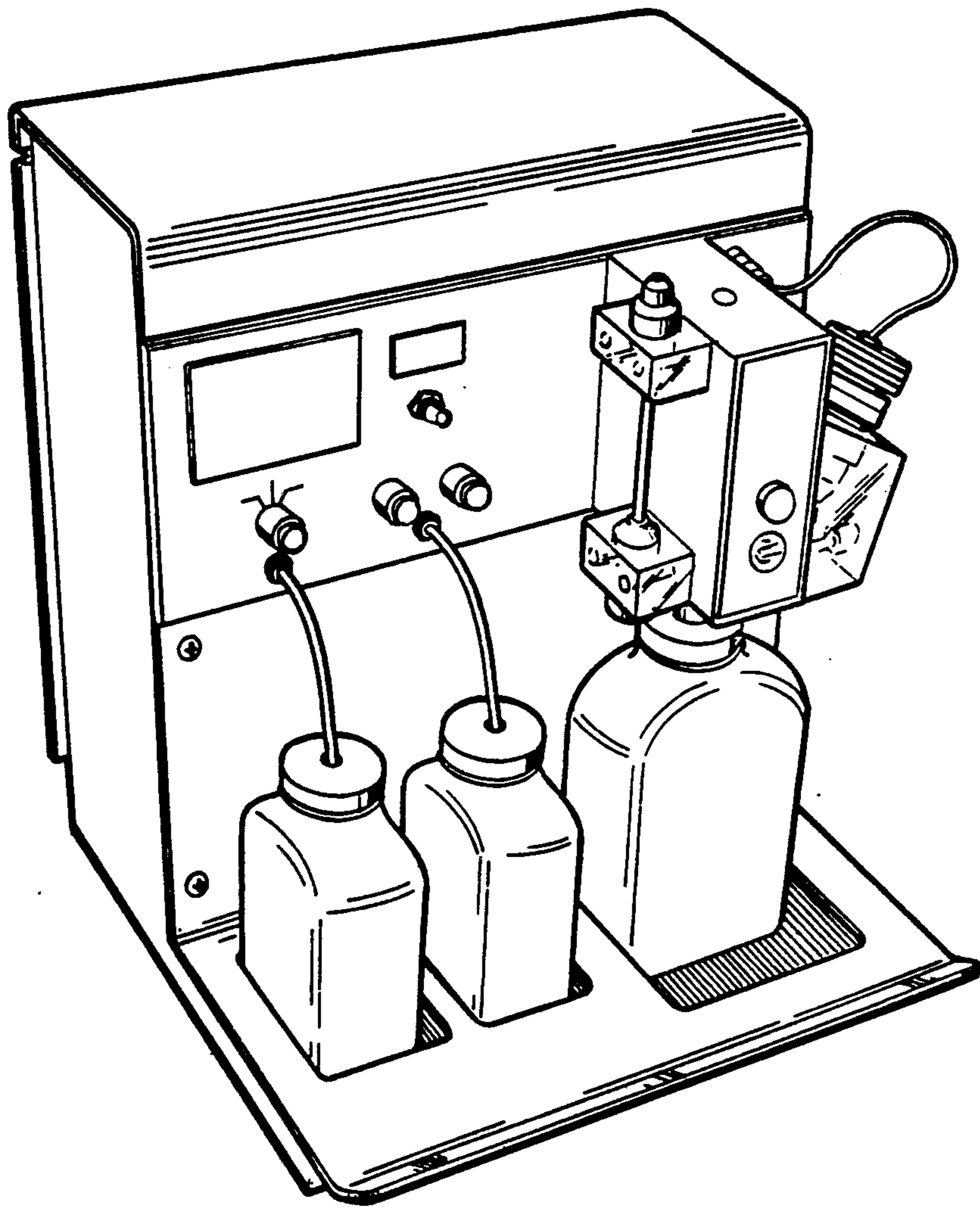


FIG. 1

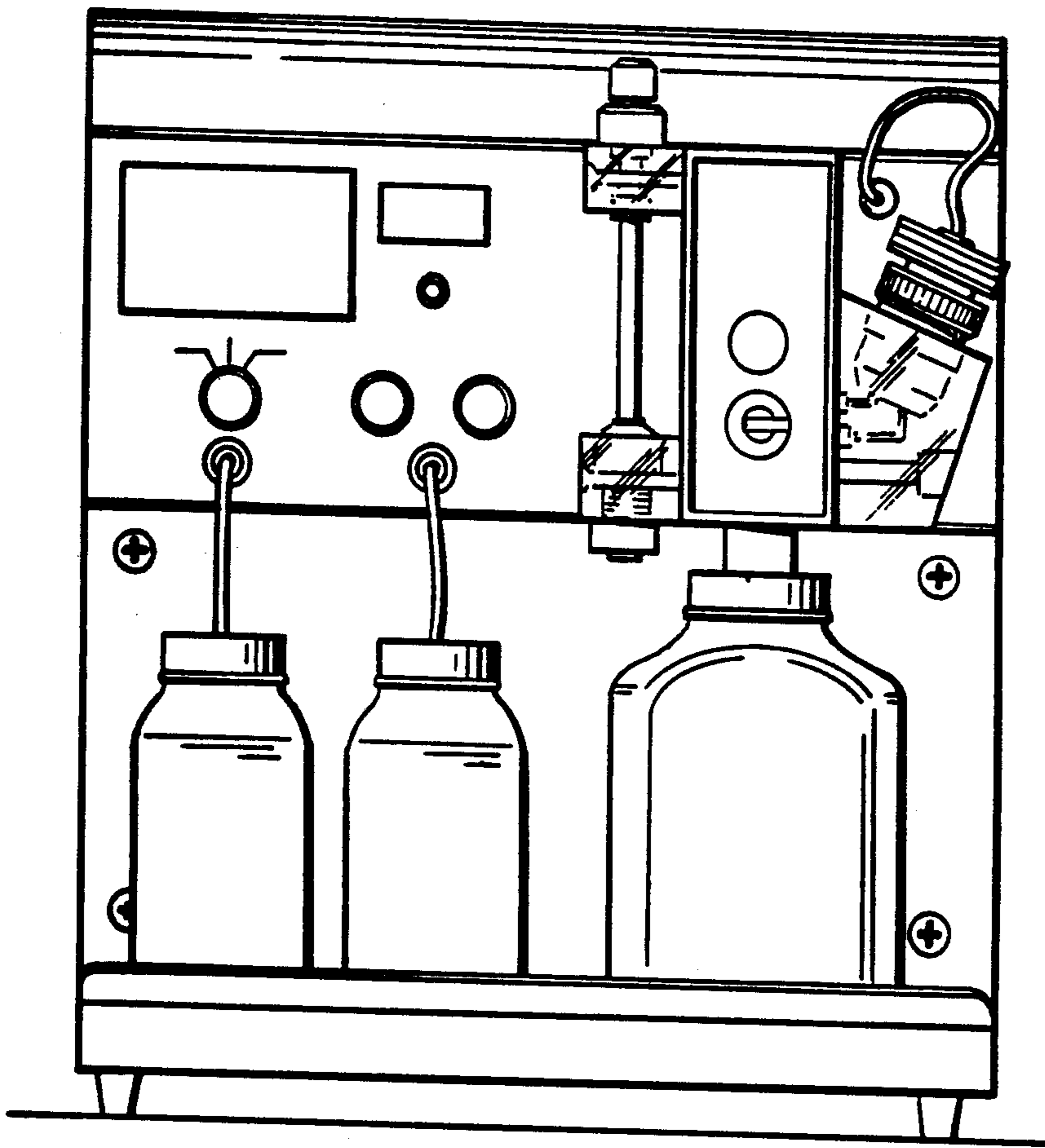


FIG. 2

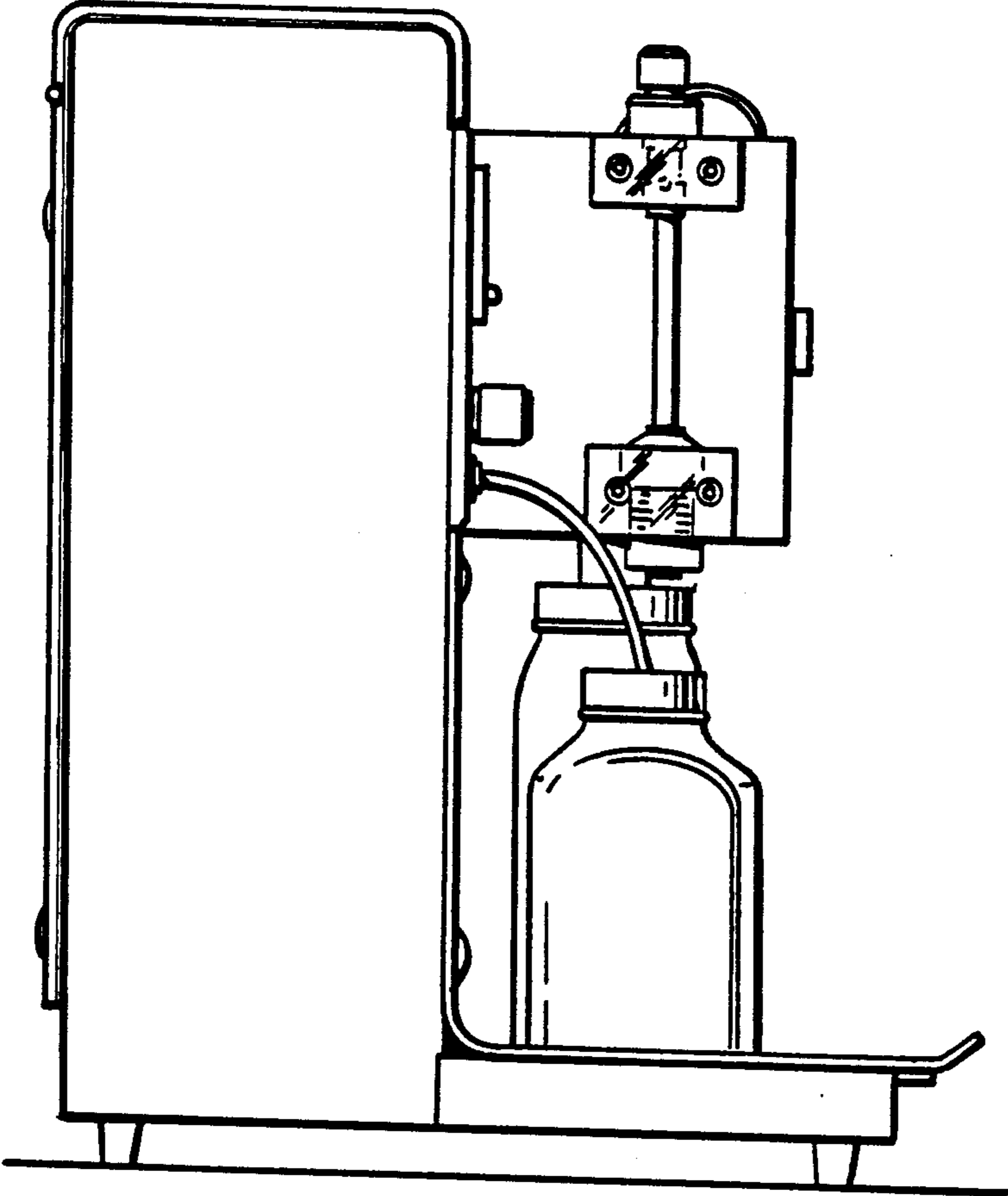


FIG. 3

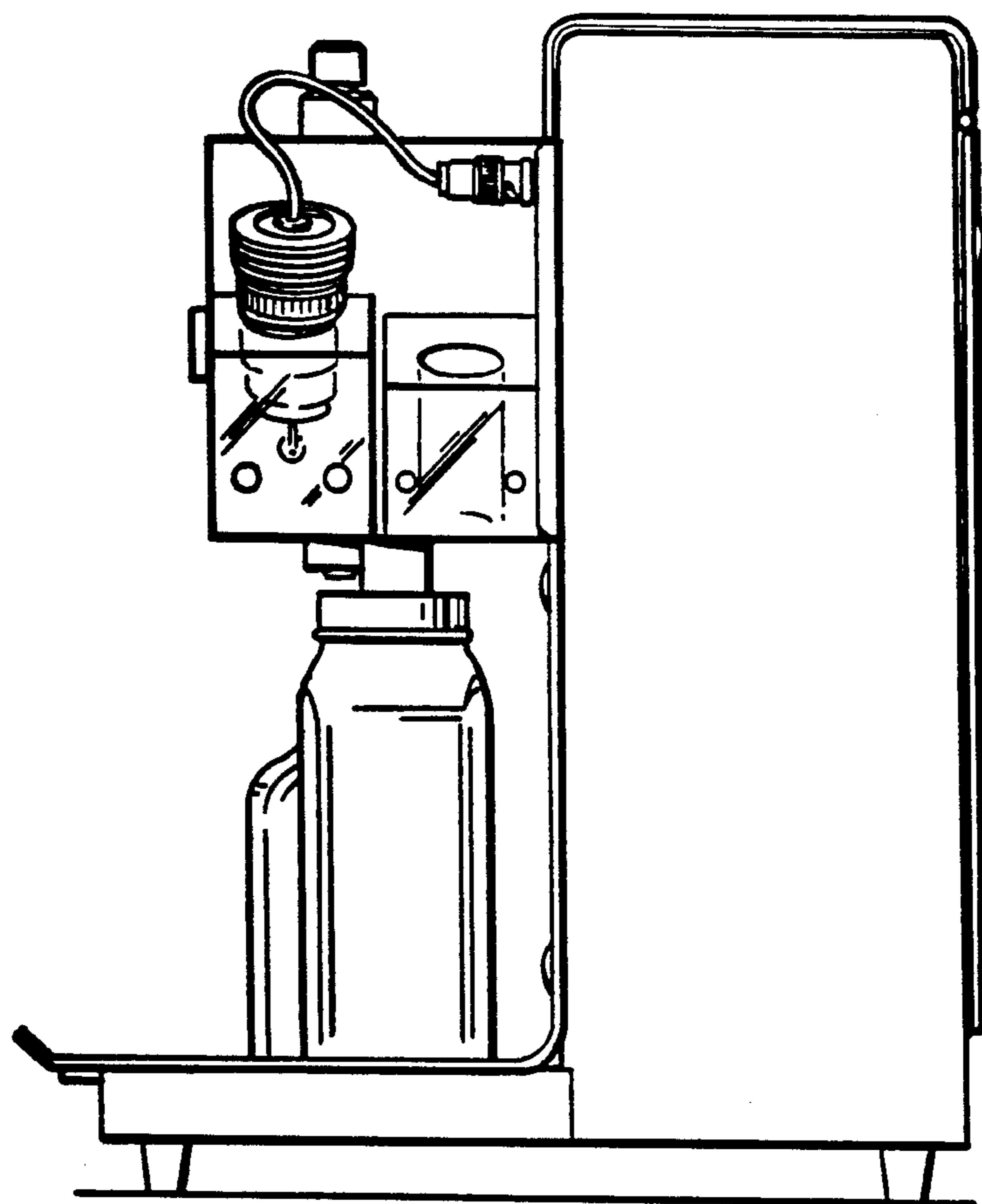


FIG. 4

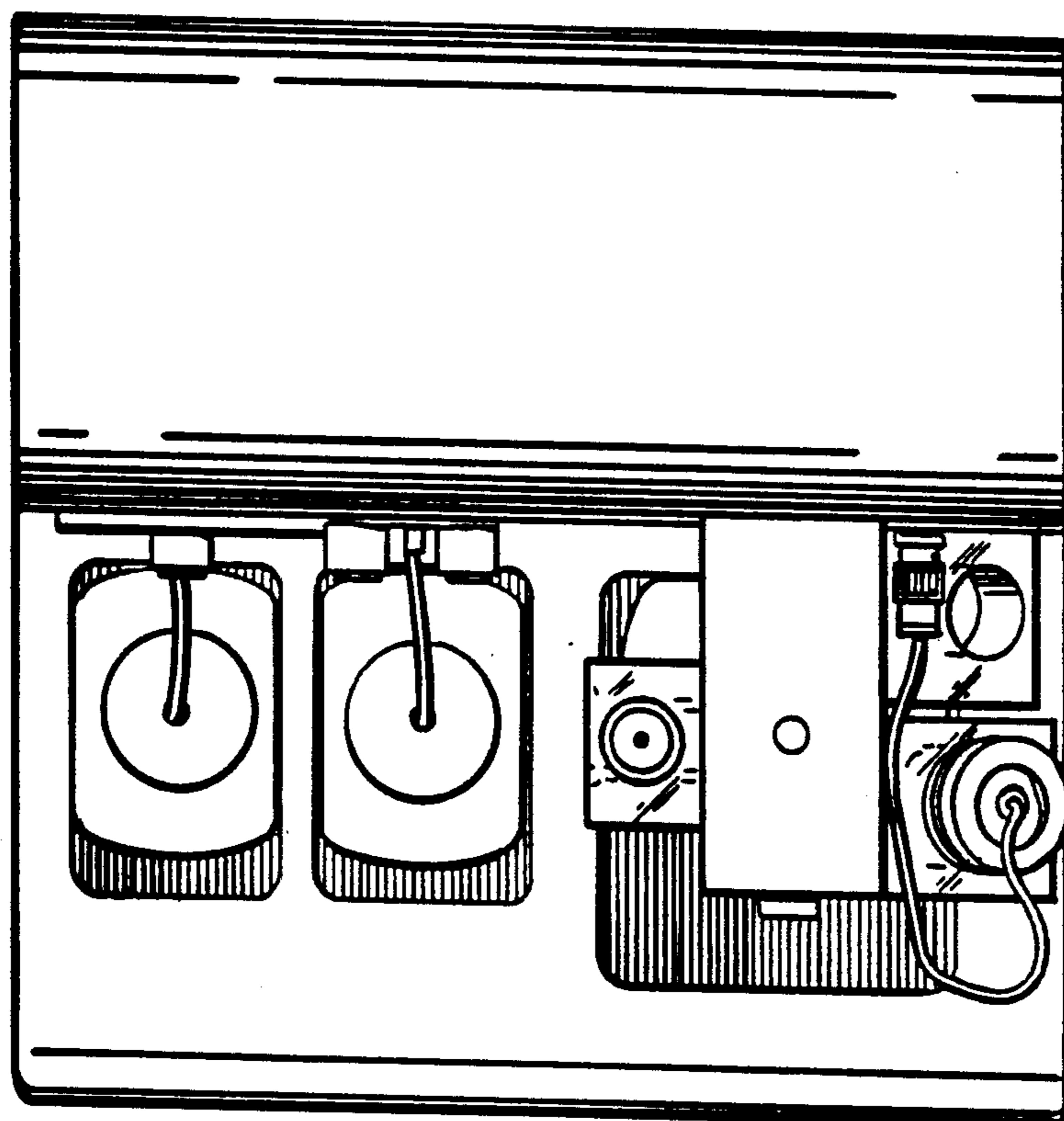


FIG. 5

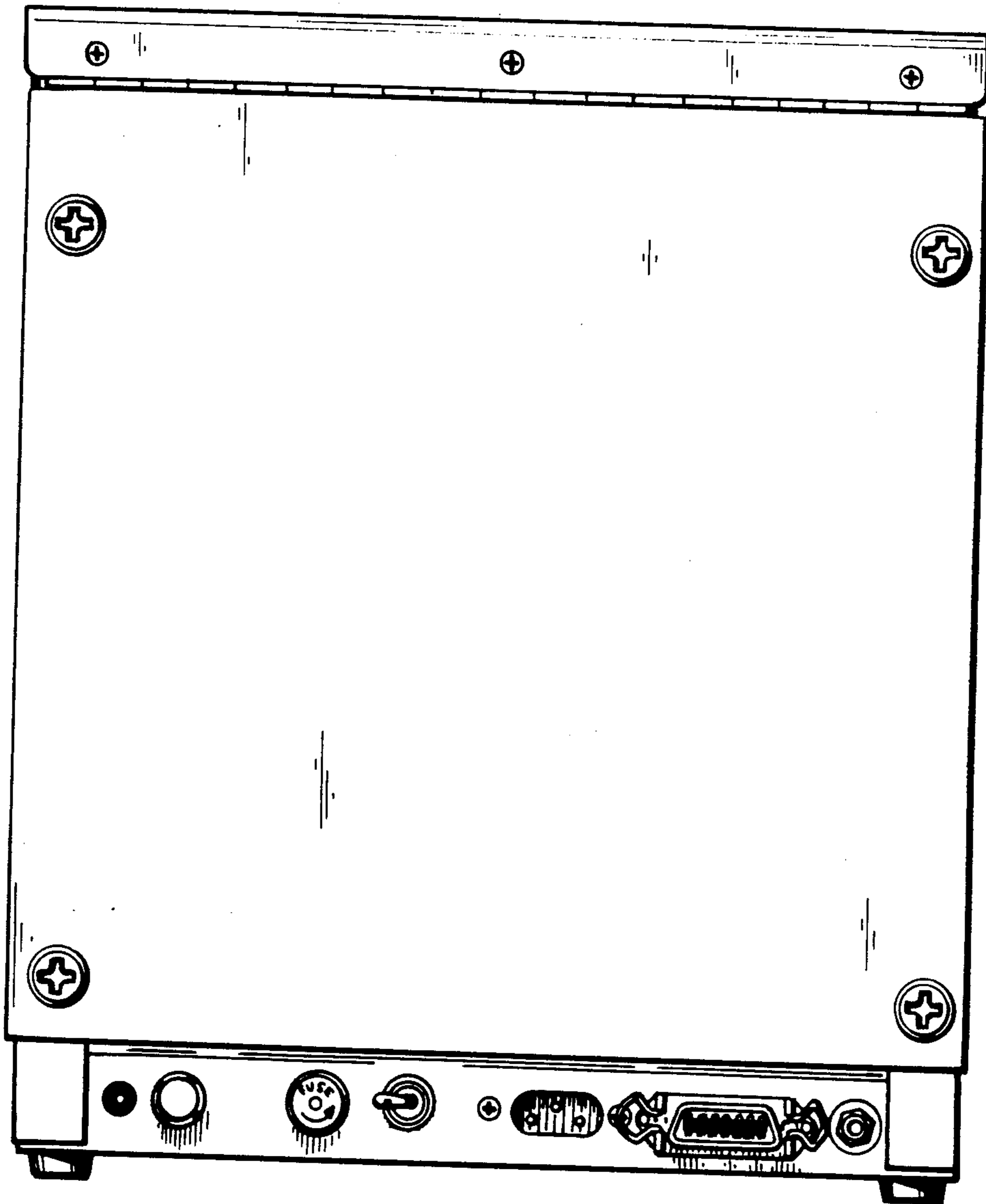


FIG. 6

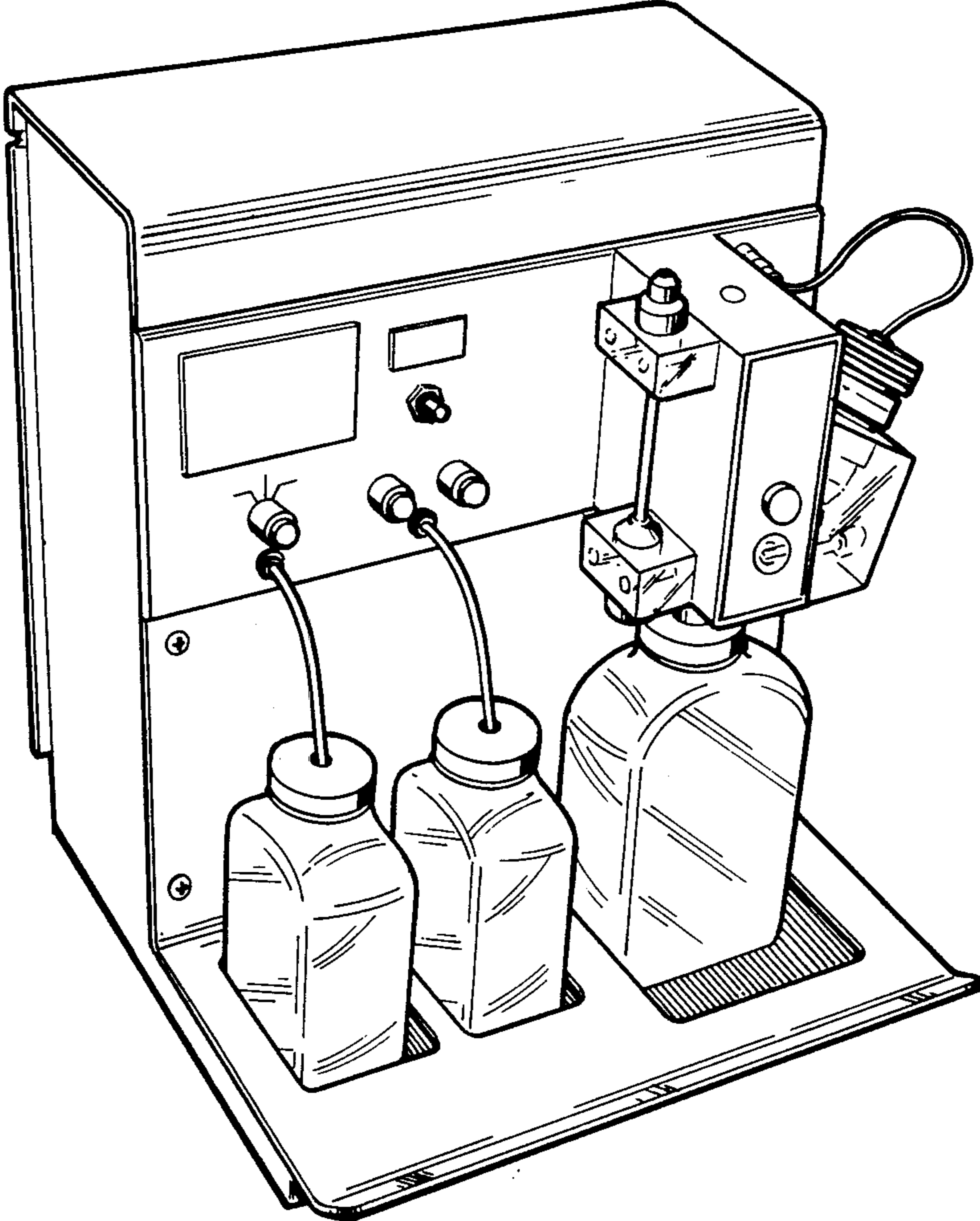


FIG. 7