

[54] **CLEANING ARM FOR PHONOGRAPH RECORDS**

[75] Inventor: **Massao Okada**, Yokohama, Japan

[73] Assignee: **Excel Sound Corporation**, Tokyo, Japan

[**] Term: **14 Years**

[21] Appl. No.: **700,240**

[22] Filed: **Jun. 28, 1976**

[51] Int. Cl. **D14-99**

[52] U.S. Cl. **D14/25; D14/27**

[58] Field of Search **D14/1, 2, 5-7, D14/14, 16-25, 27-30, 34, 68-77, 79-83, 96, 99**

[56] **References Cited**

U.S. PATENT DOCUMENTS

D. 95,198 4/1935 Ansley D14/27

D. 213,566	3/1969	Stacy	D14/27
D. 233,048	10/1974	Shelton et al.	D14/27
3,945,647	3/1976	Rangabe	274/47
3,965,520	6/1976	Maier	274/47 X

Primary Examiner—Joel Stearman
Assistant Examiner—J. Corrigan
Attorney, Agent, or Firm—Frank J. Jordan

[57] **CLAIM**

The ornamental design for a cleaning arm for phonograph records, as shown and described.

DESCRIPTION

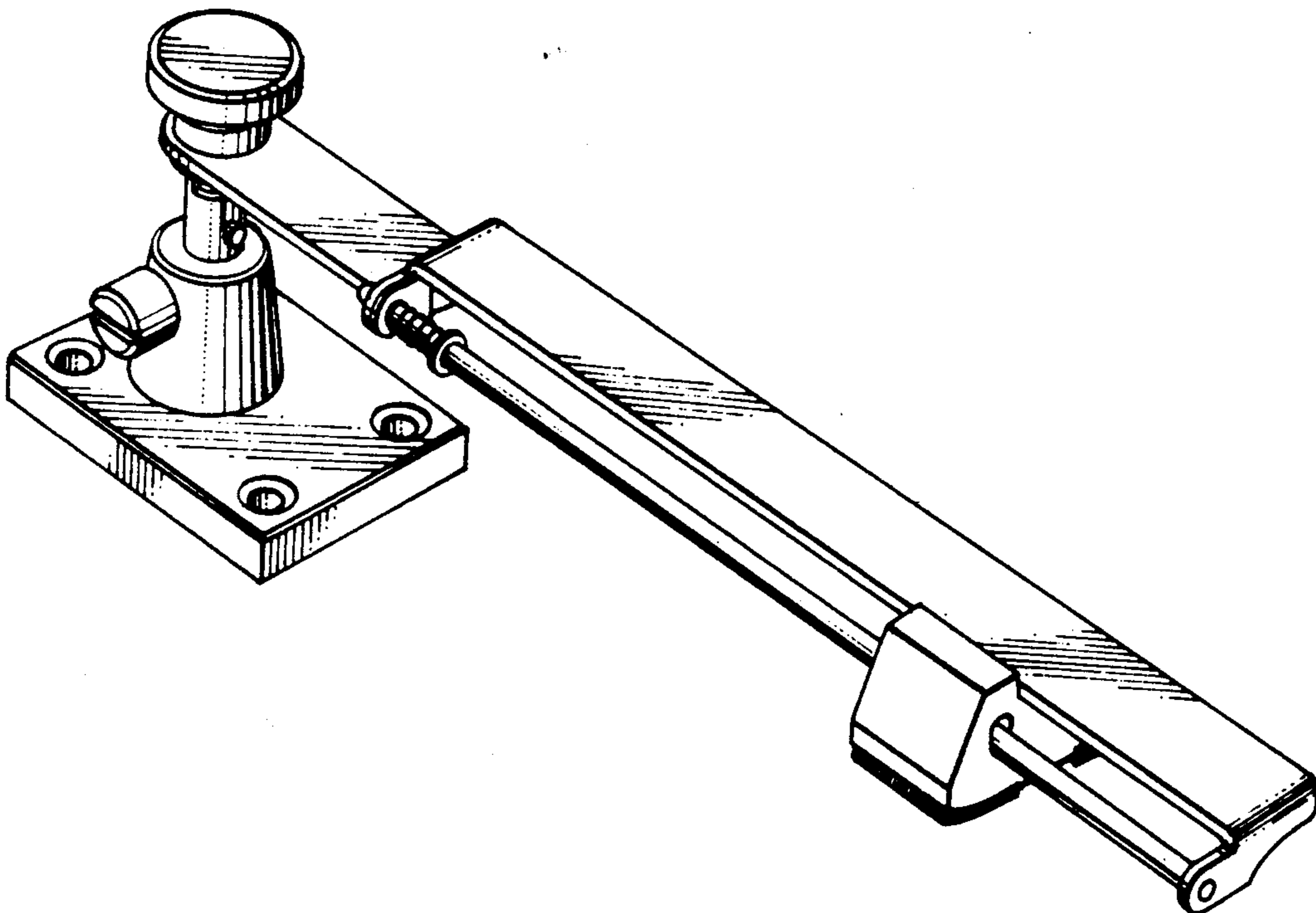
FIG. 1 is a front, top and left side perspective view of a cleaning arm for phonograph records showing my new design;

FIG. 2 is a bottom plan view;

FIG. 3 is a right side elevational view;

FIG. 4 is a rear elevational view; and

FIG. 5 is a front elevational view.



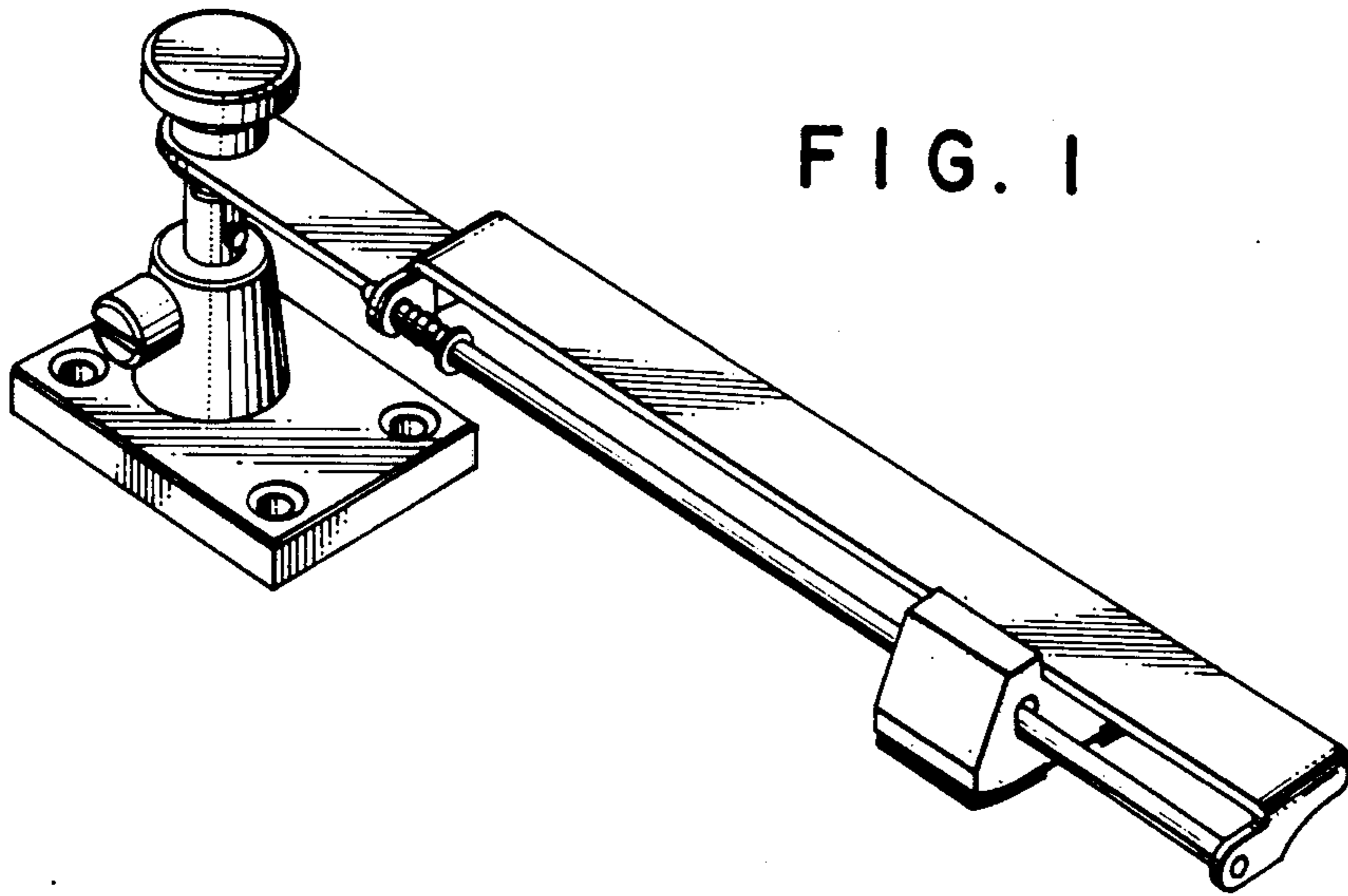


FIG. 1

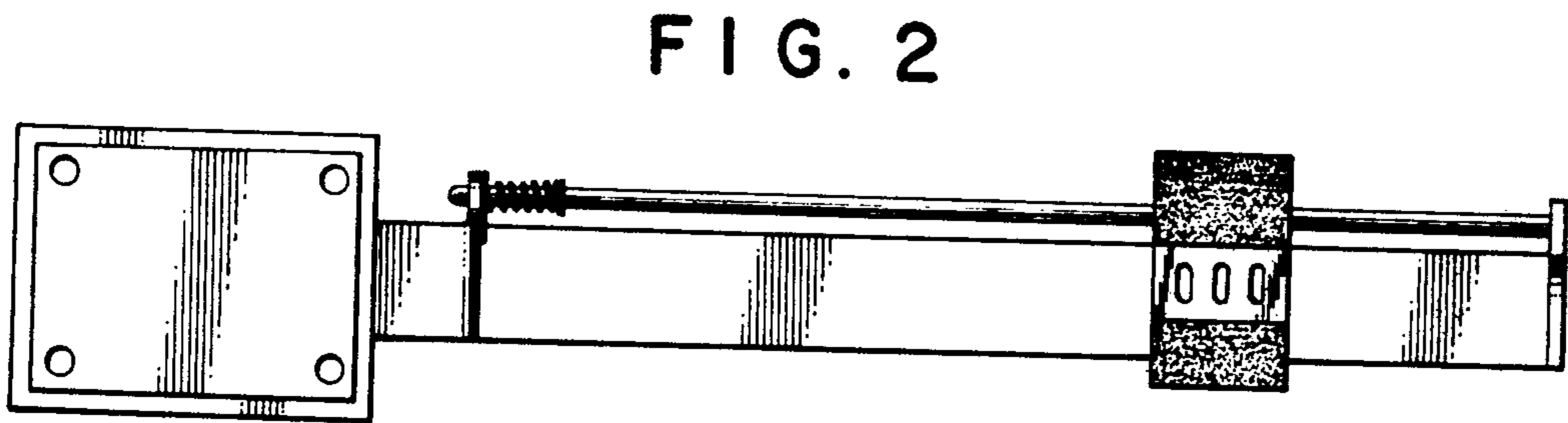


FIG. 2

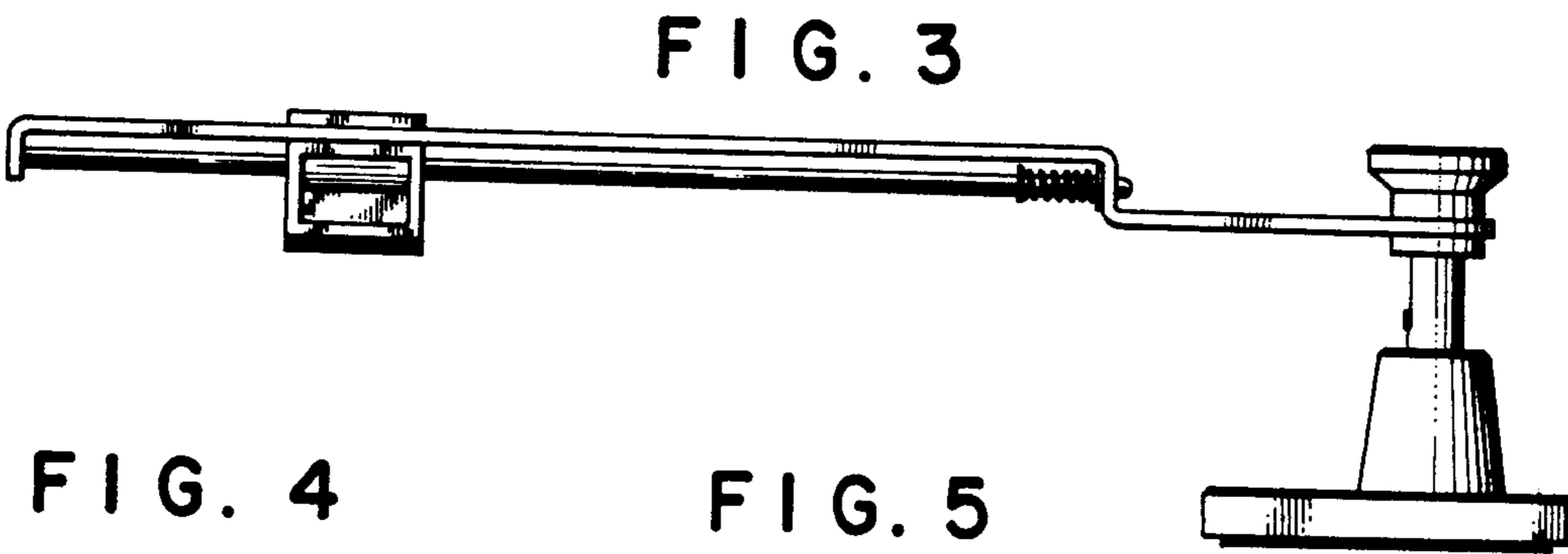


FIG. 3

FIG. 4

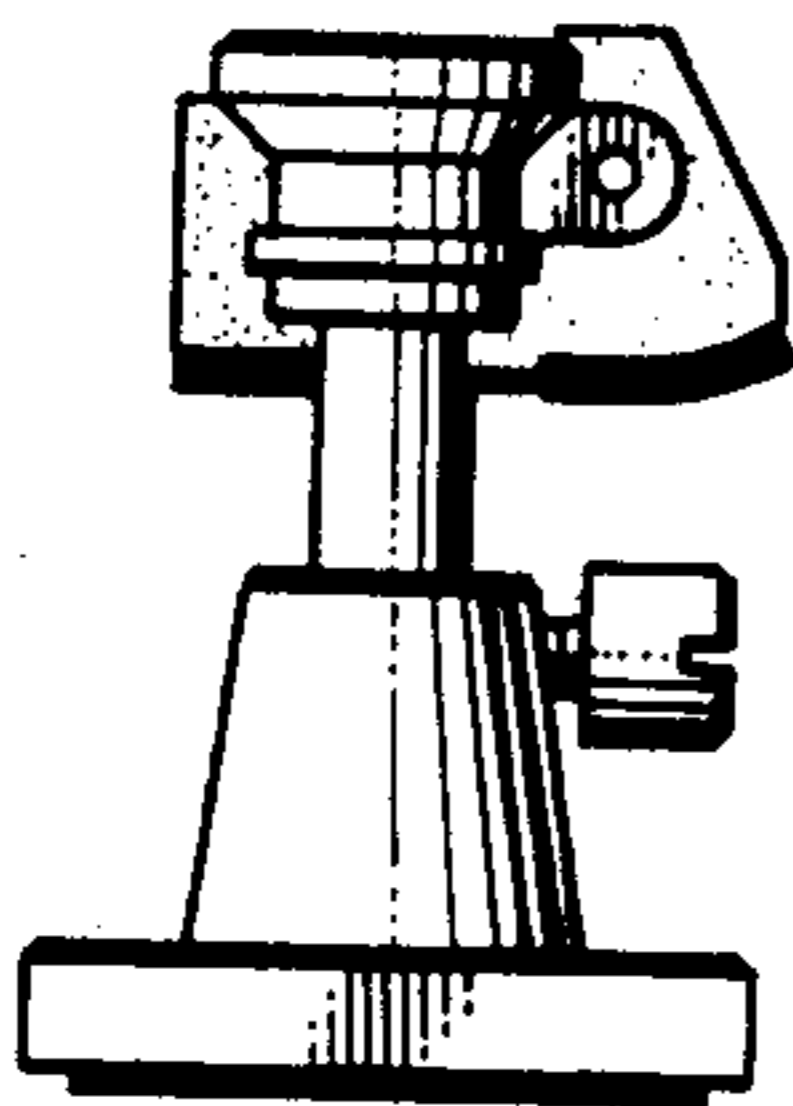


FIG. 5

