

[54] **DIGITAL WATCH DIAL**

[75] Inventors: **Susumu Karibe; Midori Miyata; Eichi Osawa**, all of Tokyo, Japan

[73] Assignee: **Kabushiki Kaisha Daini Seikosha**, Japan

[**] Term: **14 Years**

[21] Appl. No.: **745,373**

[22] Filed: **Nov. 26, 1976**

[30] **Foreign Application Priority Data**

May 28, 1976 [JP] Japan 51-19871

[51] Int. Cl. **D10-07**

[52] U.S. Cl. **D10/125**

[58] Field of Search D10/1, 15, 38 X, 122-126, D10/125; D64/12 B; 340/336, 378 R; 350/336 X; 235/116; 58/50 R, 53-56, 124-126; 116/116

[56] **References Cited**

U.S. PATENT DOCUMENTS

D. 245,074	7/1977	Karibe et al.	D10/38
3,726,250	4/1973	Merk	116/116
3,810,168	5/1974	Nishima	D64/12 B X

3,863,436	2/1975	Schwarzchild	58/53
3,991,552	11/1976	Ho	340/336

Primary Examiner—Nelson C. Holtje
Attorney, Agent, or Firm—Robert E. Burns

[57] **CLAIM**

The ornamental design for a digital watch dial, substantially as shown and described.

DESCRIPTION

FIG. 1 is a front elevational view of a digital watch dial in the deenergized state showing our new design; FIG. 2 is a top plan view thereof; FIG. 3 is a right side elevational view thereof; FIG. 4 is a rear elevational view thereof; FIG. 5 is a front elevational view thereof in a representative energized state displaying the time as 12 hours, 58 minutes, and 1 to 9 seconds; FIG. 6 is another front elevational view thereof in a representative energized state displaying the time as 12 hours, 58 minutes, and 51 to 60 seconds; and FIG. 7 is a further front elevational view thereof in a representative energized state displaying the third month of the year as 3 and the date as the 26th. The bottom and left side of the digital watch dial are similar respectively to the top and right side.

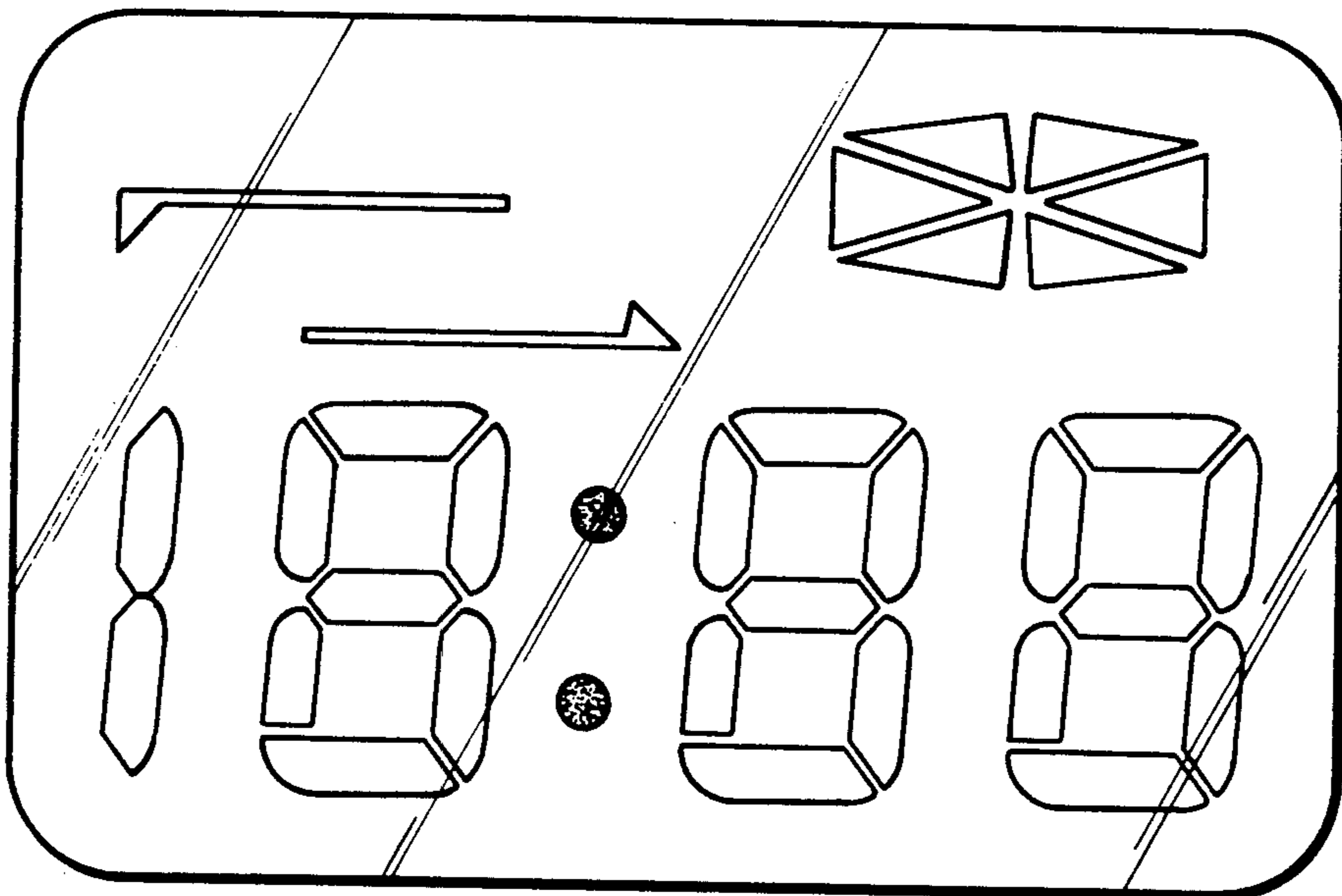


FIG. 2

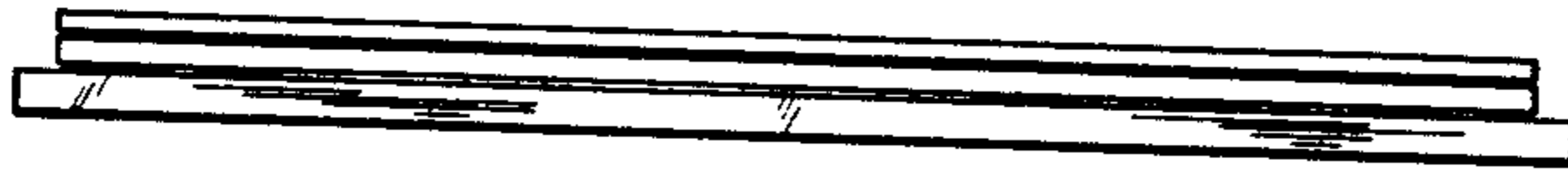


FIG. 1

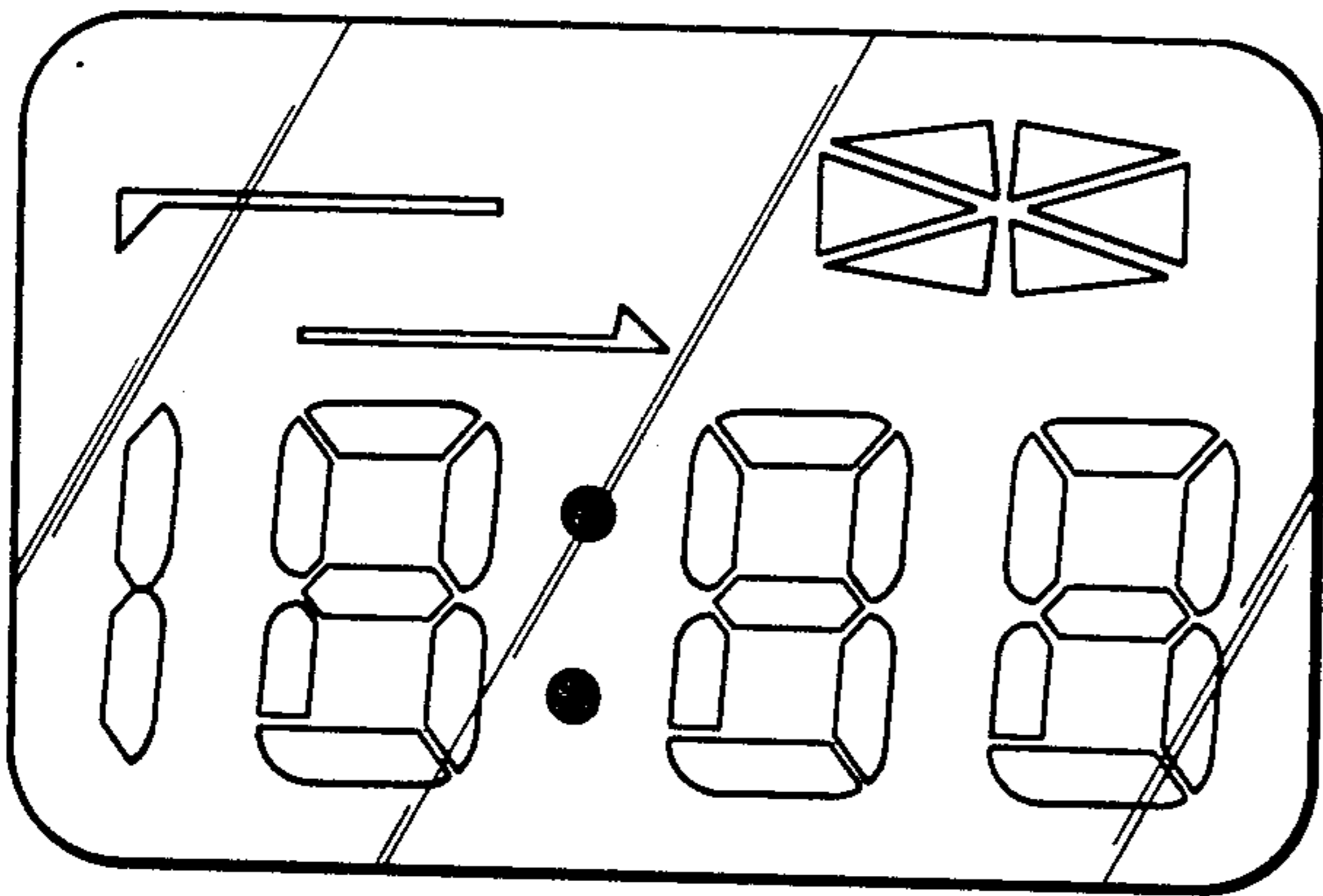


FIG. 3



FIG. 4

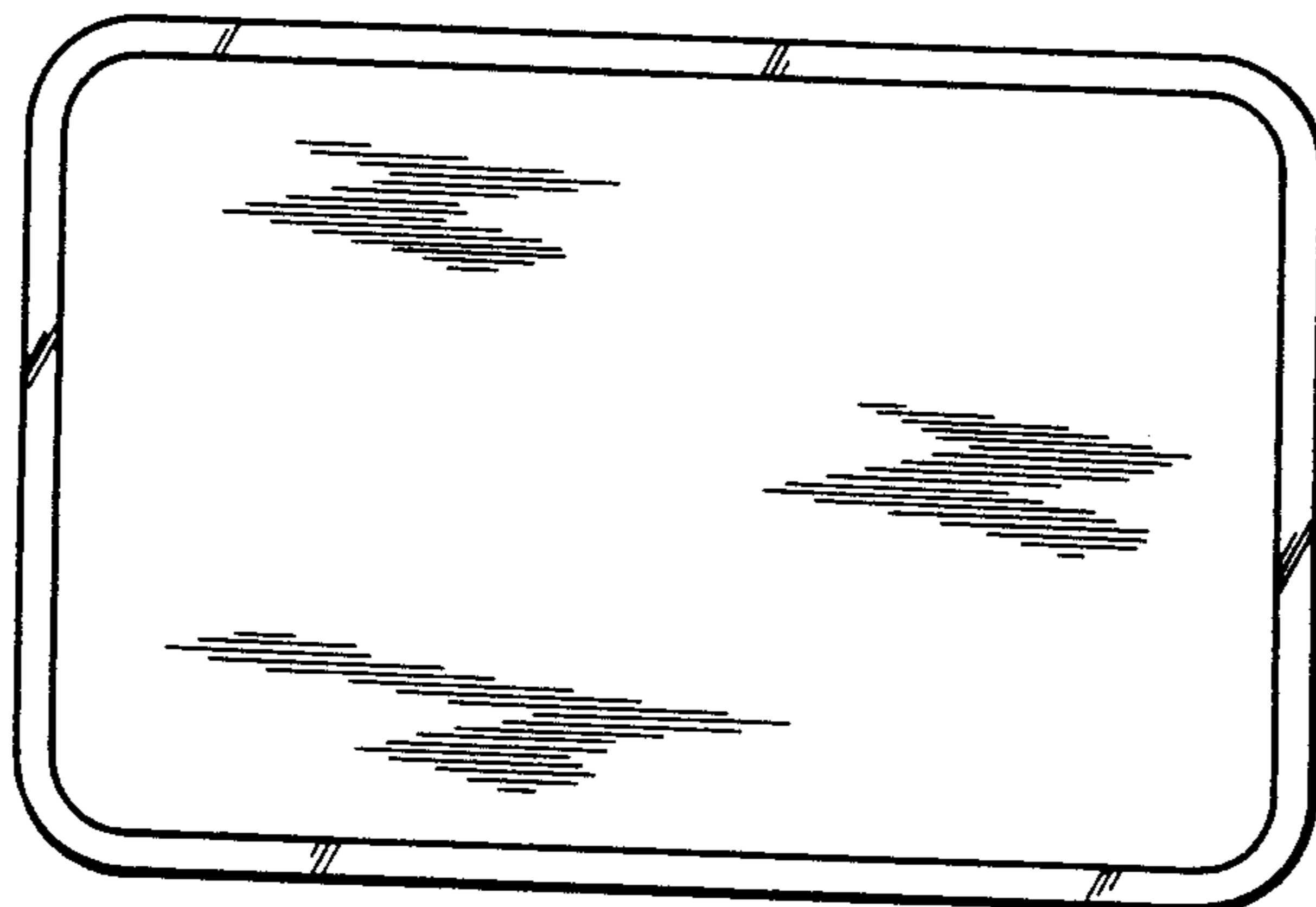


FIG. 5

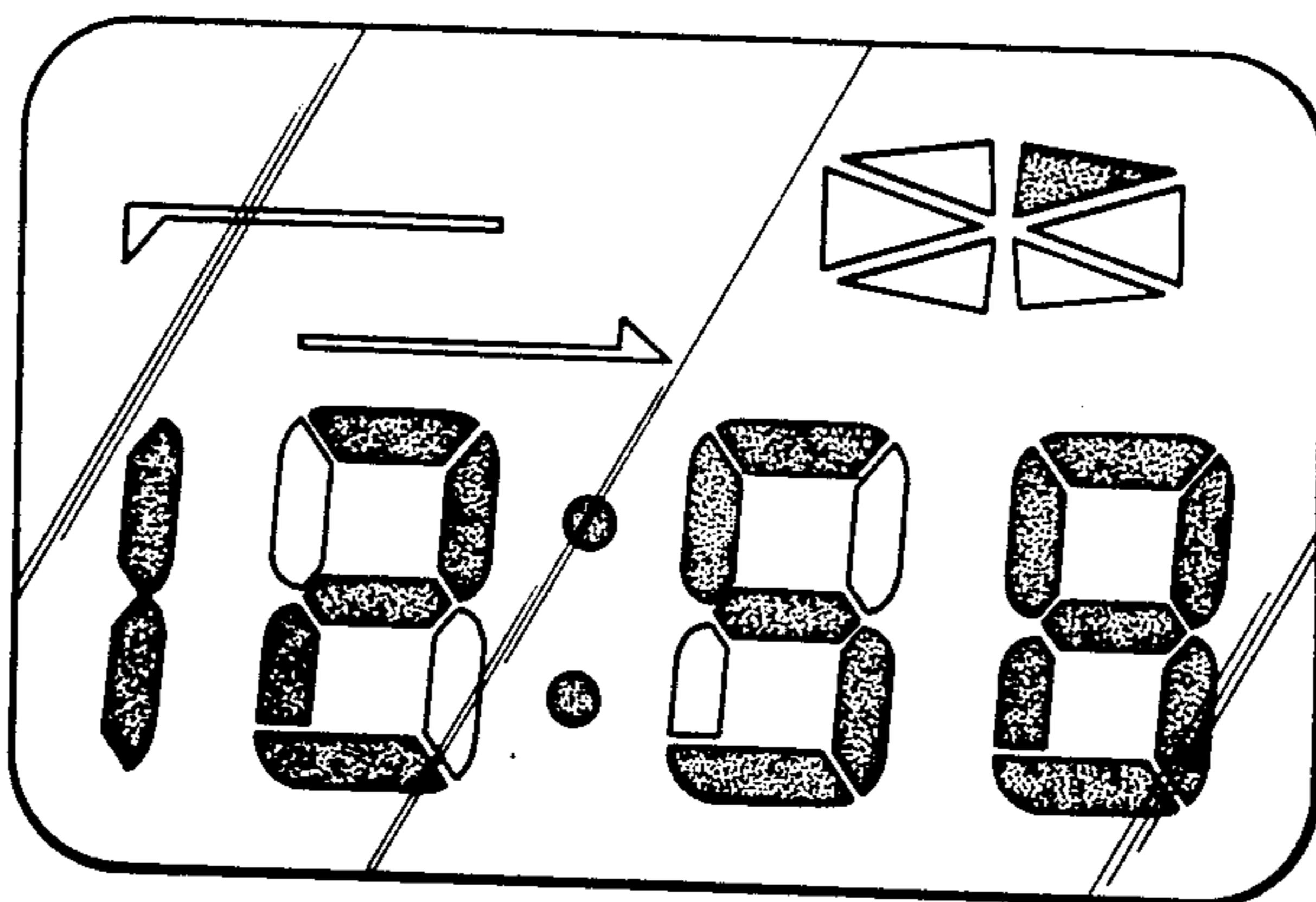


FIG. 6

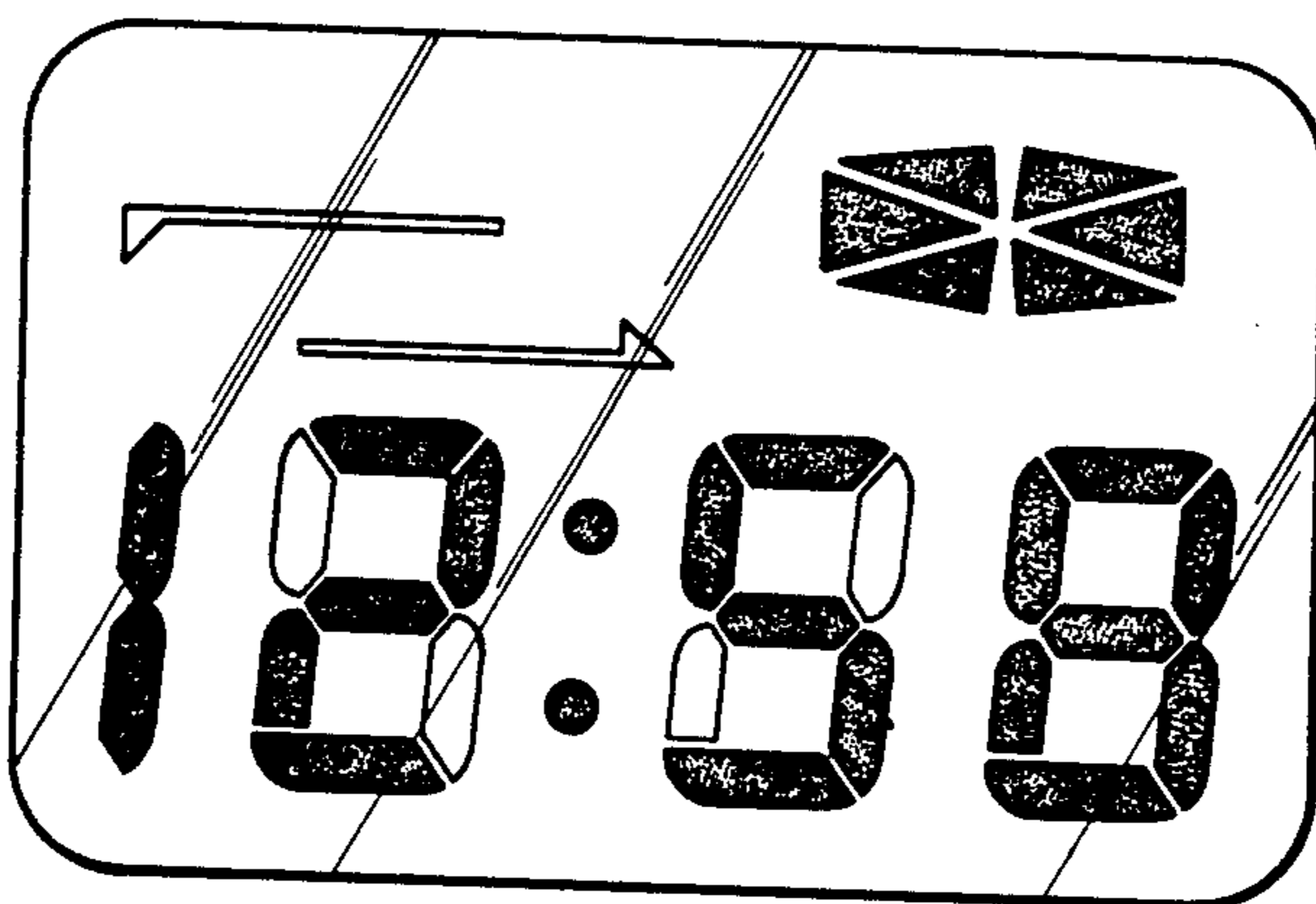


FIG. 7

