

[54] KEY

[75] Inventors: Robert H. Hanneman, Franklin;
Kenneth N. Grandy, South
Milwaukee, both of Wis.

[73] Assignee: Master Lock Company, Milwaukee,
Wis.

[**] Term: 14 Years

[21] Appl. No.: 782,717

[22] Filed: Mar. 30, 1977

[51] Int. Cl. D8-07

[52] U.S. Cl. D8/347

[58] Field of Search D8/347; 76/110;
70/393-399, 401-412

[56]

References Cited

U.S. PATENT DOCUMENTS

D. 206,397	12/1966	Ohno	D8/347
D. 212,713	11/1968	Unter	D8/347
2,754,701	7/1956	Swanson	76/110
3,388,619	6/1968	Schreiber et al.	76/110

Primary Examiner—James M. Gandy
Attorney, Agent, or Firm—Curtis B. Morsell, Sr.

[57]

CLAIM

The ornamental design for a key, as shown.

DESCRIPTION

FIG. 1 is a side elevational view of a key showing our new design;

FIG. 2 is a side elevational view thereof opposite to that shown in FIG. 1; and

FIG. 3 is an enlarged fragmentary transverse sectional view thereof taken along line 3—3 in FIG. 1.

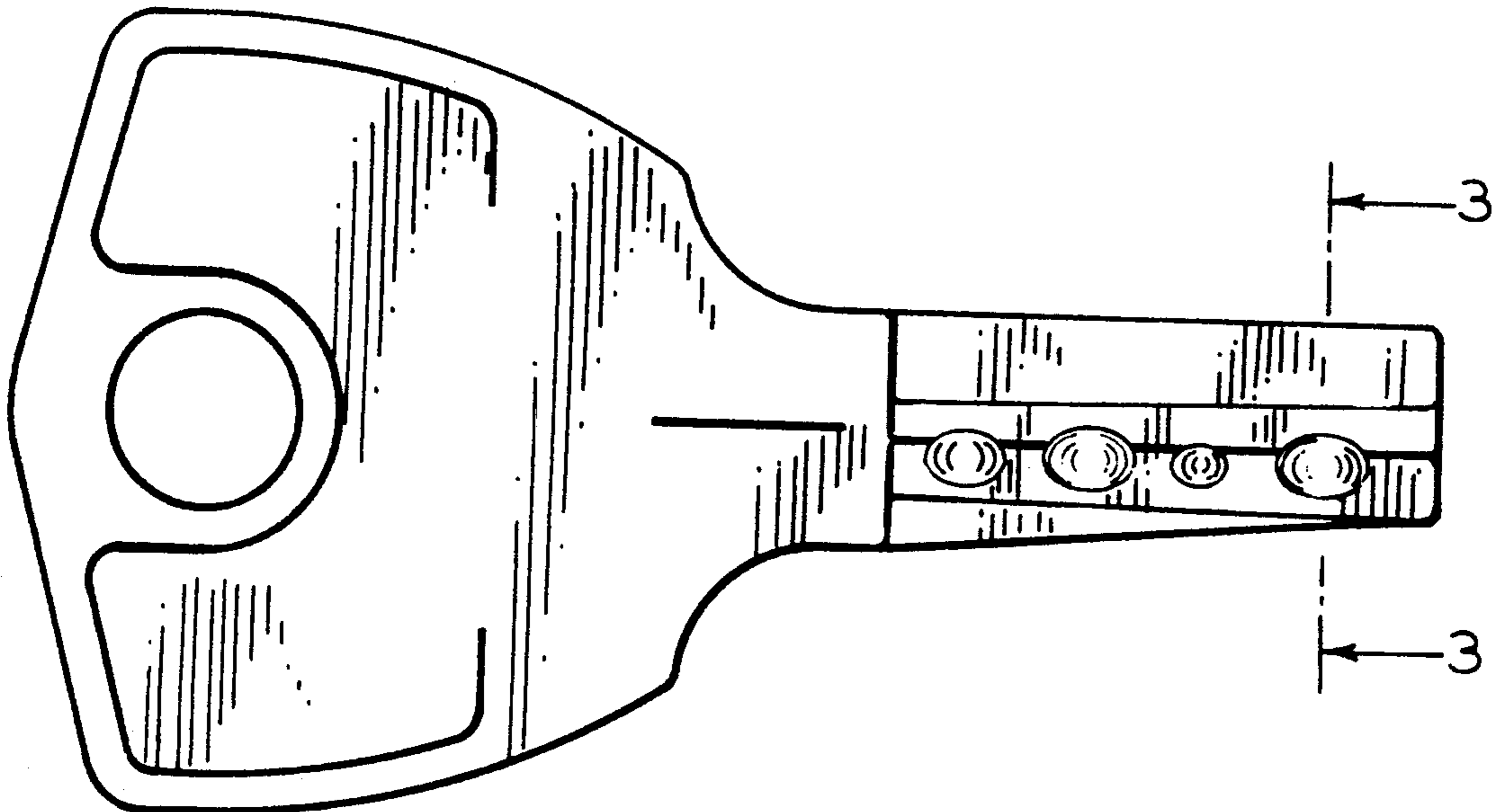


FIG-1

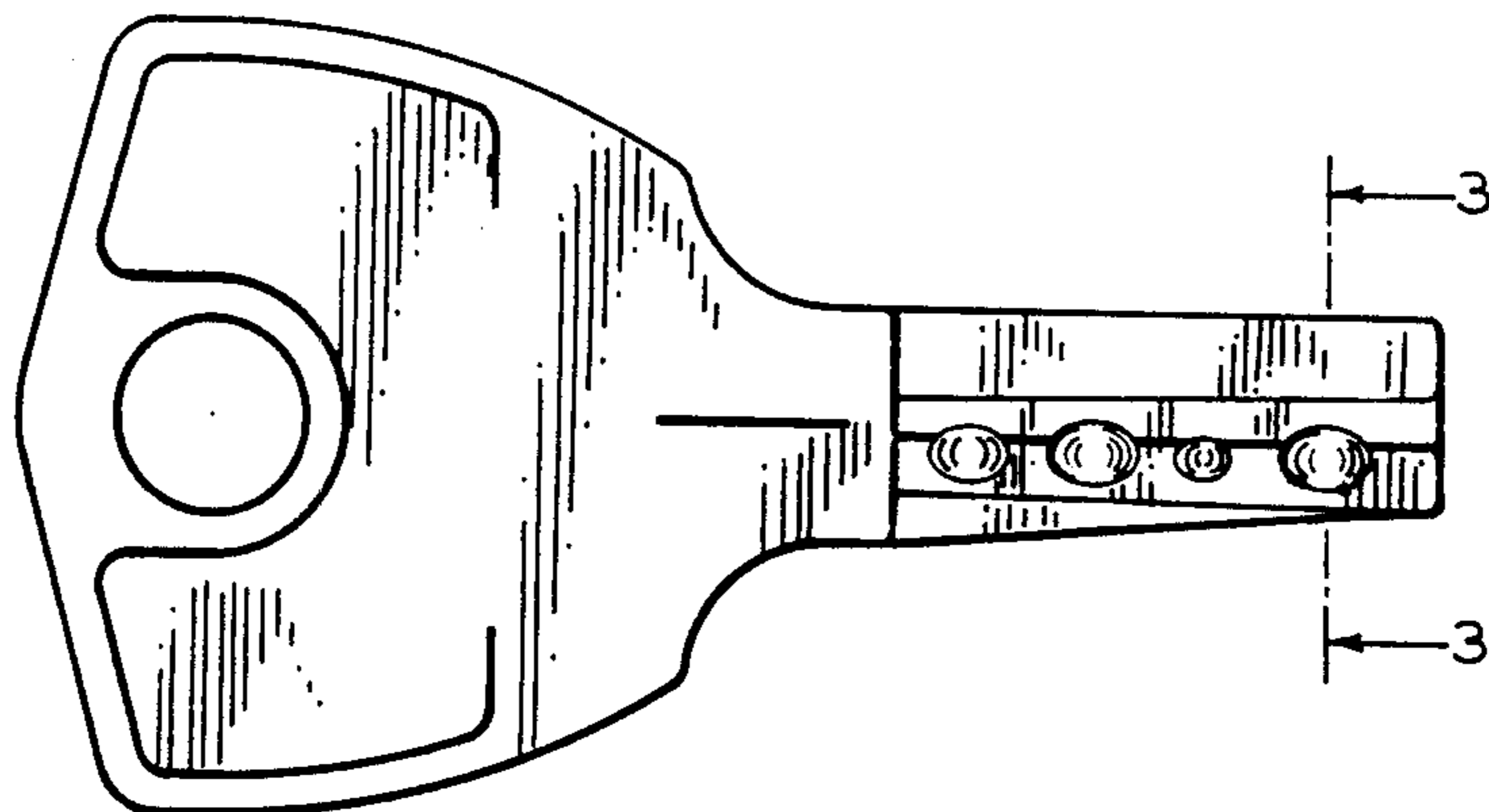


FIG-2

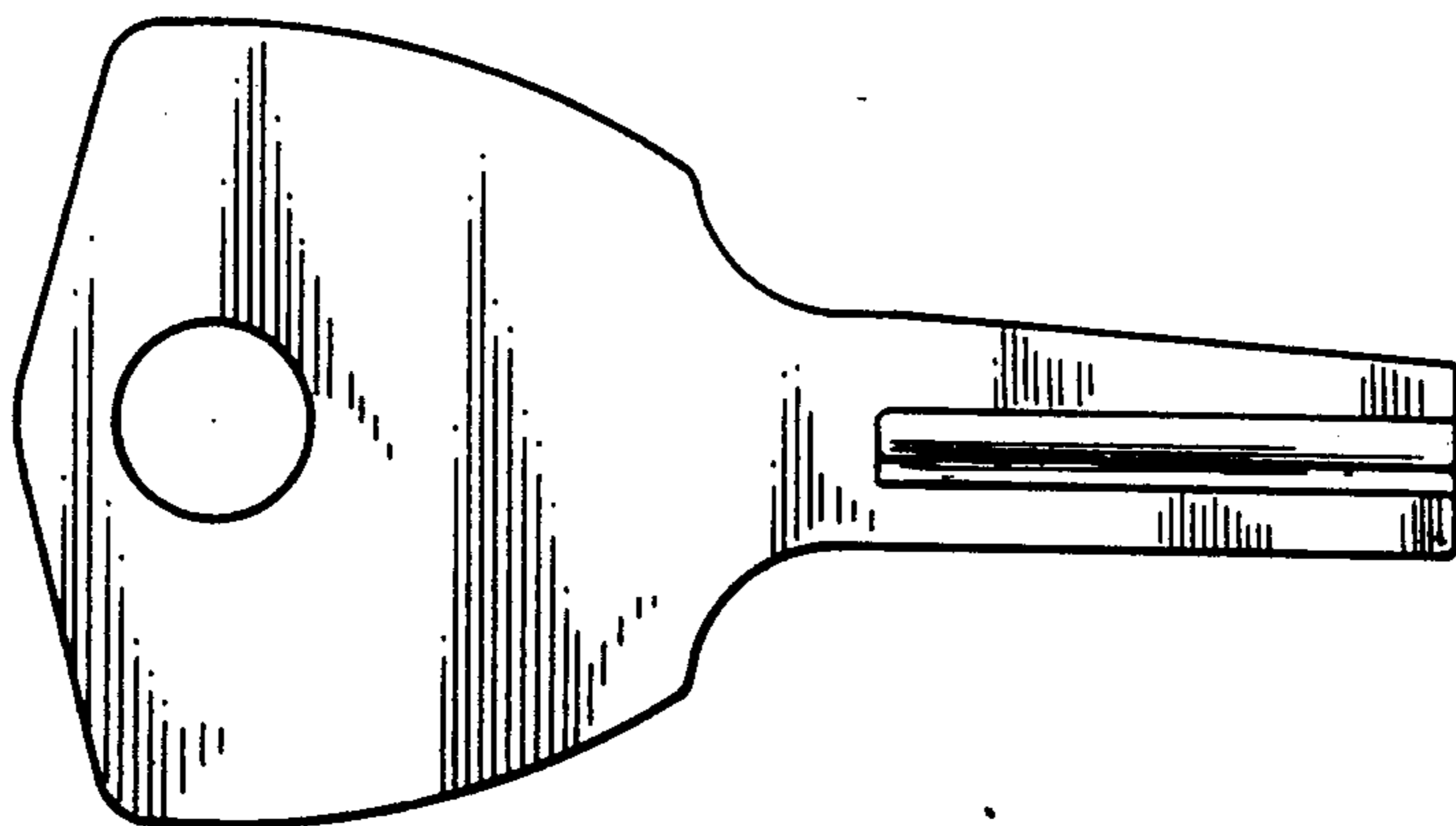


FIG-3

