

# United States Patent [19]

Csokasy et al.

[11] **Des. 250,989**

[45] **\*\* Feb. 6, 1979**

[54] **STRUT**

[75] Inventors: **Louis R. Csokasy, Bristol; Steve A. Spretnjak, Elkhart, both of Ind.**

[73] Assignee: **Excel Industries, Inc., Elkhart, Ind.**

[\*\*] Term: **14 Years**

[21] Appl. No.: **758,157**

[22] Filed: **Jan. 10, 1977**

[51] Int. Cl. .... **D8-09**

[52] U.S. Cl. .... **D8/330**

[58] Field of Search ..... 16/52, 51, 49, 66;  
D15/138; 252/262, 338; D8/330

[56]

### References Cited

#### U.S. PATENT DOCUMENTS

D. 216,825 3/1970 Hunnicutt et al. .... D15/138

D. 241,003 8/1976 Meisner ..... D8/330  
D. 244,004 4/1977 Searer ..... D8/330  
2,596,676 5/1952 Goderez ..... D8/330 X

*Primary Examiner*—A. Hugo Word  
*Attorney, Agent, or Firm*—James D. Hall

[57] **CLAIM**

The ornamental design for a strut, as shown.

### DESCRIPTION

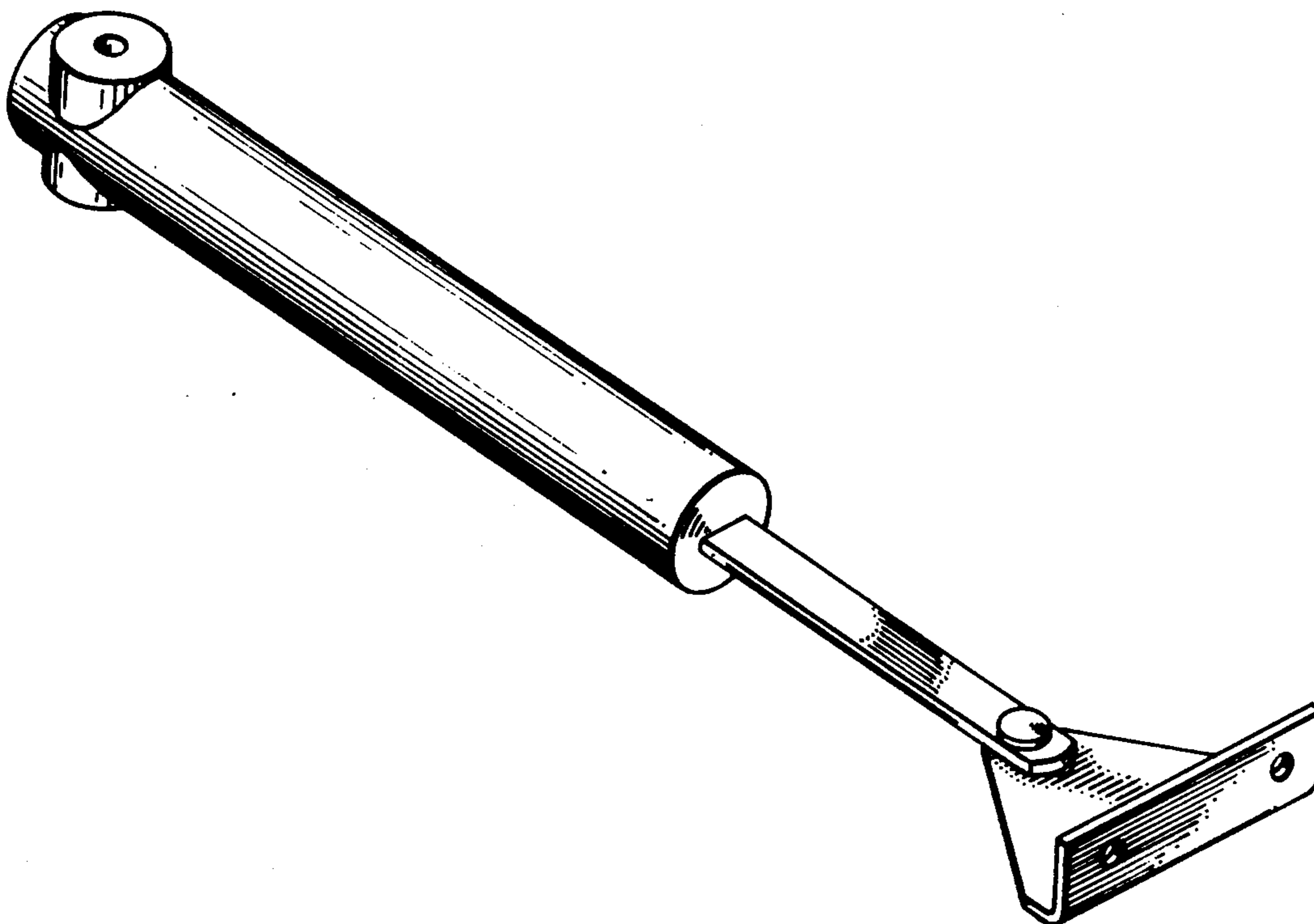
FIG. 1 is a perspective view of a strut showing our new design;

FIG. 2 is a side view thereof as seen from the rear of FIG. 1;

FIG. 3 is a bottom plan view thereof as seen from the bottom of FIG. 1;

FIG. 4 is an end view thereof as seen from the right of FIG. 1; and

FIG. 5 is an end view thereof as seen from the left of FIG. 1.



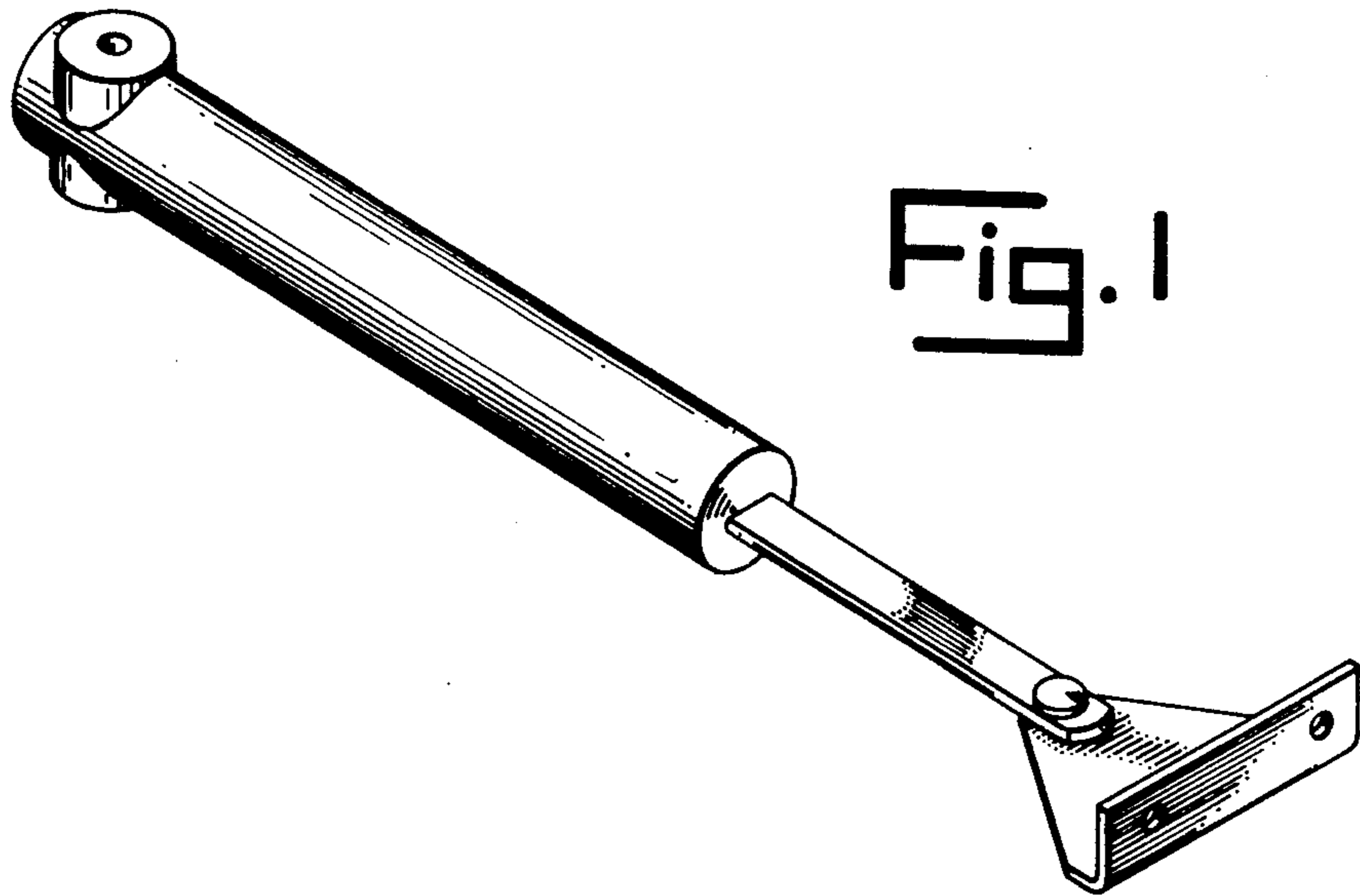


Fig. 1

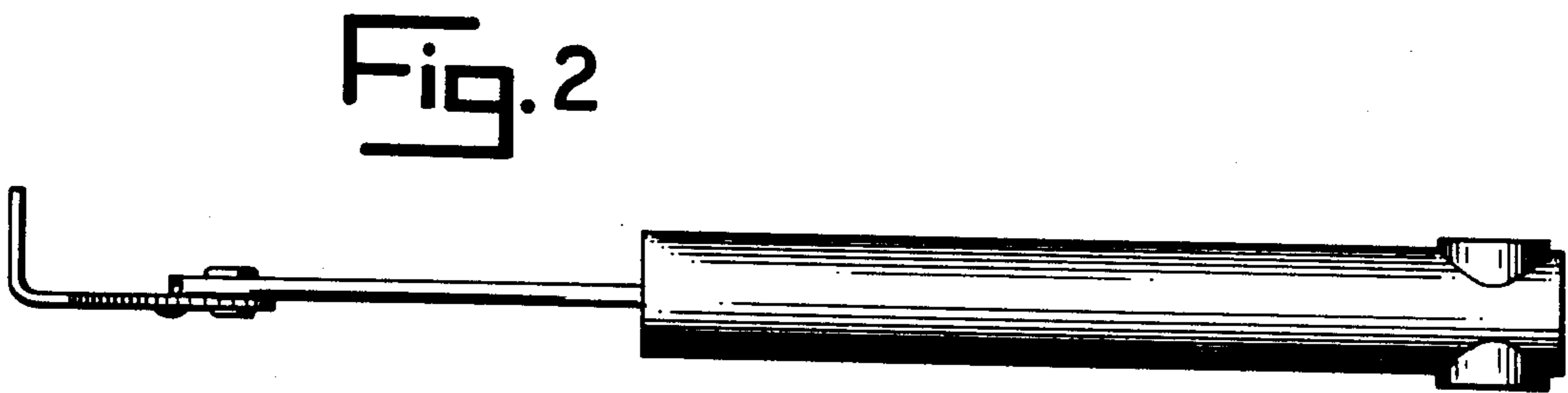


Fig. 2

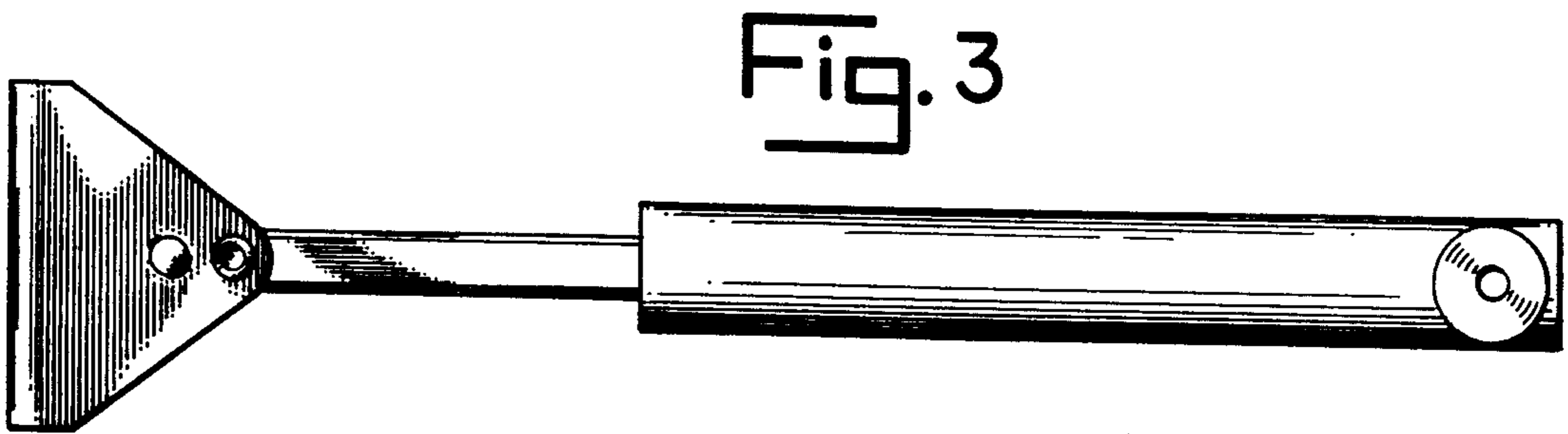


Fig. 3

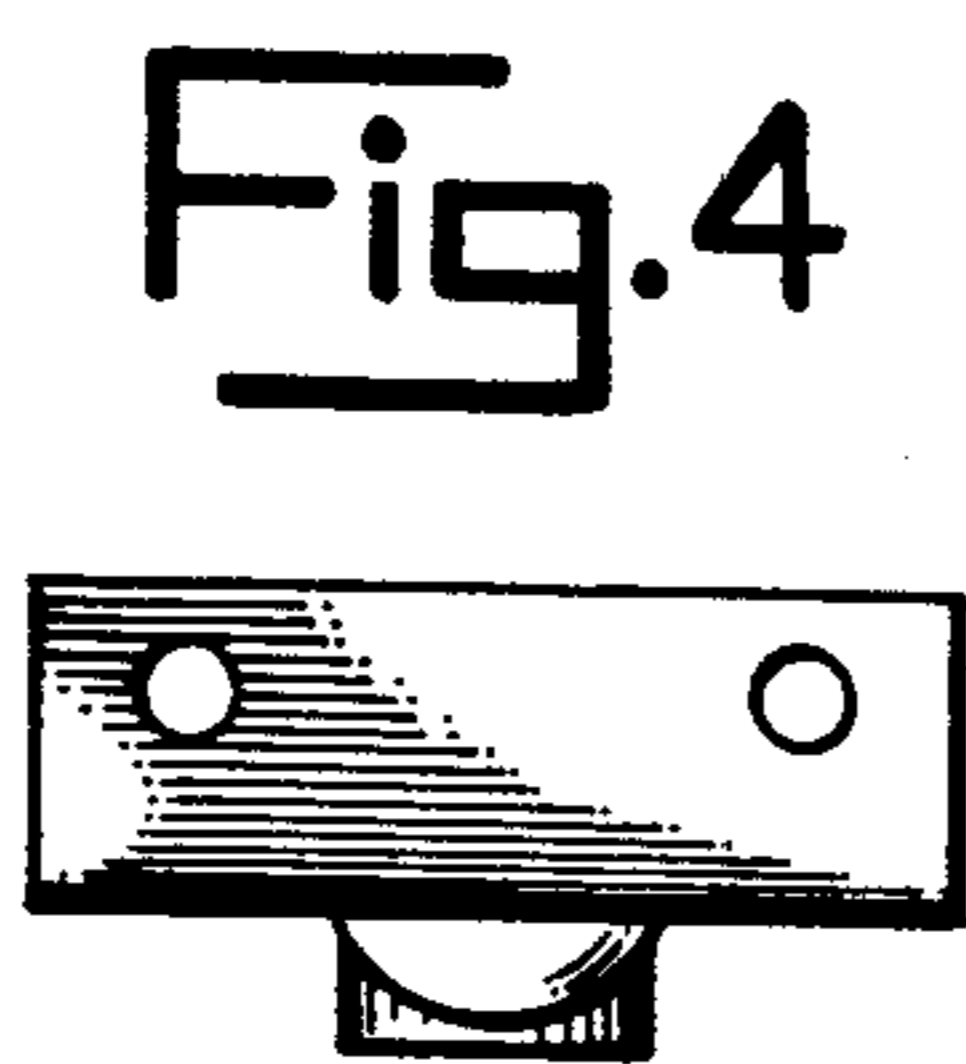


Fig. 4

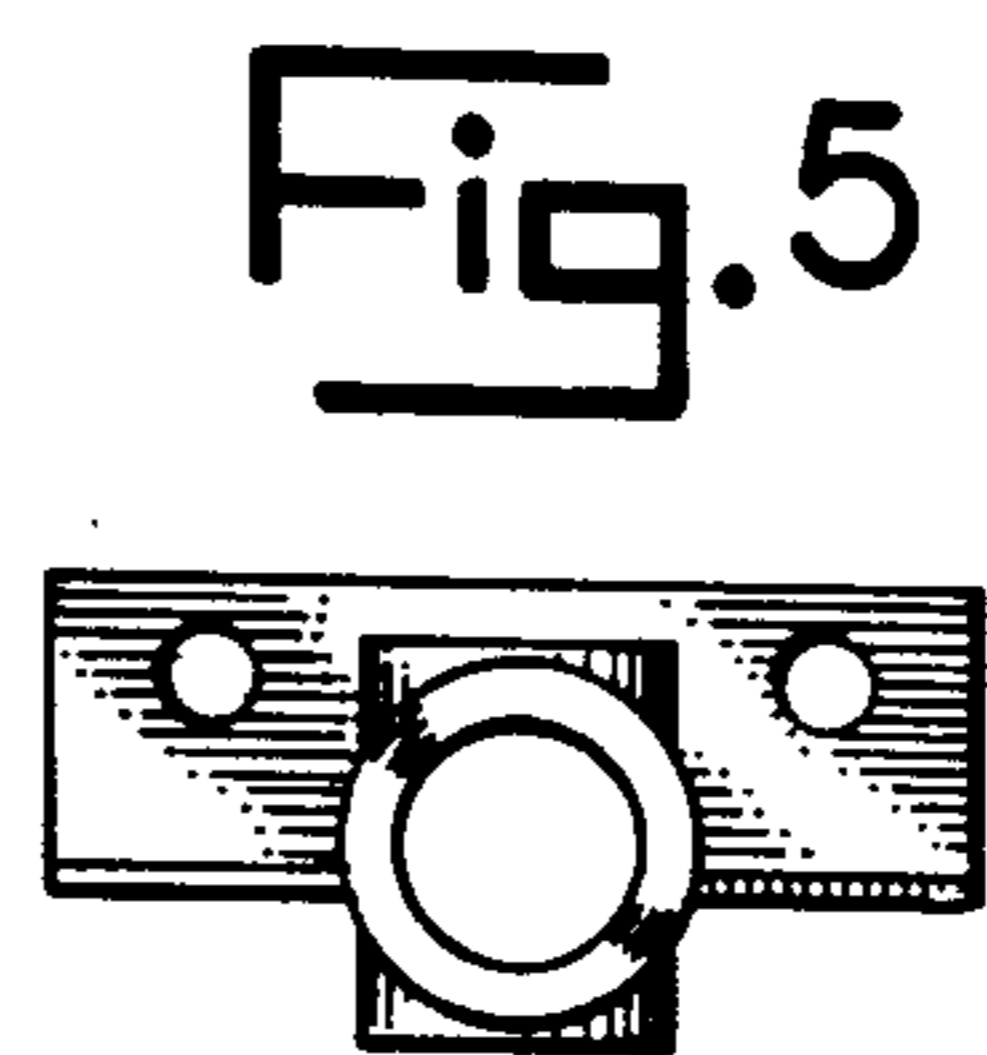


Fig. 5