

[54] BOOK STAND

[76] Inventor: Joseph Schwartz, 841A Heritage Village, Southbury, Conn. 06488

[**] Term: 14 Years

[21] Appl. No.: 910,655

[22] Filed: May 30, 1978

[51] Int. Cl. D6-99

[52] U.S. Cl. D6/184; D19/91

[58] Field of Search D6/85, 157, 184, 188; D19/86, 87, 90, 91; 248/441, 459, 460, 461

[56] References Cited

U.S. PATENT DOCUMENTS

- D. 165,817 2/1952 Bargaen D6/184
- D. 181,693 12/1957 Tichnor D19/91 X
- D. 196,591 10/1963 La Falce D6/184
- D. 212,425 10/1968 Gildea D6/184 X

D. 218,980 10/1970 Balkus D6/184 X

Primary Examiner—Bruce W. Dunkins
Attorney, Agent, or Firm—Louis H. Reens

[57] CLAIM

The ornamental design for a book stand, as shown and described.

DESCRIPTION

FIG. 1 is a perspective view of the book stand in accordance with the invention;
 FIG. 2 is a top plan view of the book stand in accordance with the invention;
 FIG. 3 is a front view in elevation of the book stand in accordance with the invention;
 FIG. 4 is a side view in elevation of the book stand as illustrated in FIG. 3; and
 FIG. 5 is a bottom view of the book stand in accordance with the invention.
 The side of the book stand not shown is a mirror image of the side shown in FIG. 4.

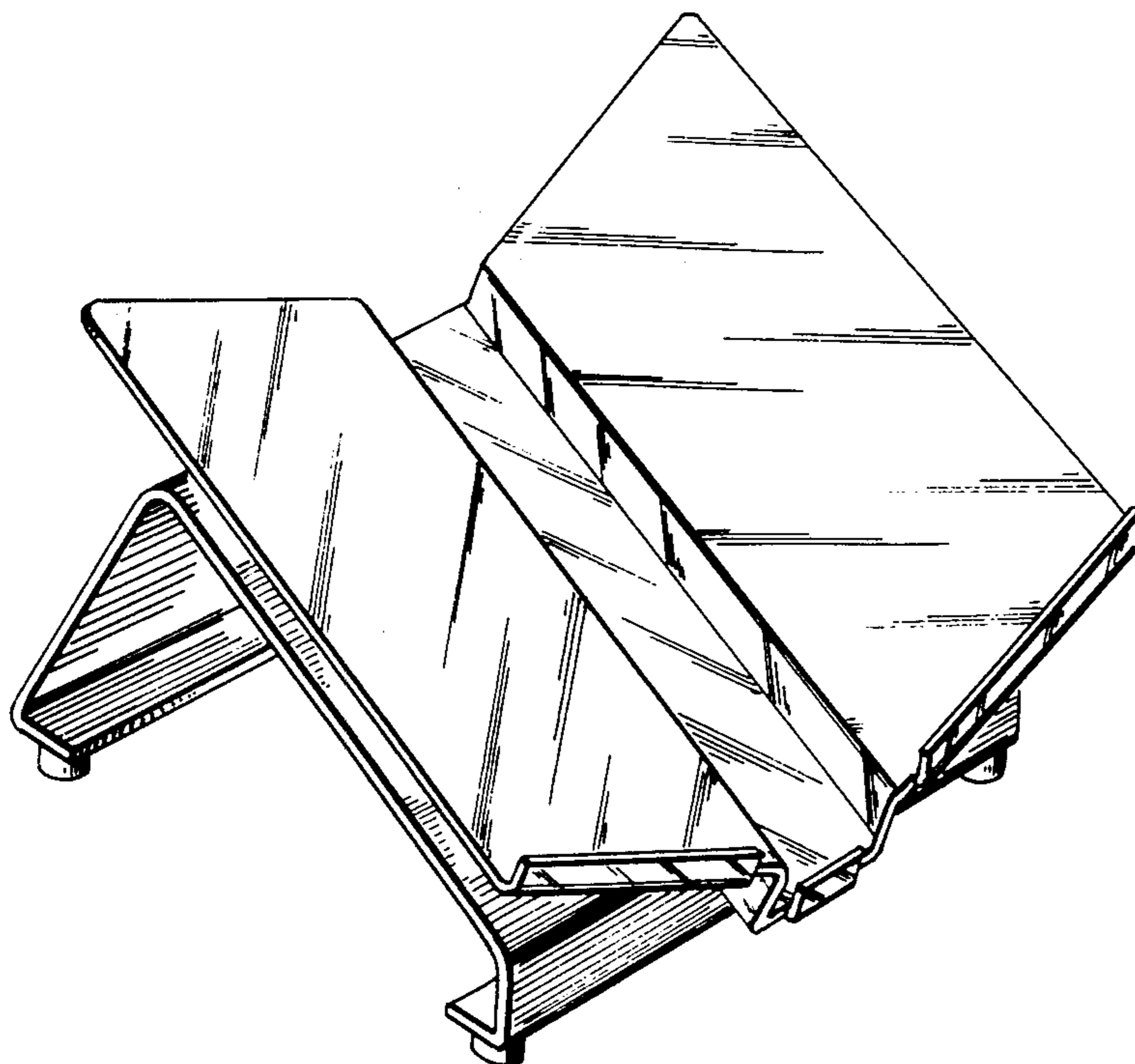


Fig. 1.

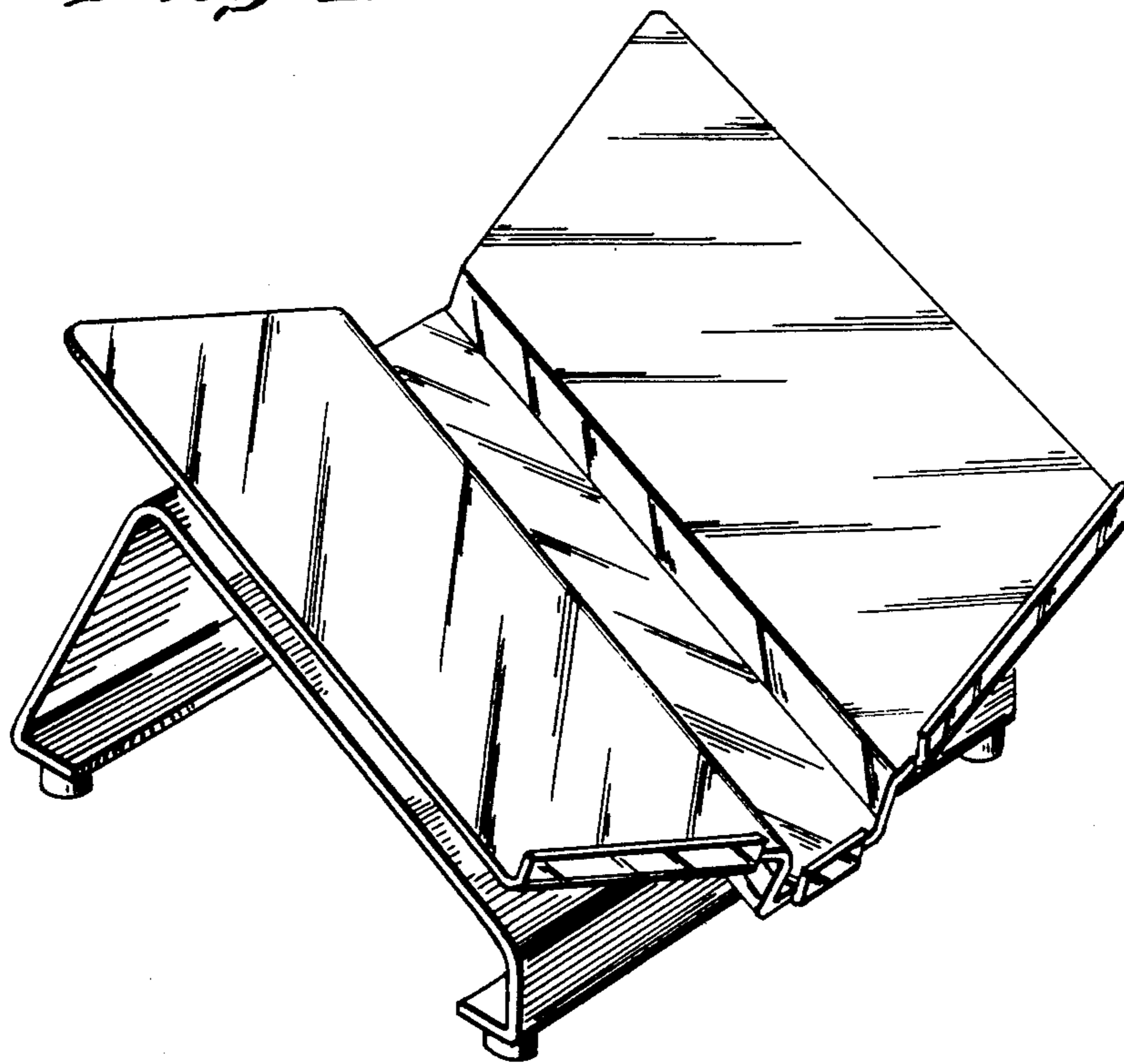


Fig. 2.

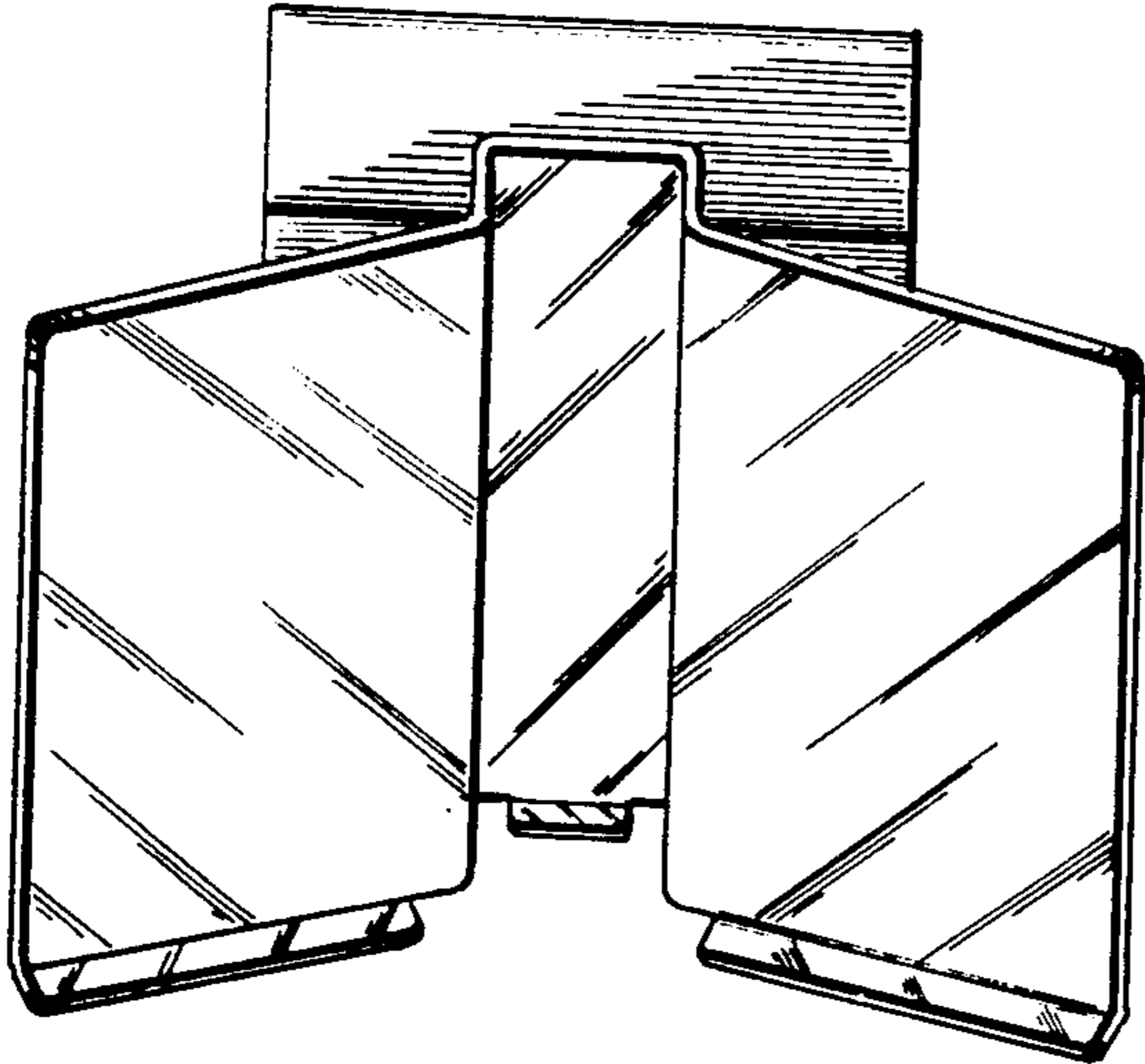


Fig. 3.

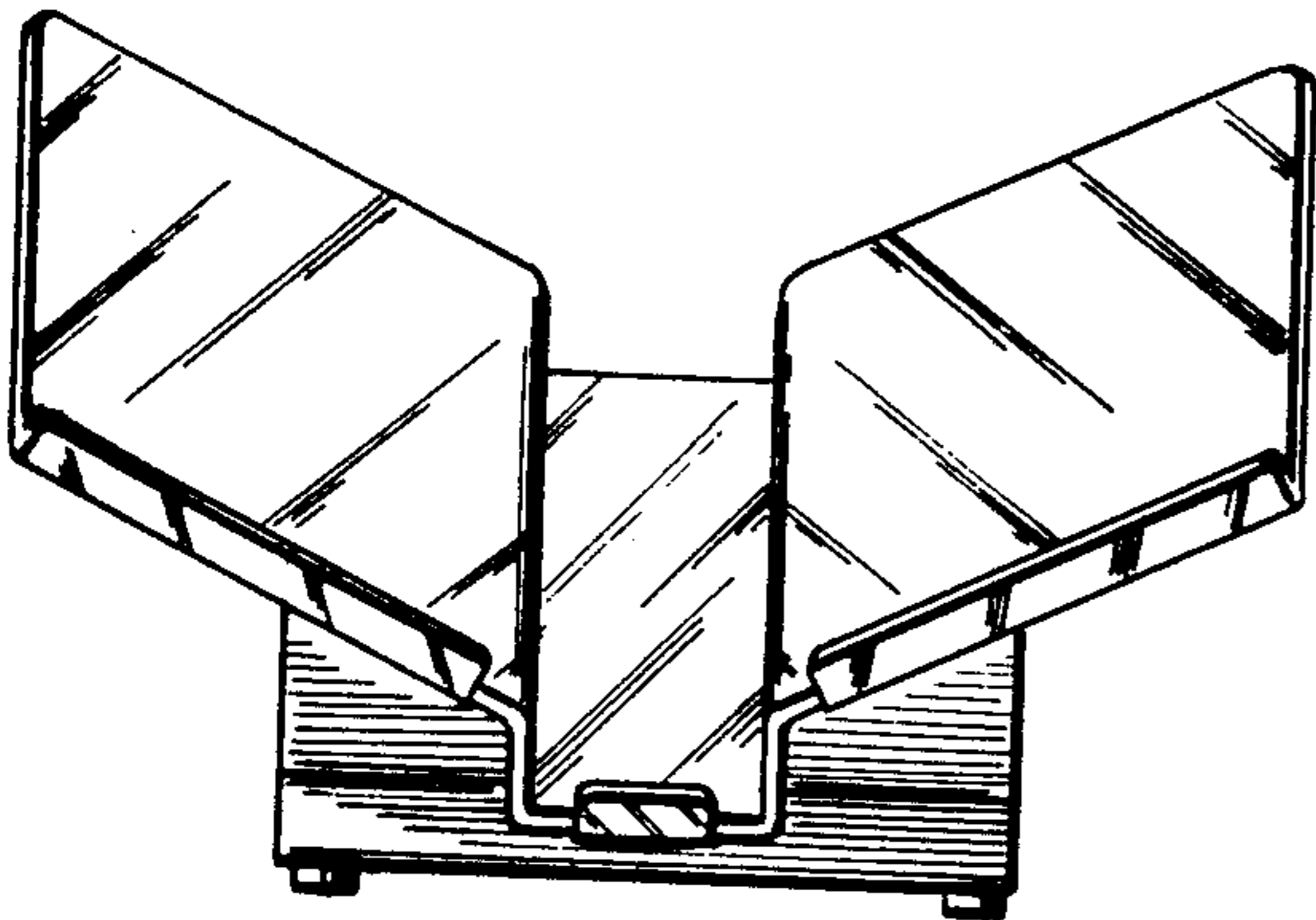


Fig. 4.

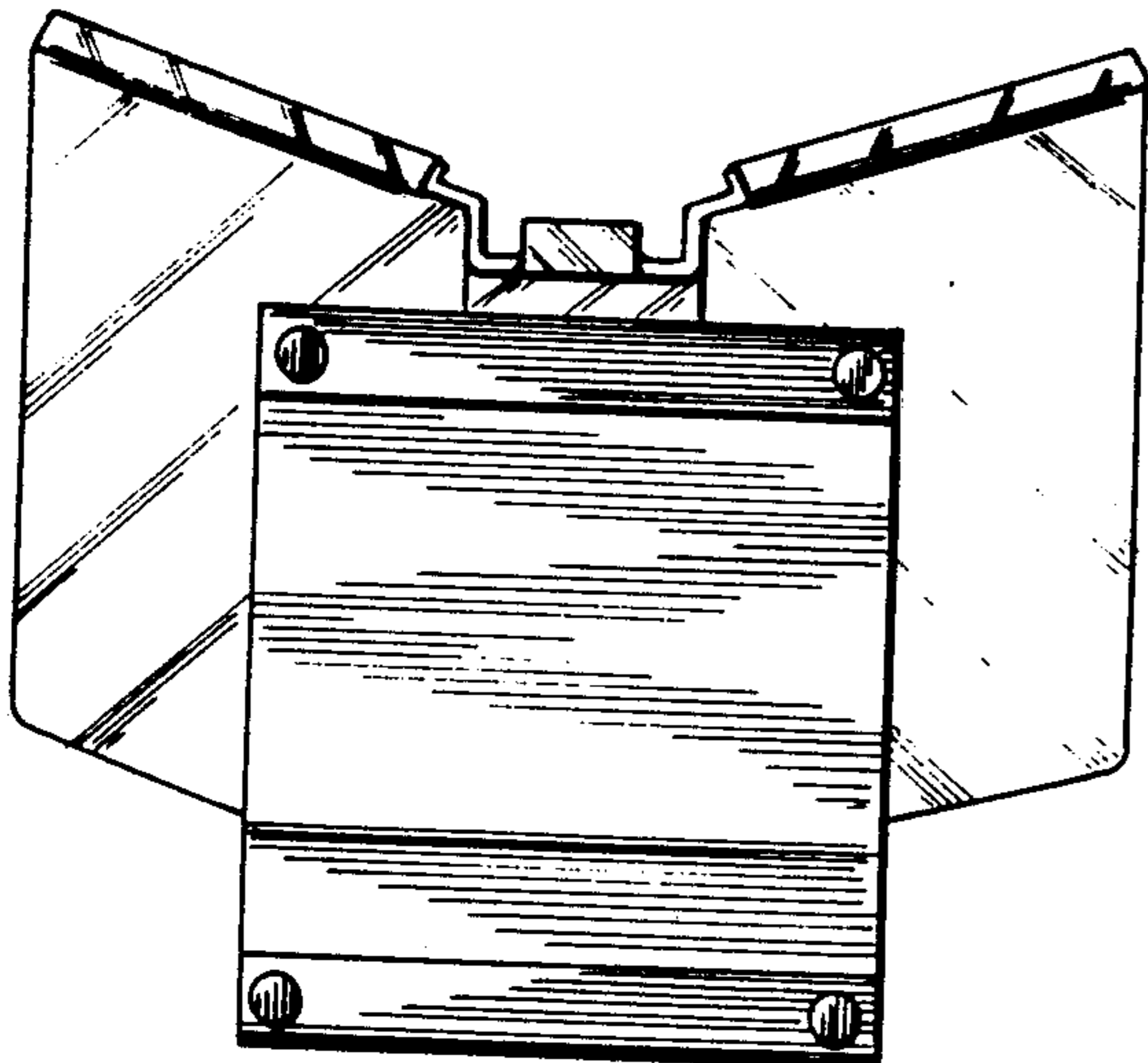
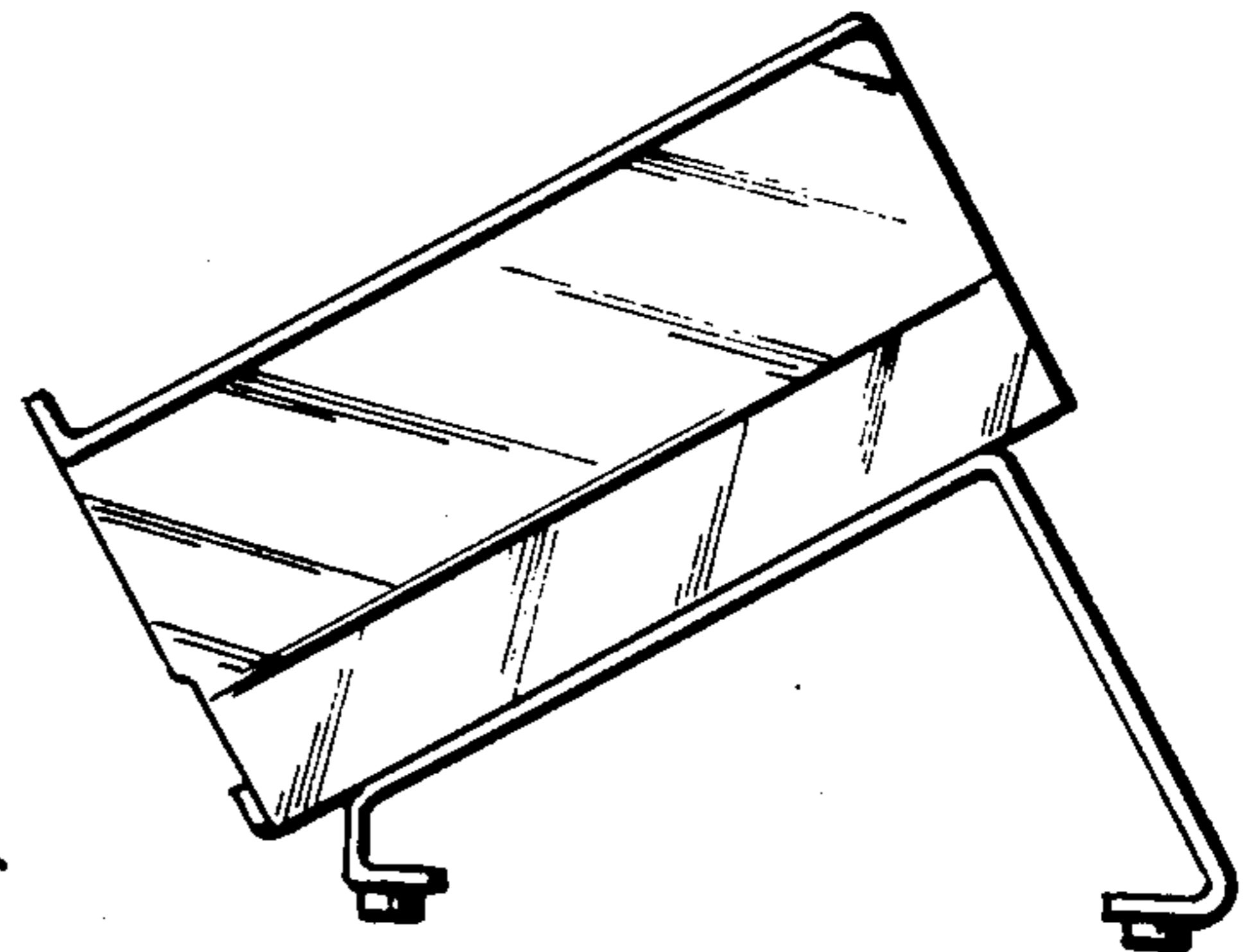


Fig. 5.