

[54] **SUPPORT FOR USE WITH ELECTRONIC  
COMPUTER UNITS**

[75] **Inventor: David A. O'Connor, Virginia Beach,  
Va.**

[73] **Assignee: Virginia National Bankshares, Inc.**

[\*\*] **Term: 14 Years**

[21] **Appl. No.: 880,978**

[22] **Filed: Feb. 24, 1978**

**Related U.S. Application Data**

[62] **Division of Ser. No. 669,604, Mar. 23, 1976.**

[51] **Int. Cl. .... D6-99**

[52] **U.S. Cl. .... D6/85; D6/157;  
D6/186; D6/190**

[58] **Field of Search** ..... D6/164, 191, 181, 186,  
D6/158, 159, 85, 162, 165, 166, 167, 169

[56] **References Cited**

**U.S. PATENT DOCUMENTS**

D. 241,549	9/1976	Rota .....	D6/164 X
D. 243,306	2/1977	Moyer .....	D6/191
3,095,975	7/1963	Cassel et al. ....	D6/191 X

*Primary Examiner*—Bruce W. Dunkins  
*Attorney, Agent, or Firm*—Edward J. Kondracki

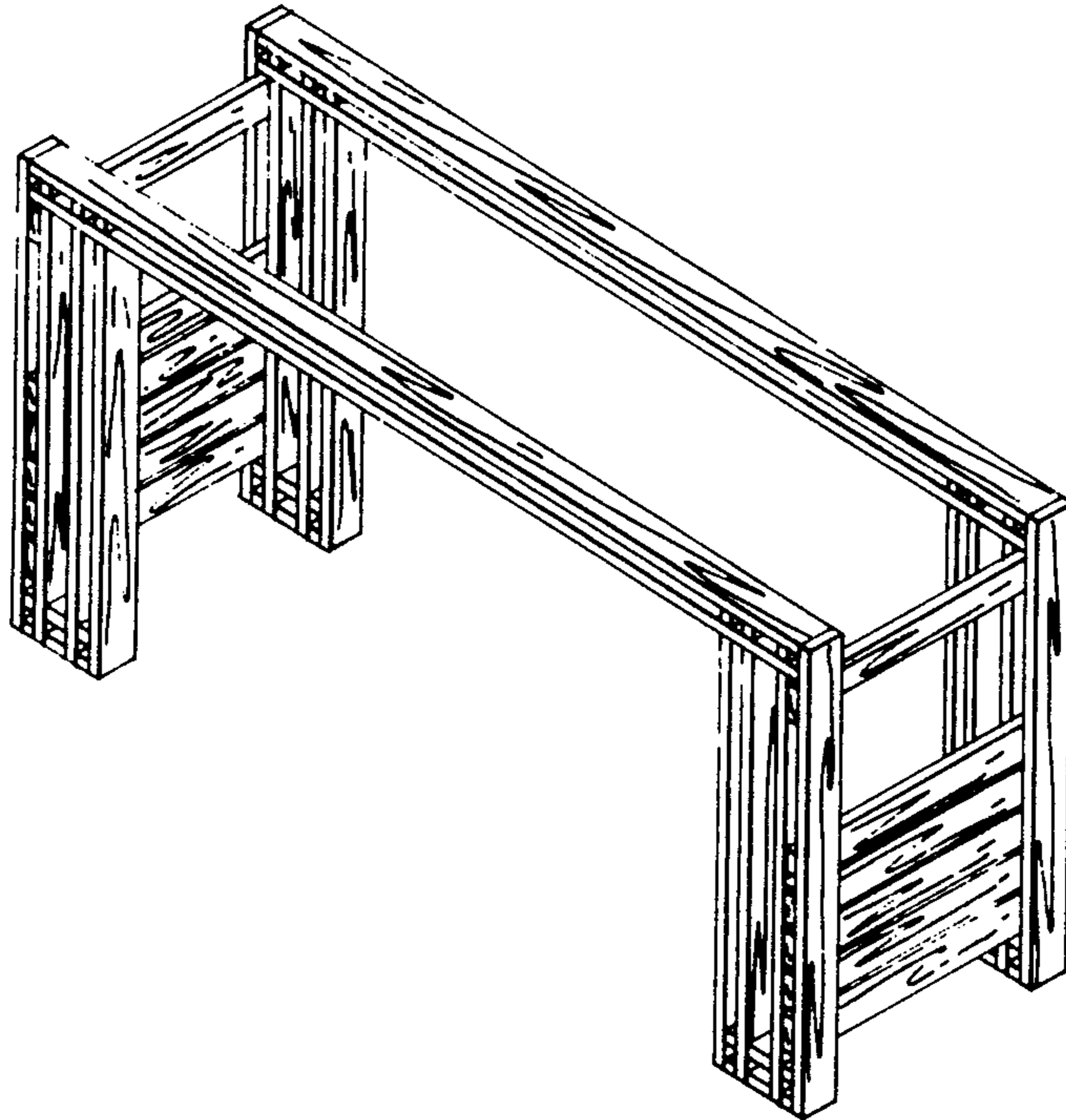
[57] **CLAIM**

The ornamental design for a support for use with electronic computer units, as shown and described.

**DESCRIPTION**

FIG. 1 is a perspective view of a support for use with electronic computer units showing my design; and FIG. 2 is a modified form thereof.

The sides and ends of the supports not shown are like the respective sides and ends shown.



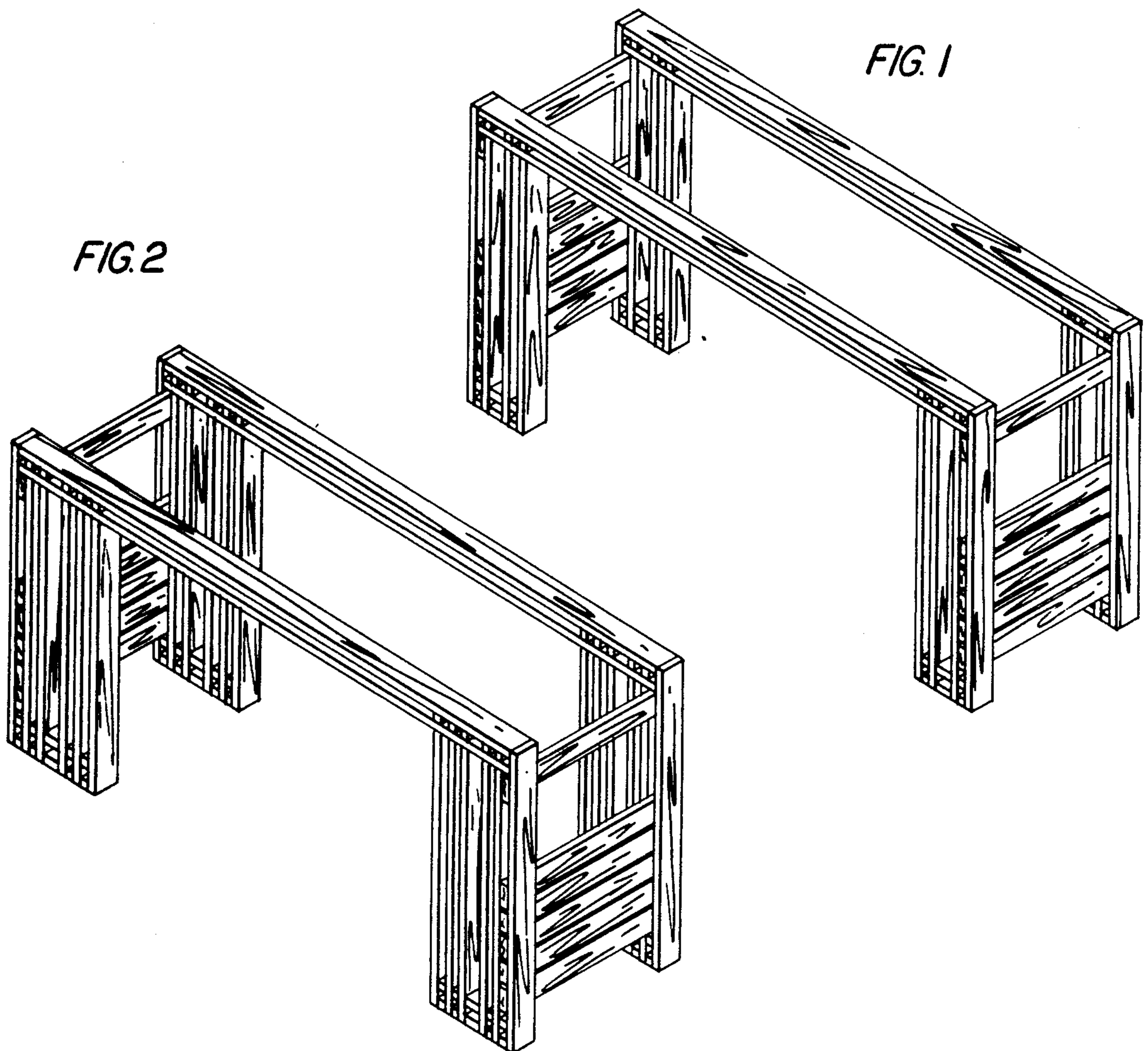


FIG. 1

FIG. 2