

[54] SEAT

[75] Inventor: Harold Glaser, St. Louis County, Mo.

[73] Assignee: James David Incorporated, Maryland Heights, Mo.

[*] Notice: The portion of the term of this patent subsequent to Mar. 28, 1992, has been disclaimed.

[**] Term: 14 Years

[21] Appl. No.: 782,943

[22] Filed: Mar. 30, 1977

[51] Int. Cl. D6-01

[52] U.S. Cl. D6/73; D6/63; D6/71

[58] Field of Search D6/67-78

[56] References Cited

U.S. PATENT DOCUMENTS

- D. 225,147 11/1972 Fisher D6/71
- D. 229,135 11/1973 Ruoslahti D6/69 X
- D. 234,171 1/1975 Long D6/71

- D. 236,047 7/1975 Hoshall et al. D6/60
- D. 239,236 3/1976 Costabile D6/61
- D. 244,109 4/1977 Zola D6/73

OTHER PUBLICATIONS

"Office Products," 5-1976, p. 10, Sofa by Mill Craft. Modern Plastics, 6-1970, p. 73, Lower Chair by Landes in Panel 2.

Primary Examiner—Bruce W. Dunkins
Attorney, Agent, or Firm—Ralph W. Kalish

[57] CLAIM

The ornamental design for a seat, as shown.

DESCRIPTION

FIG. 1 is a perspective view of a seat, in the form of a chair, showing my new design.
 FIG. 2 is a side elevational view thereof.
 FIG. 3 is a top plan view thereof.
 FIG. 4 is a front elevational view thereof.
 FIG. 5 is a bottom plan view thereof.
 FIG. 6 is a rear elevational view thereof.
 FIG. 7 is a perspective view of a seat, in the form of a love seat, showing my new design.
 FIG. 8 is a perspective view of a seat, in the form of a sofa, showing my new design.

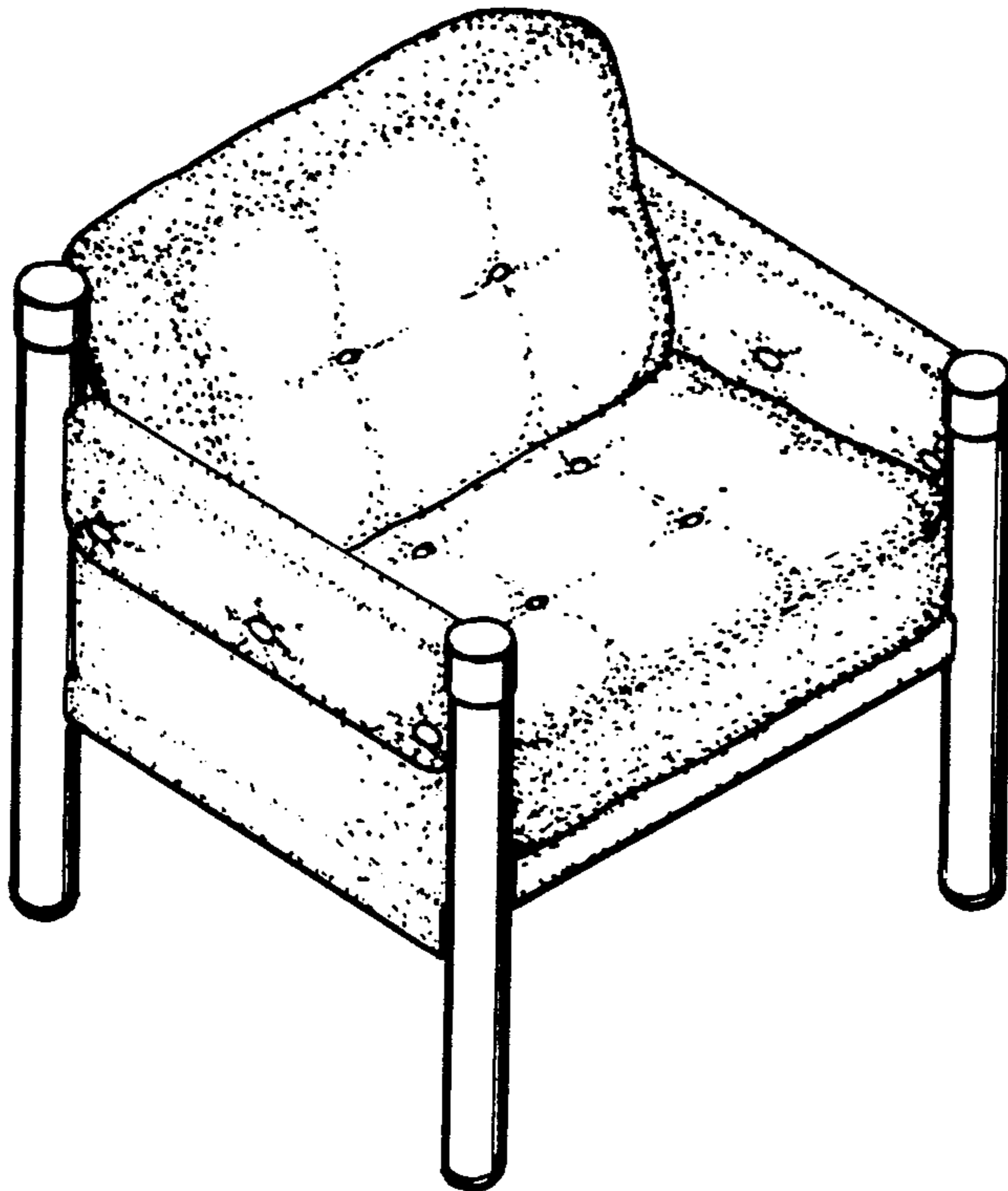


FIG. 1

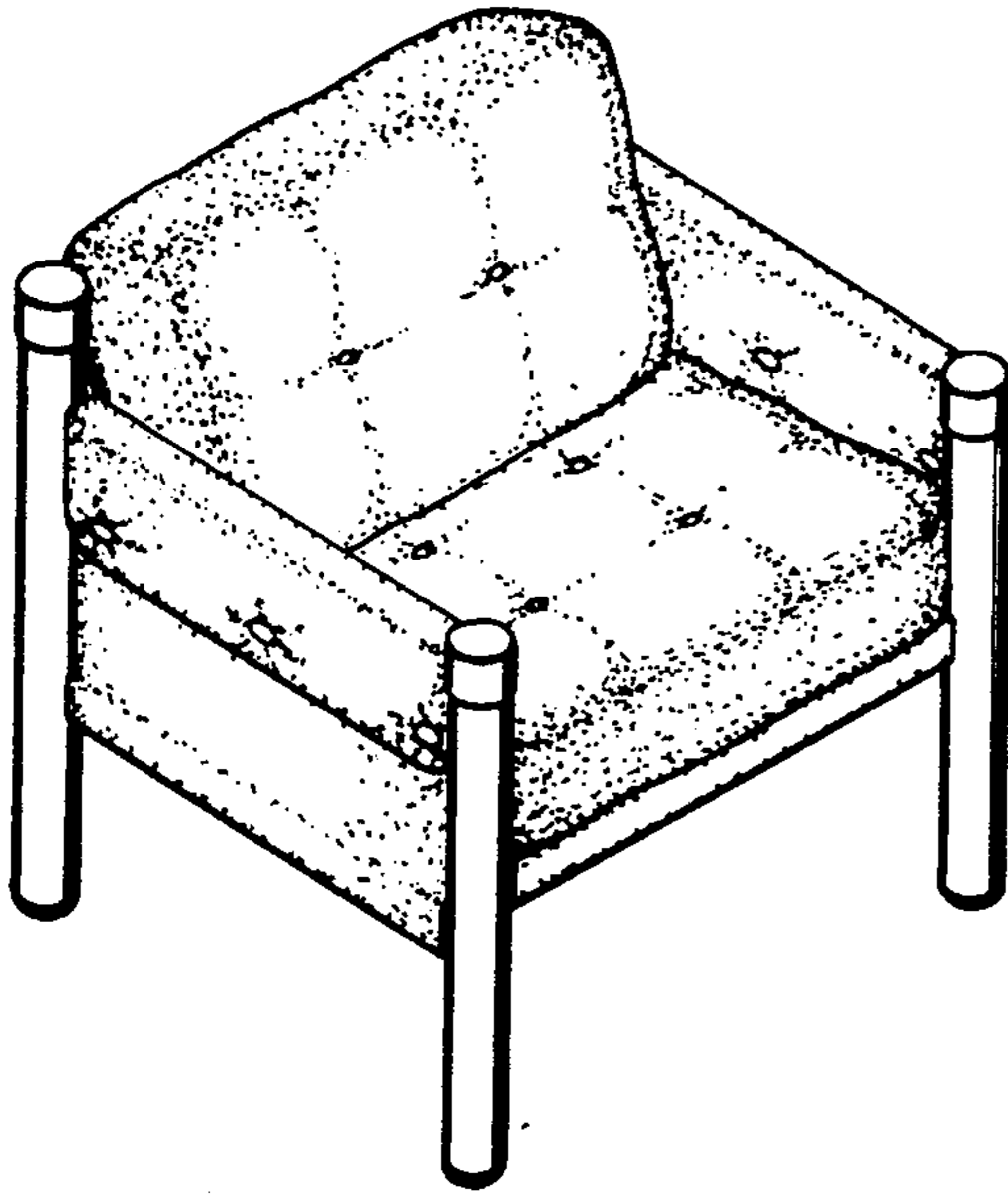


FIG. 2

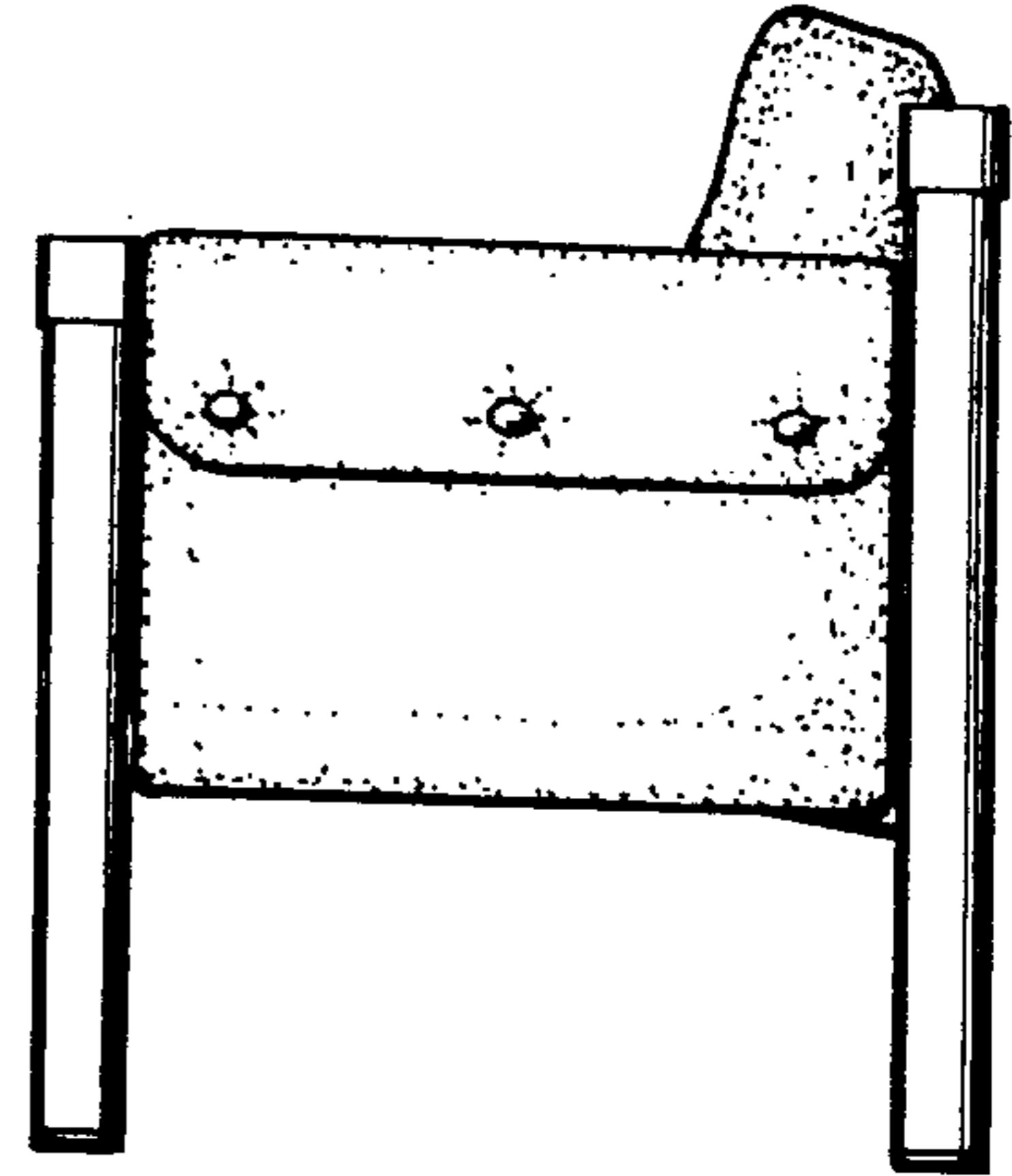


FIG. 4

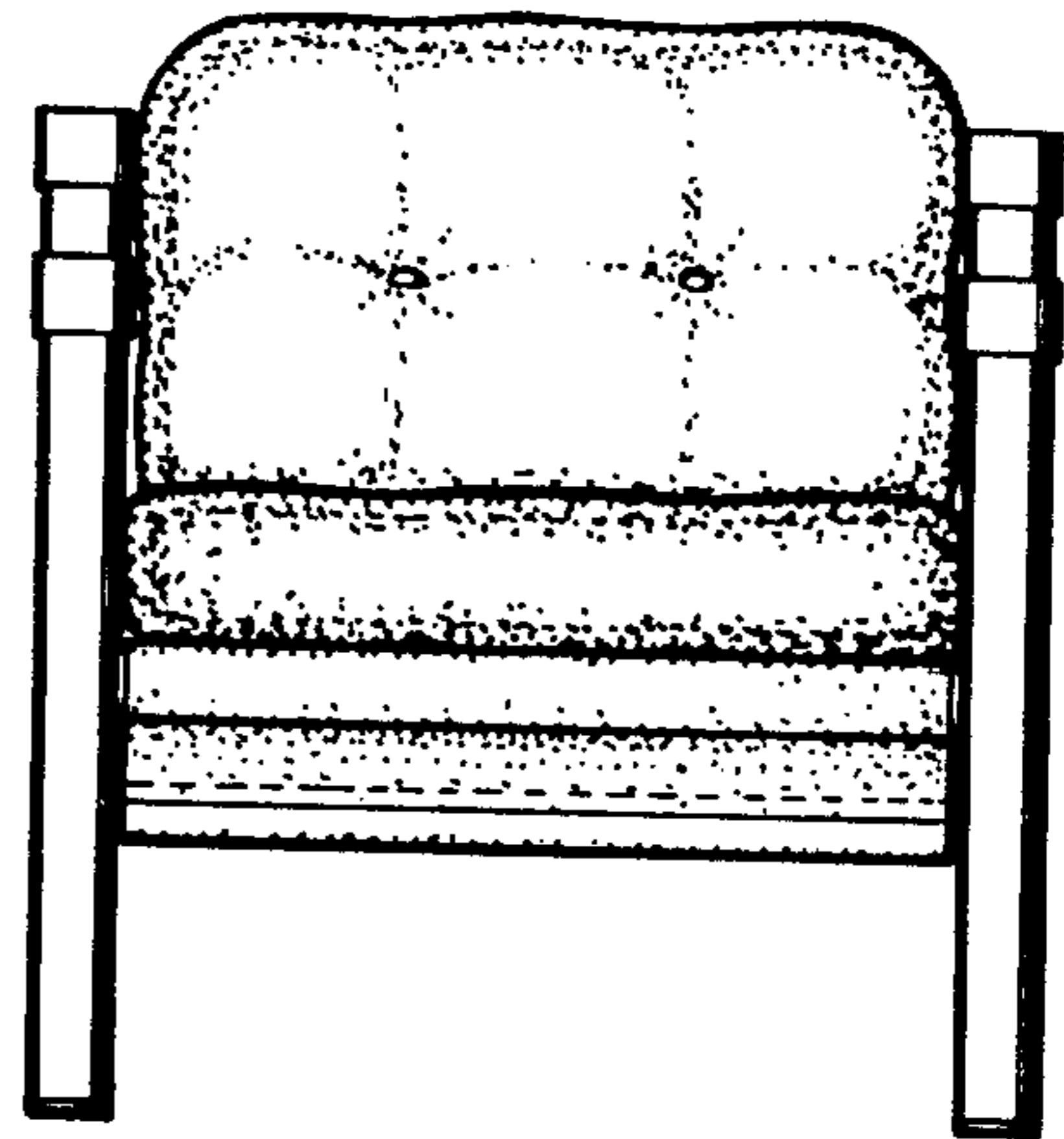


FIG. 3

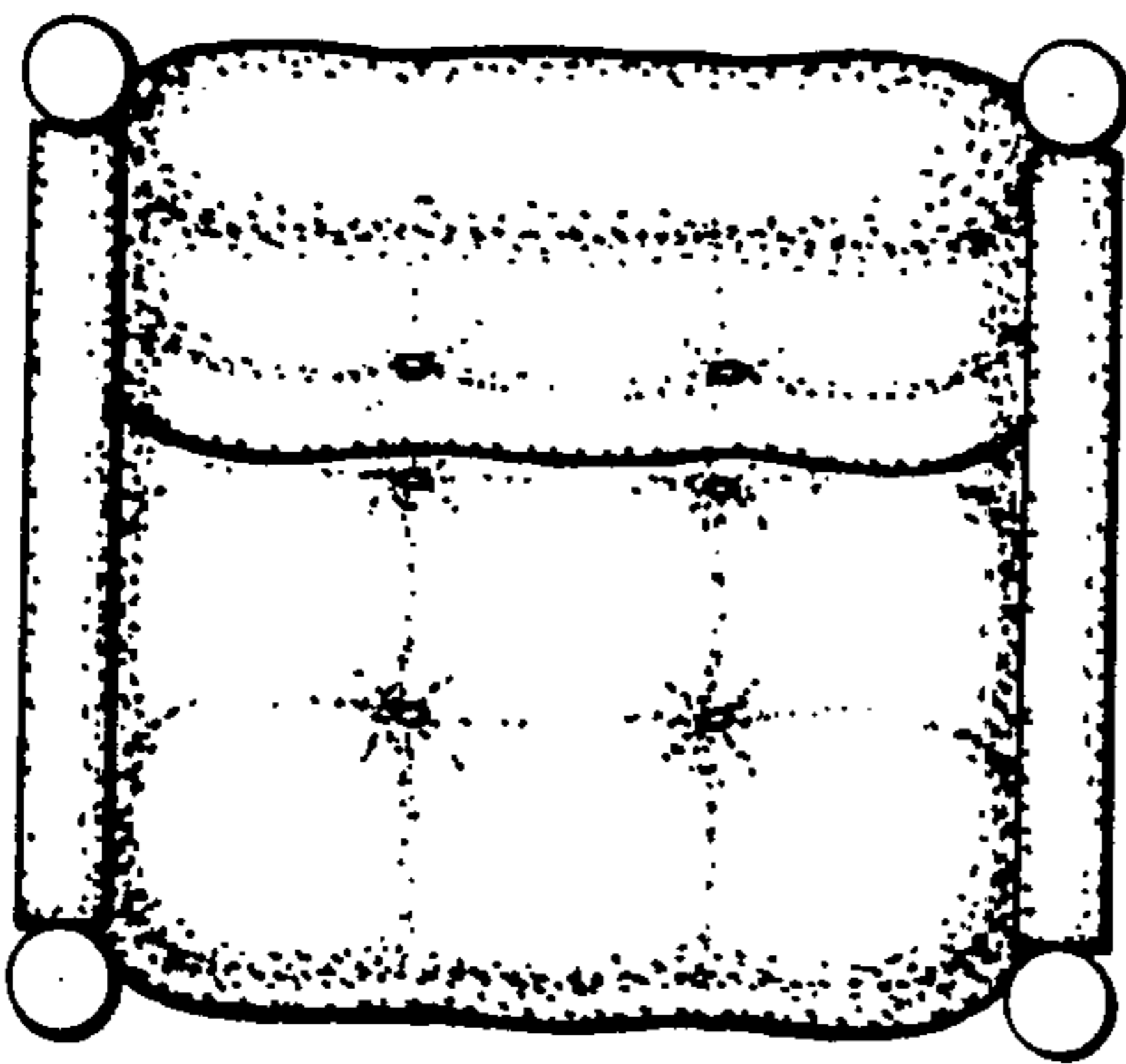


FIG. 6

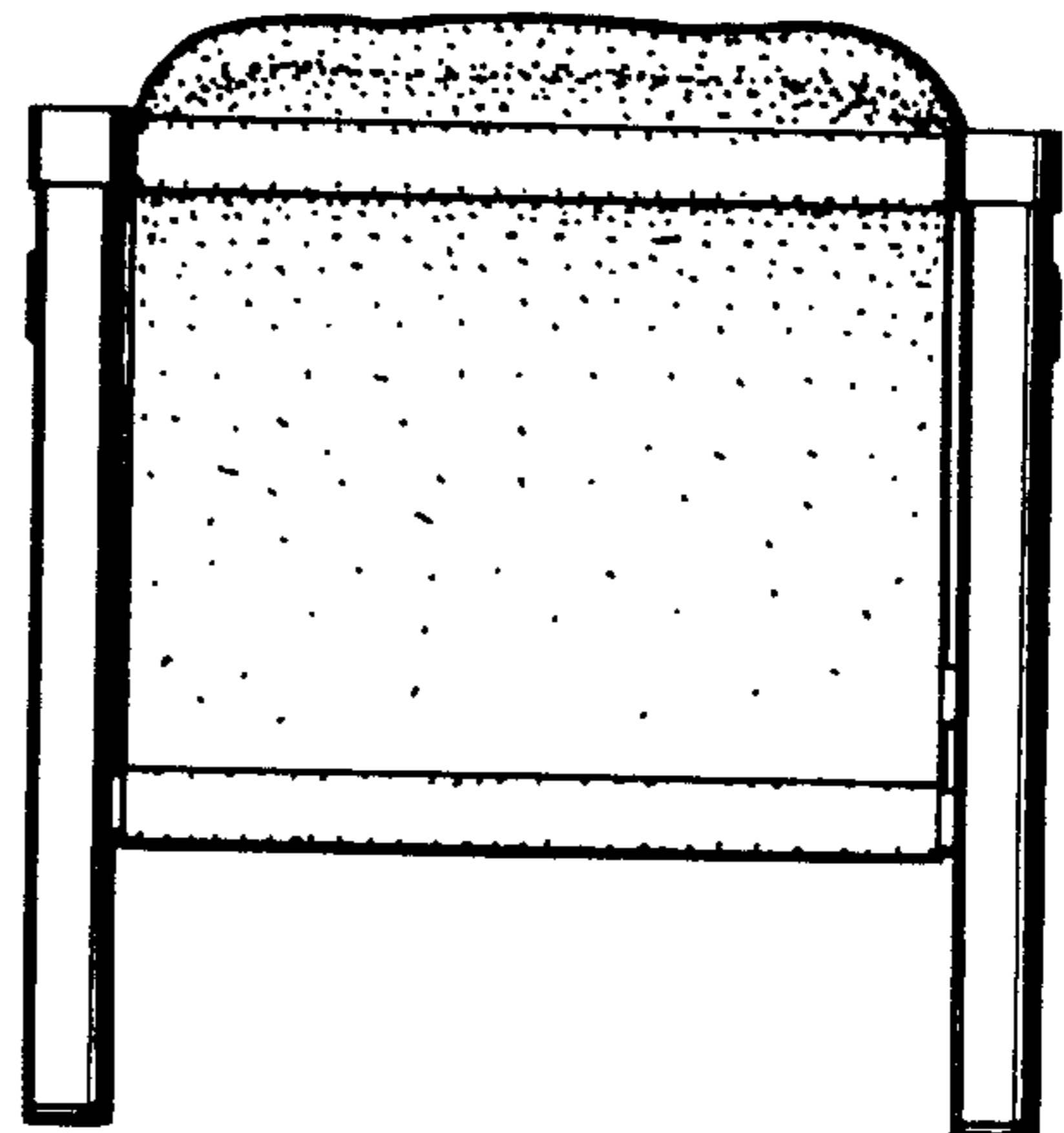
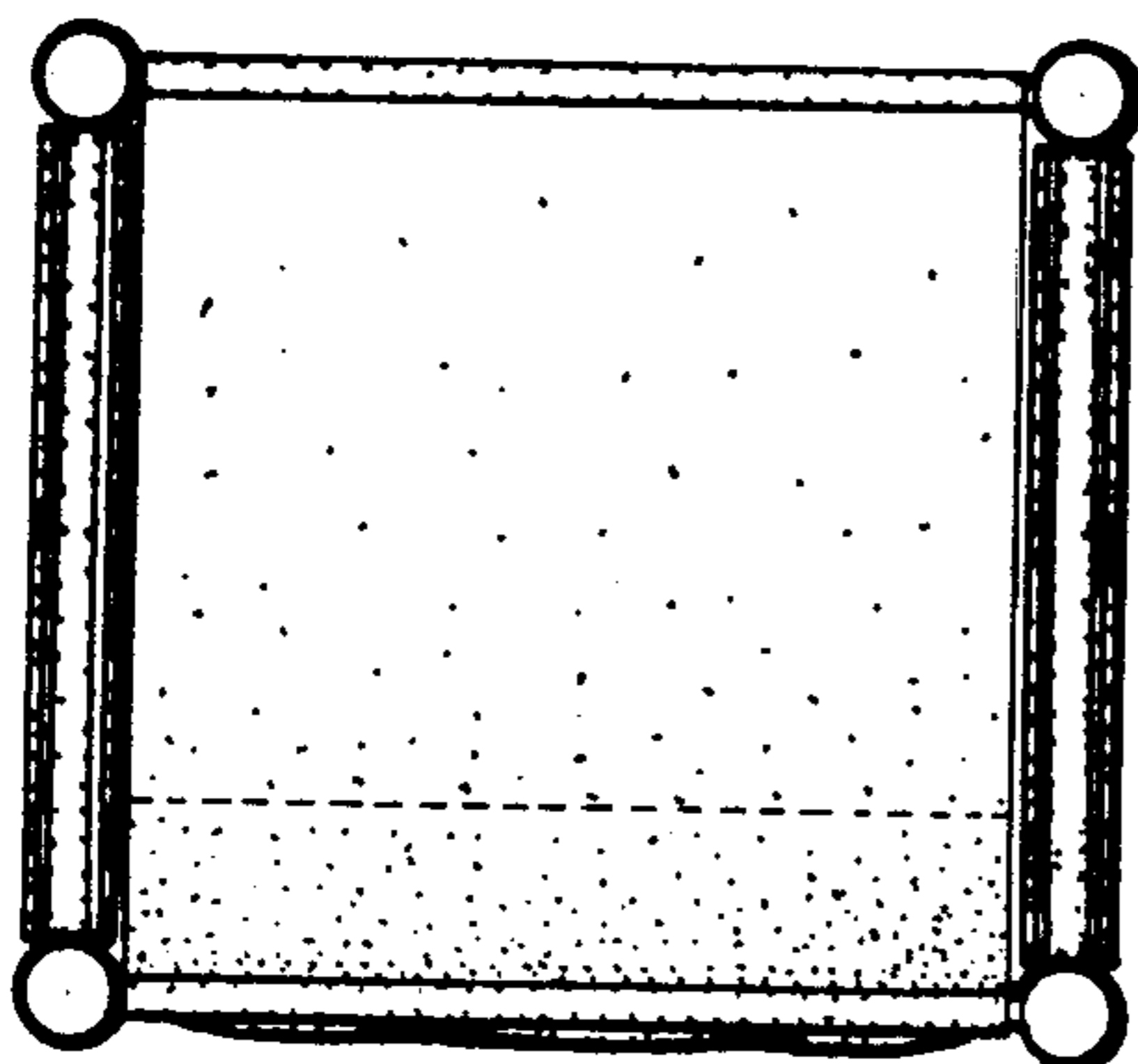


FIG. 5



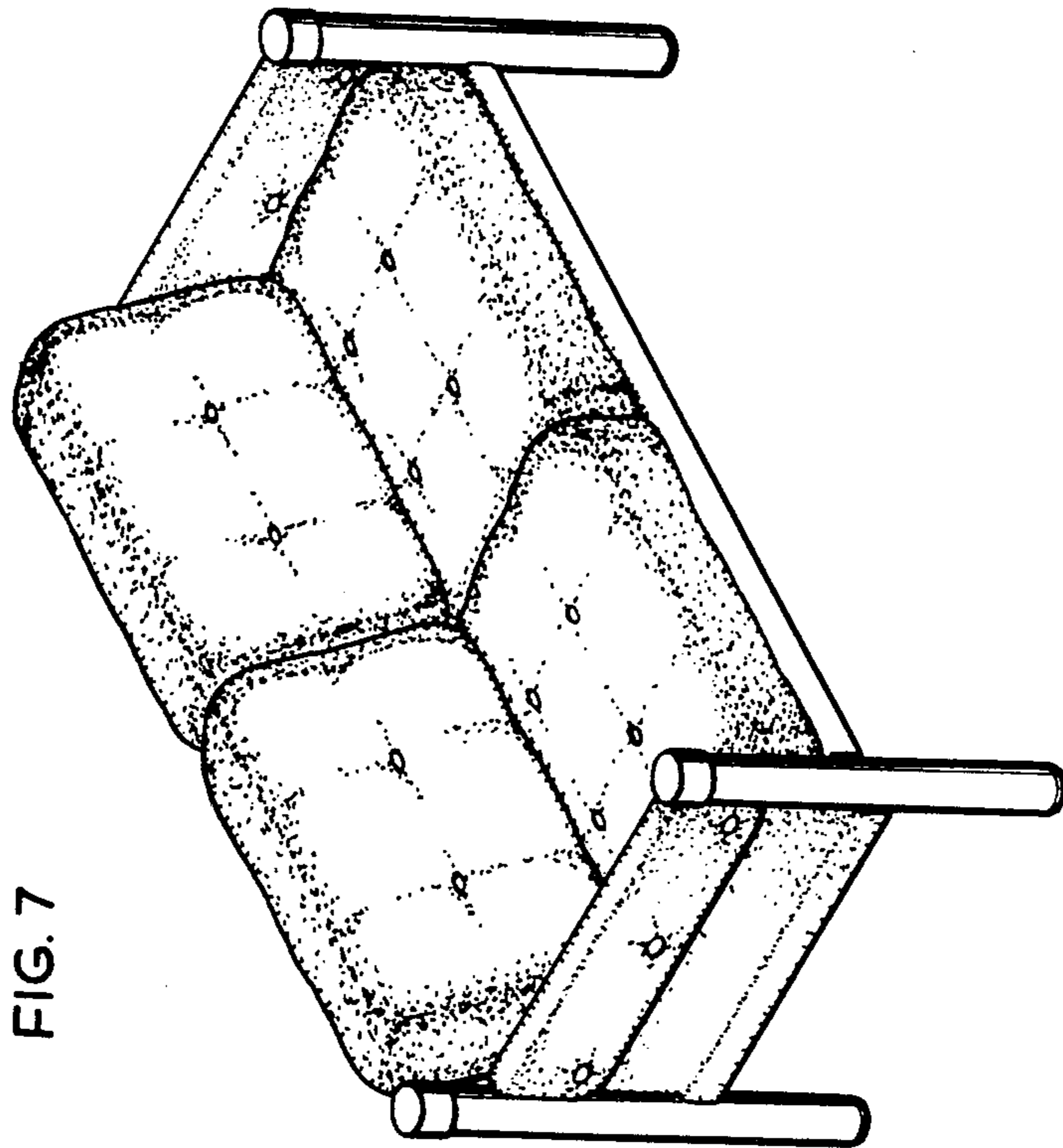


FIG. 7

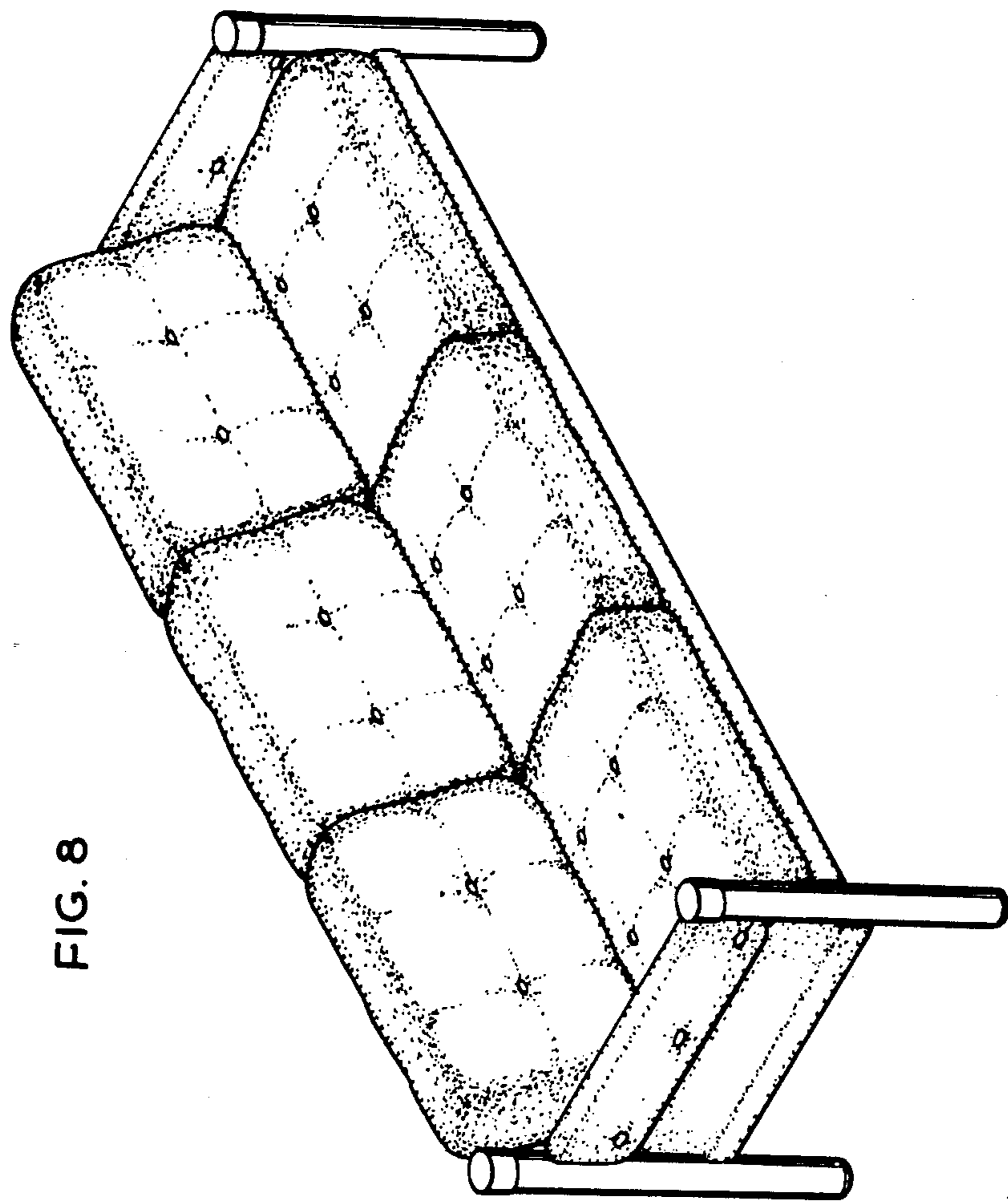


FIG. 8