

[54] INVALID CHAIR

[76] Inventor: **Richard J. Powers**, 3622 Milford Mill Rd., Baltimore, Md. 21207

[\*\*] Term: **14 Years**

[21] Appl. No.: **769,408**

[22] Filed: **Feb. 16, 1977**

[51] Int. Cl. .... **D6-01**

[52] U.S. Cl. .... **D6/22; D6/39; D12/128; D12/131**

[58] Field of Search ..... **D6/2 D, 8, 22, 26, 29, D6/30, 31, 37, 47, 67, 38, 39, 49, 50; D24/56, 57; D12/128, 131; 297/310, 311, 313, 323, 330, 354**

[56] **References Cited**

**U.S. PATENT DOCUMENTS**

D. 181,048	9/1957	Golden .....	D6/22
D. 182,178	2/1958	Golden .....	D12/131
D. 183,181	7/1958	Piotraschke .....	D6/22
D. 191,775	11/1961	Hall et al. ....	D6/22 X
D. 232,138	7/1974	Truman .....	D6/22
D. 240,414	7/1976	Thomas .....	D12/131
2,814,505	11/1957	Kelly .....	D12/131 X

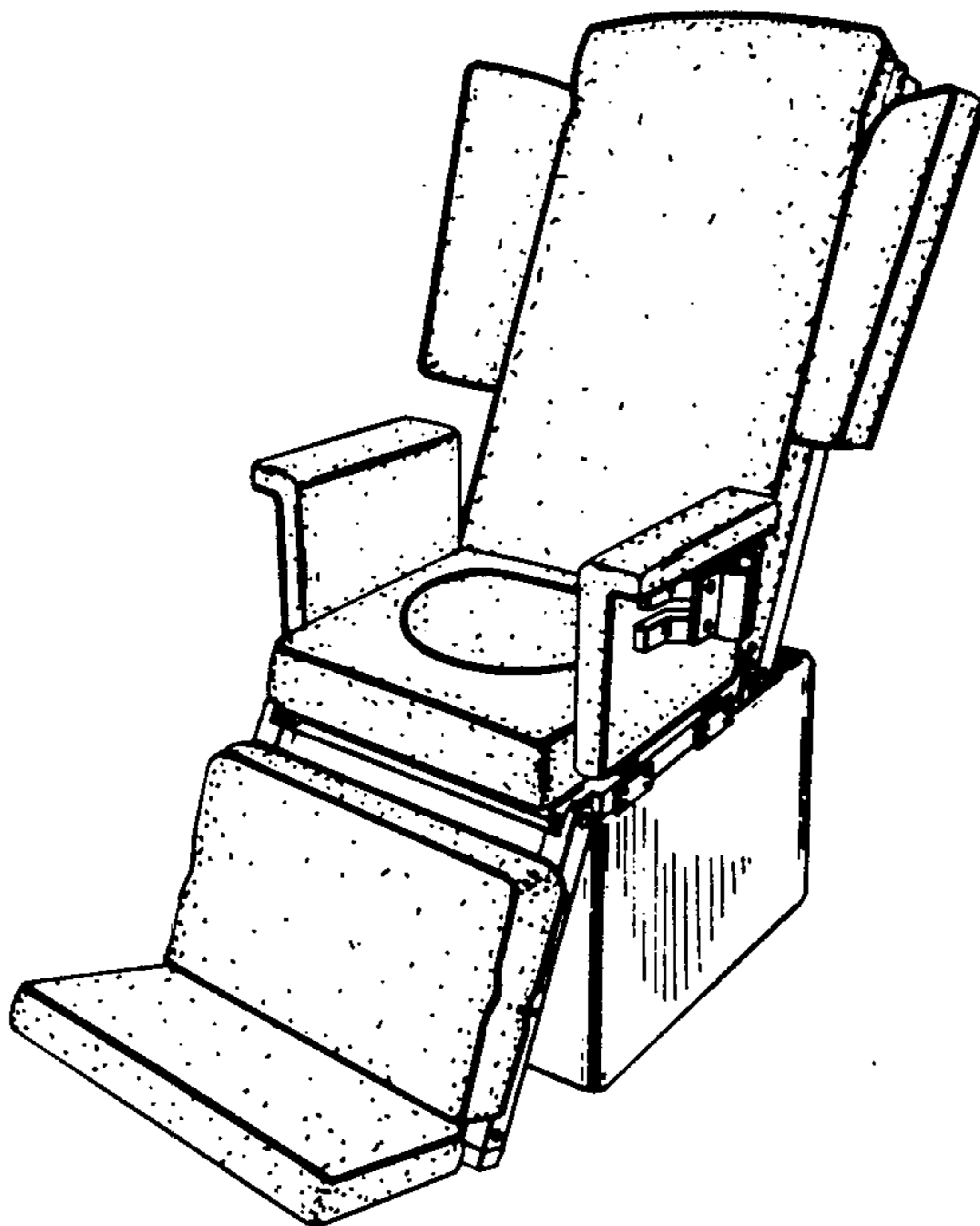
*Primary Examiner*—Bruce W. Dunkins  
*Attorney, Agent, or Firm*—Franklin D. Wolffe

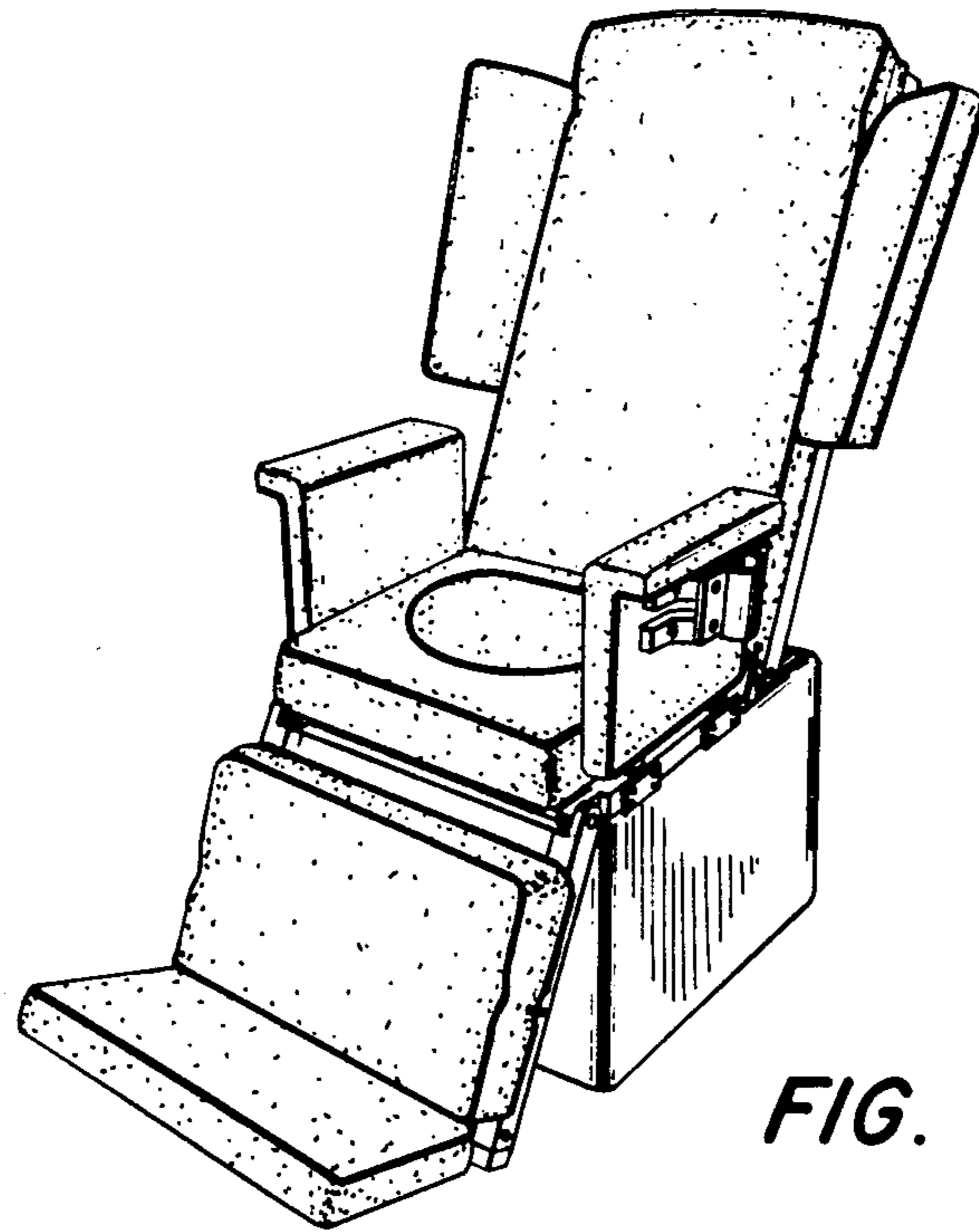
[57] **CLAIM**

The ornamental design for an invalid chair, substantially as shown and described.

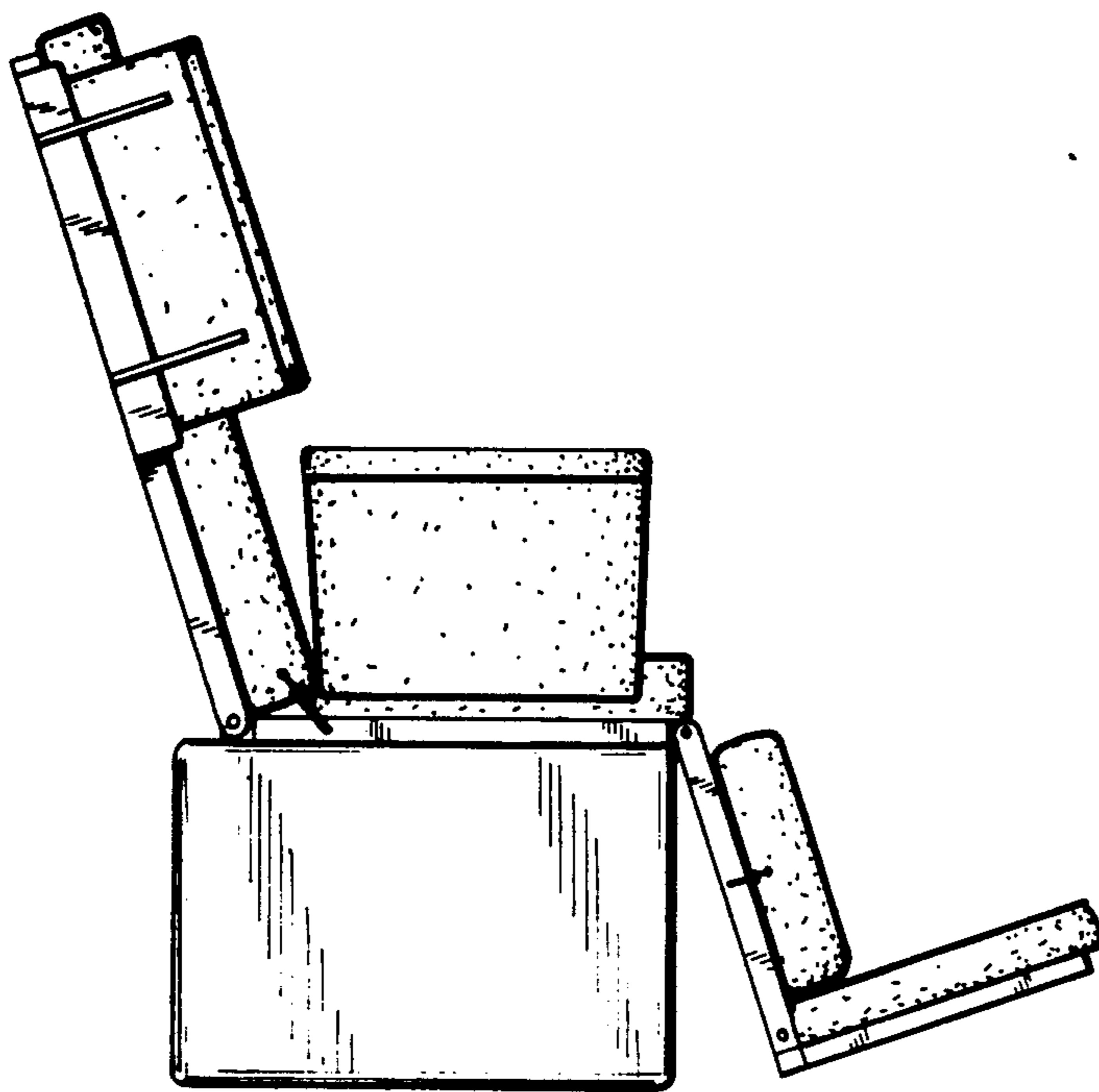
**DESCRIPTION**

FIG. 1 is a front perspective view of an invalid chair showing my new design;  
FIG. 2 is a side view thereof;  
FIG. 3 is a back view thereof;  
The bottom is substantially plain.

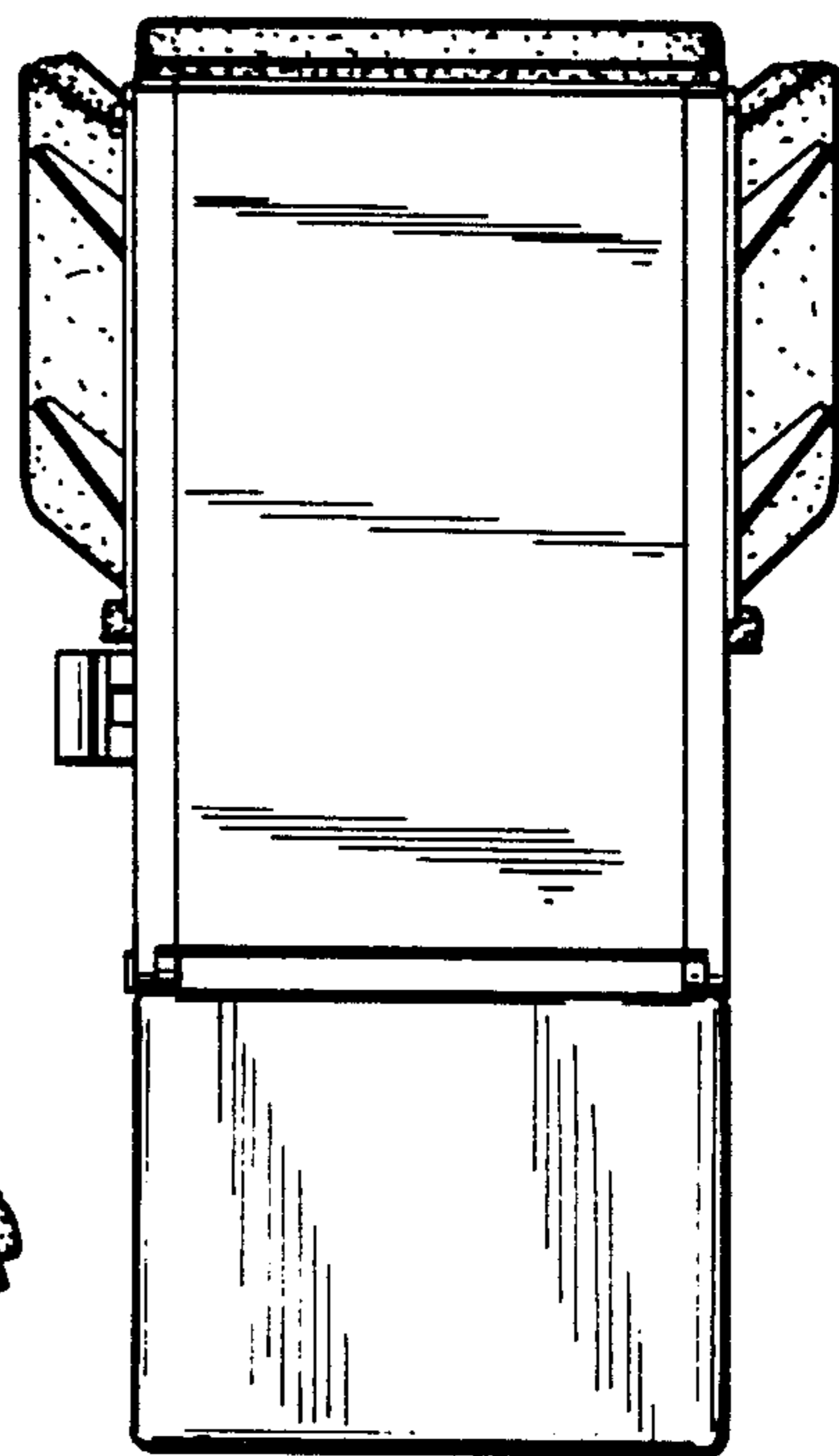




*FIG. 1*



*FIG. 2*



*FIG. 3*