

[54] COMBINED DRAWING BOARD AND INSTRUMENT CARRYING CASE

[76] Inventor: James D. Ramsey, 616 N. Flores, Los Angeles, Calif. 90040

[**] Term: 14 Years

[21] Appl. No.: 592,466

[22] Filed: Jul. 2, 1975

[51] Int. Cl. D3-02

[52] U.S. Cl. D87/1 R

[58] Field of Search D87/1 R, 5 B, 5 F; D8/154; 206/224; 150/1.6; 190/51, 41 R

[56] References Cited

U.S. PATENT DOCUMENTS

D. 202,250	9/1965	Hauser	D87/1 R
D. 237,021	9/1975	Chilewich	D87/1 R
1,369,439	2/1921	Johnson	206/224
3,620,362	11/1971	Valdes	206/224

Primary Examiner—Joel Stearman
Assistant Examiner—George P. Word
Attorney, Agent, or Firm—Gerald L. Price

[57] CLAIM

The ornamental design for a combined drawing board and instrument carrying case, as shown and described.

DESCRIPTION

FIG. 1 is a top perspective view of a combined drawing board and instrument carrying case showing my new design;

FIG. 2 is a bottom rear perspective view thereof;

FIG. 3 is a perspective view thereof with the lid partially opened and exposing the drawing board;

FIG. 4 is an exploded left side elevational view showing the lid and drawing board separated from the instrument storage section;

FIG. 5 is a perspective view with the lid removed and the drawing board slightly raised to expose a portion of the instrument storage section; and

FIG. 6 is a top plan view of the instrument storage section with the lid and drawing board removed.

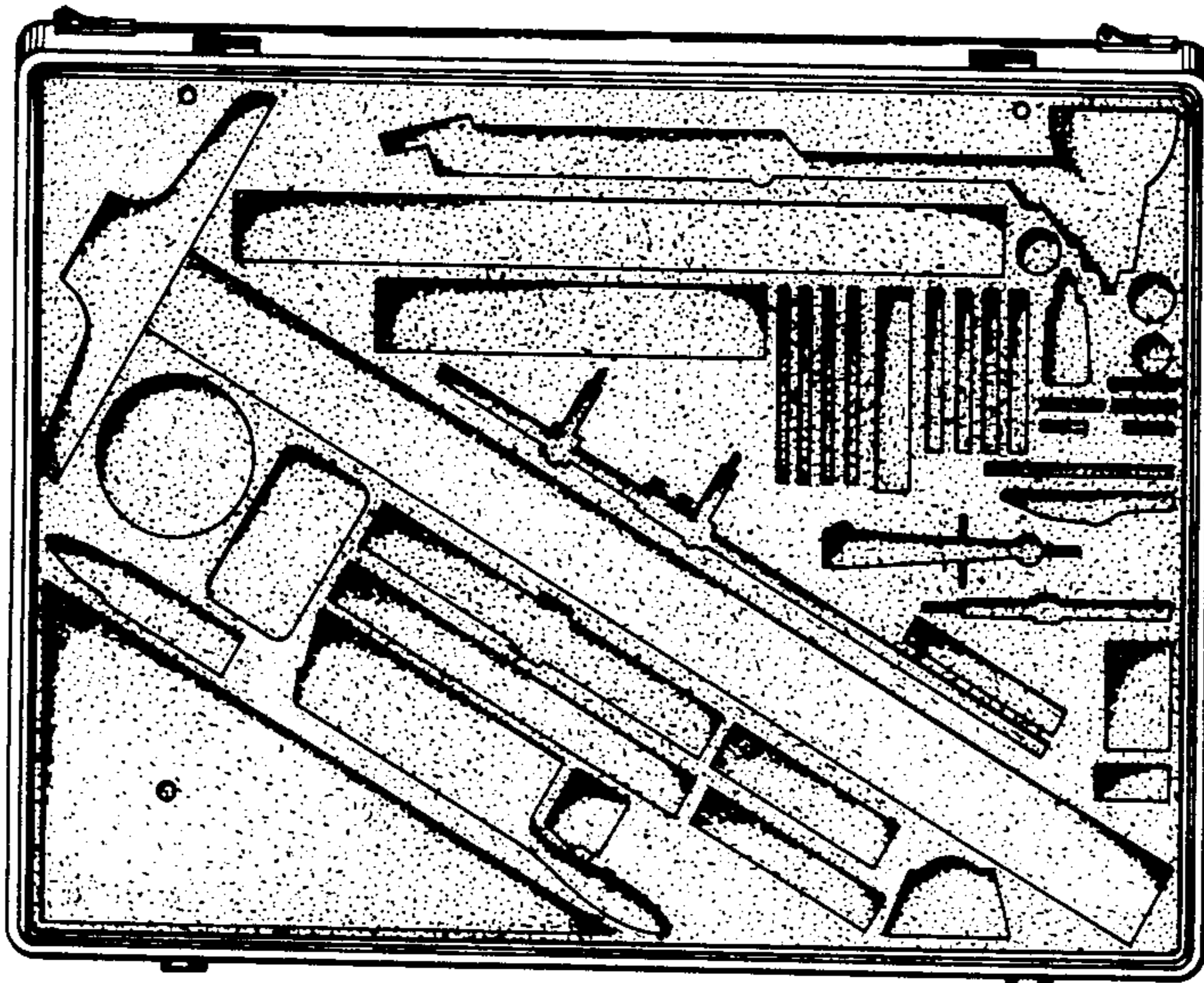
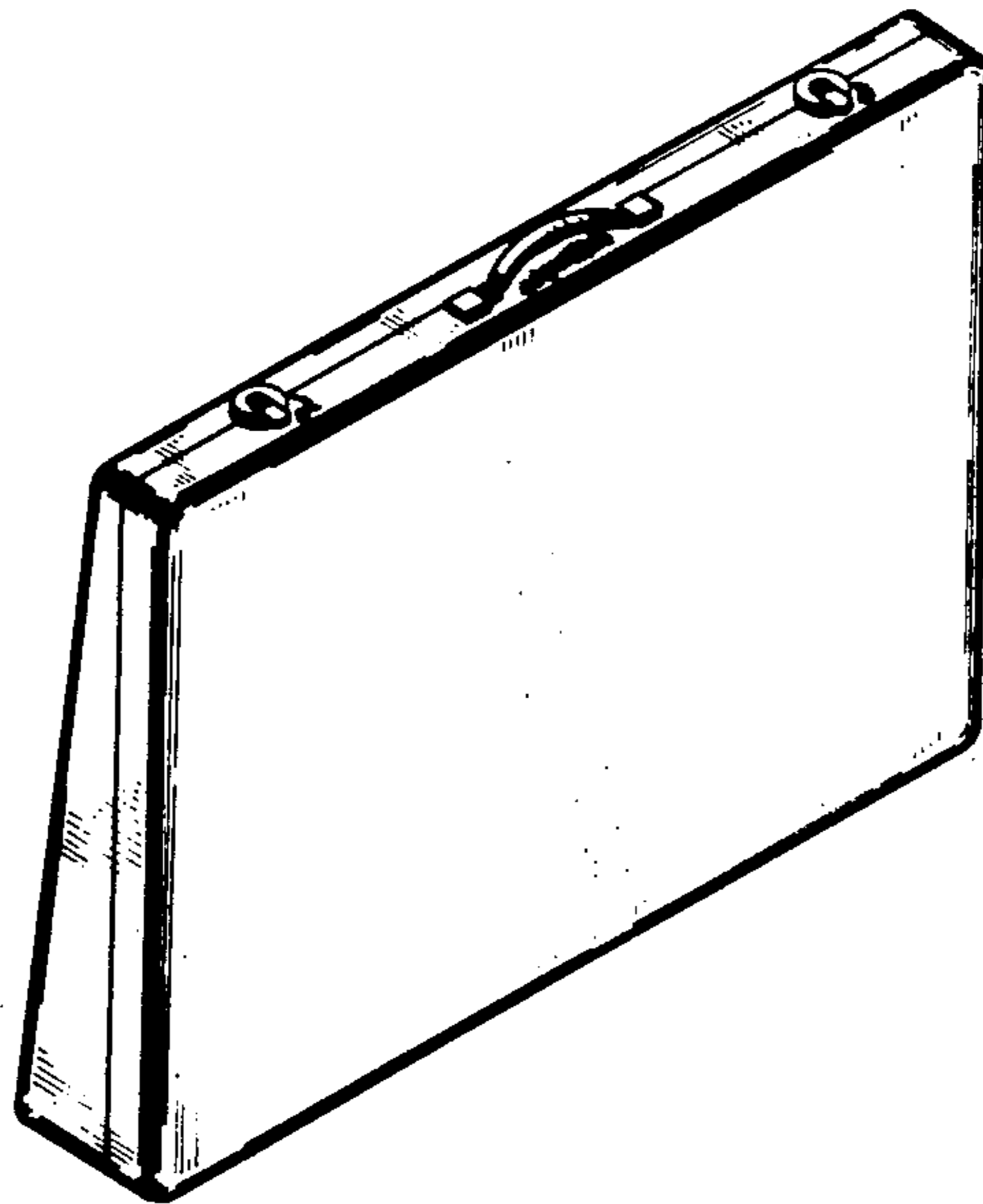


FIG. 1

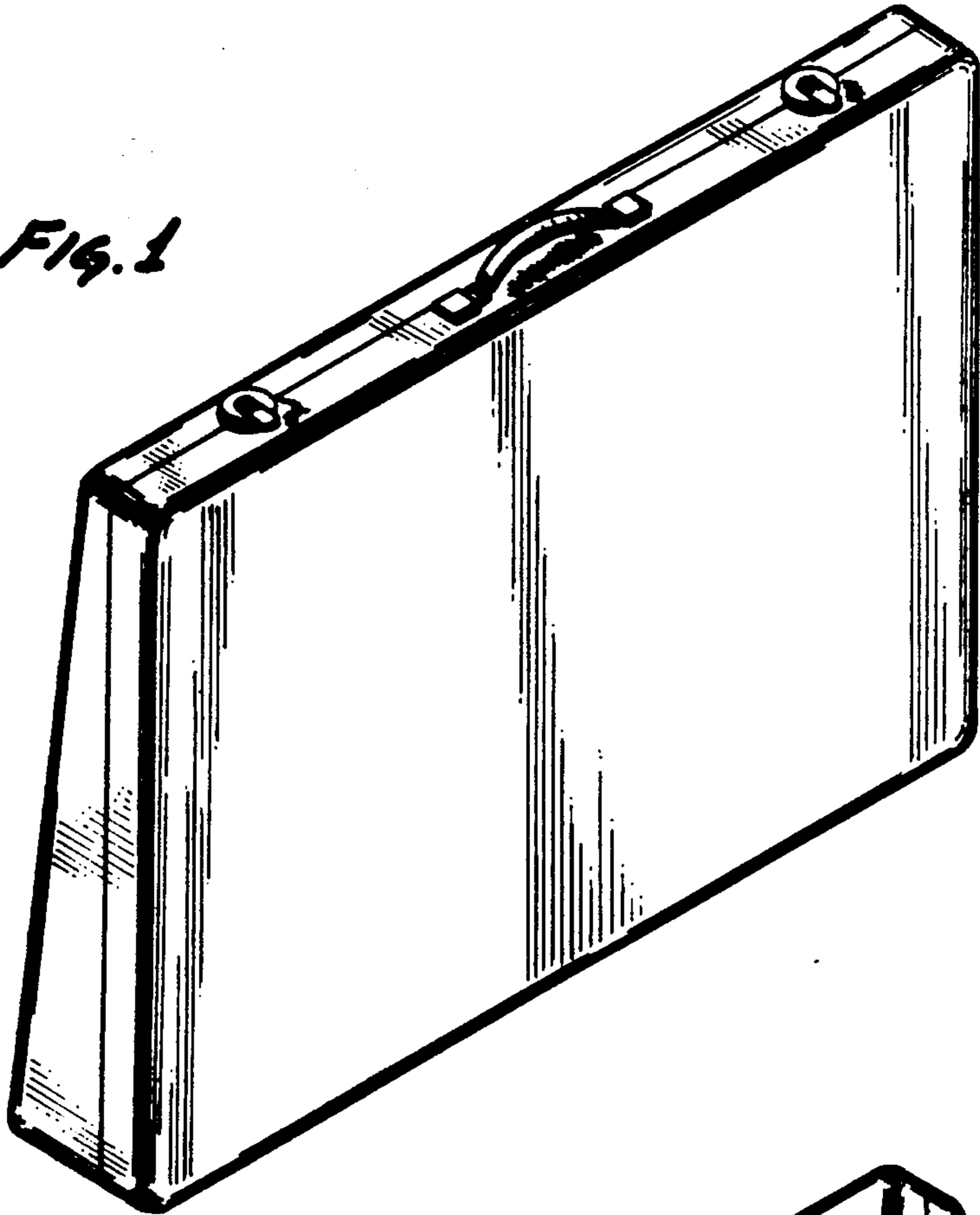


FIG. 2

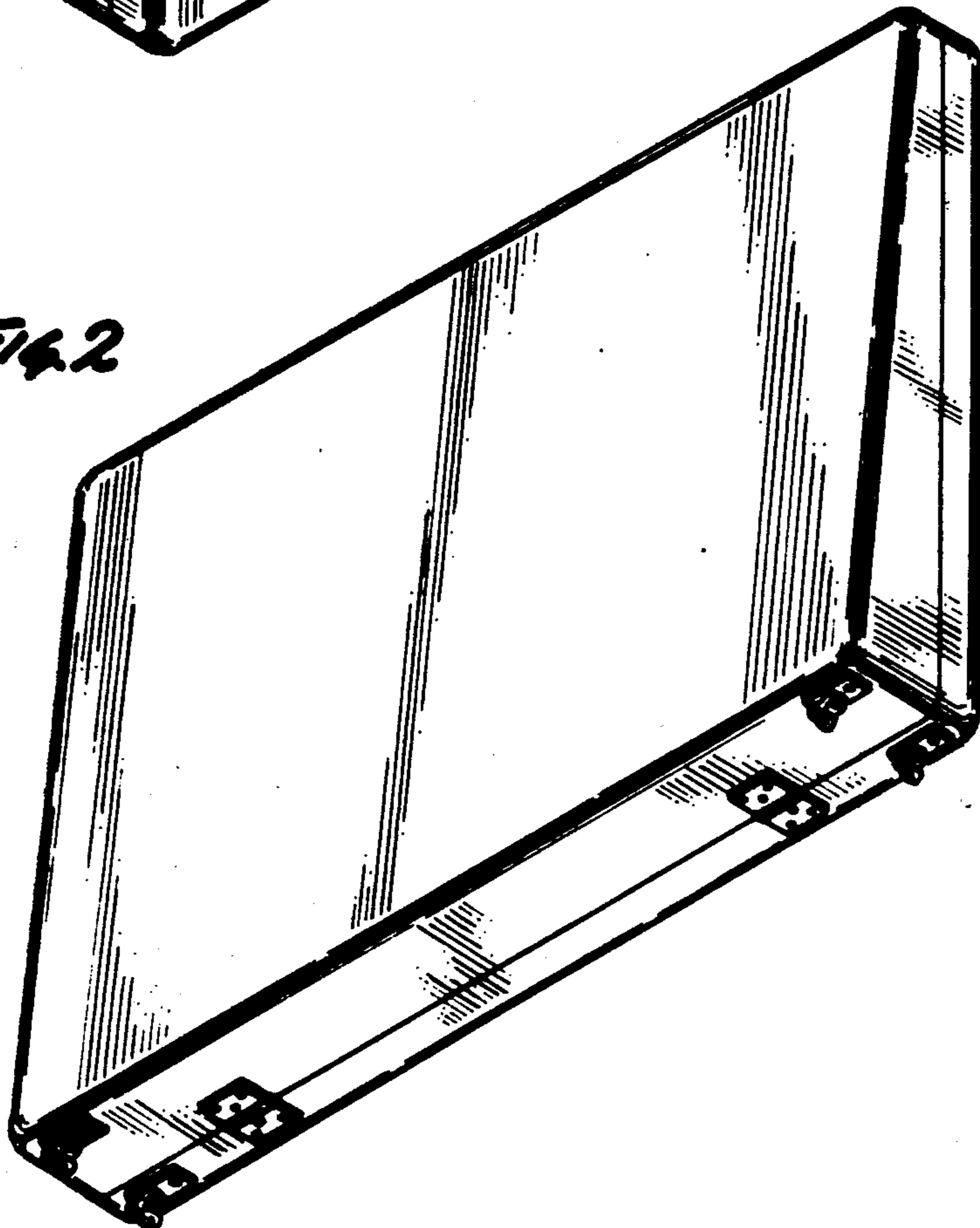


FIG. 3

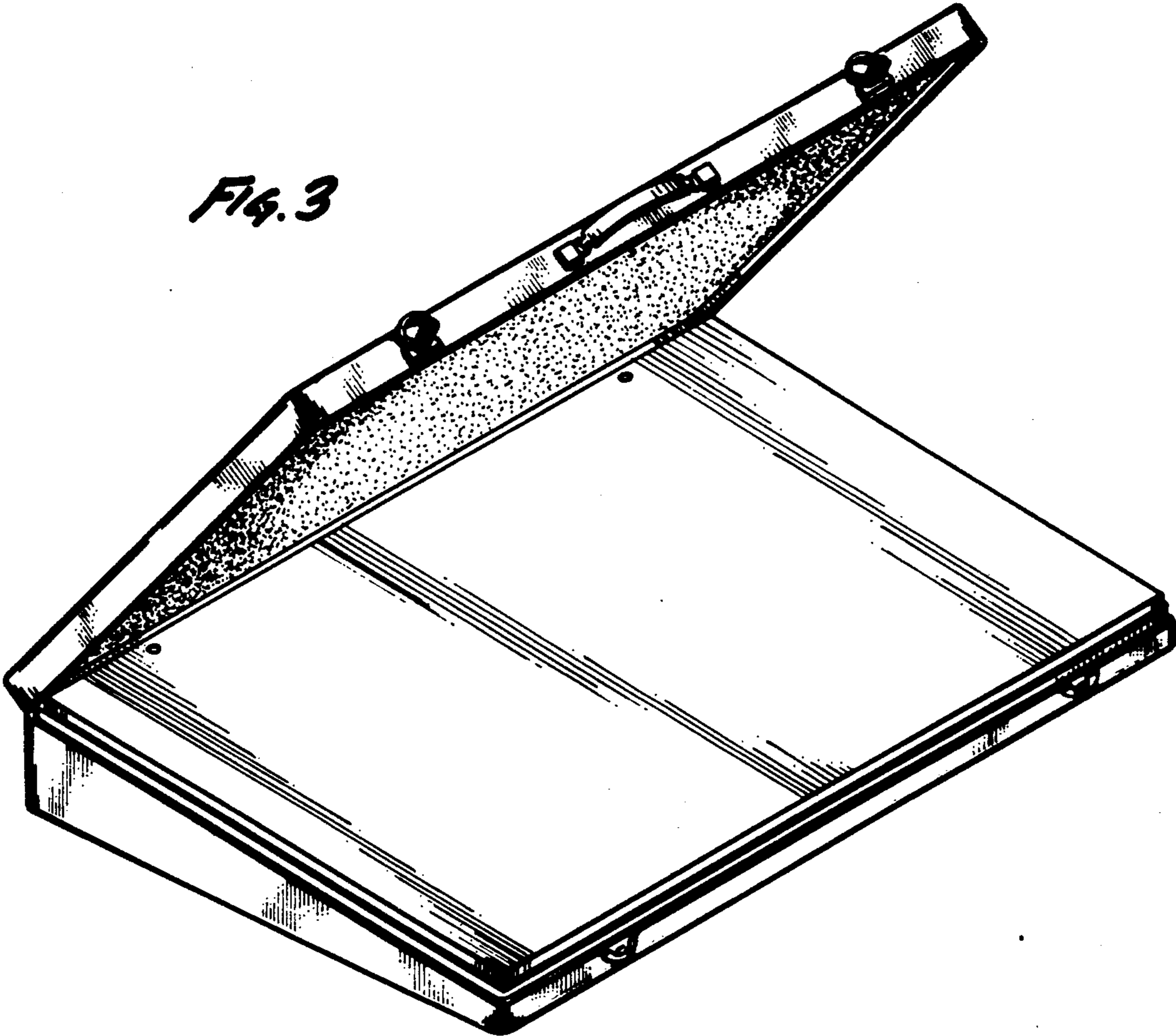


FIG. 4

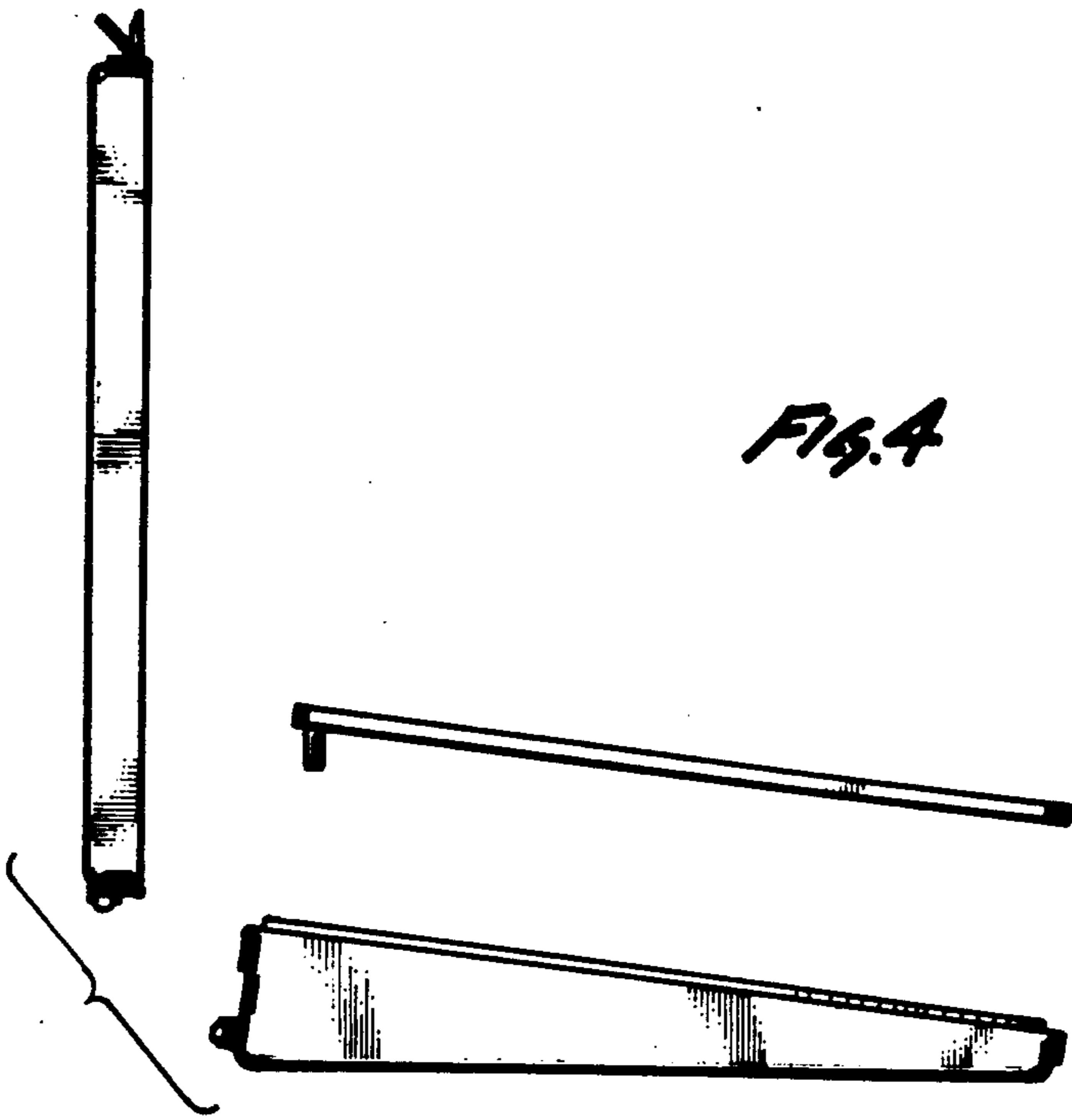


FIG. 5

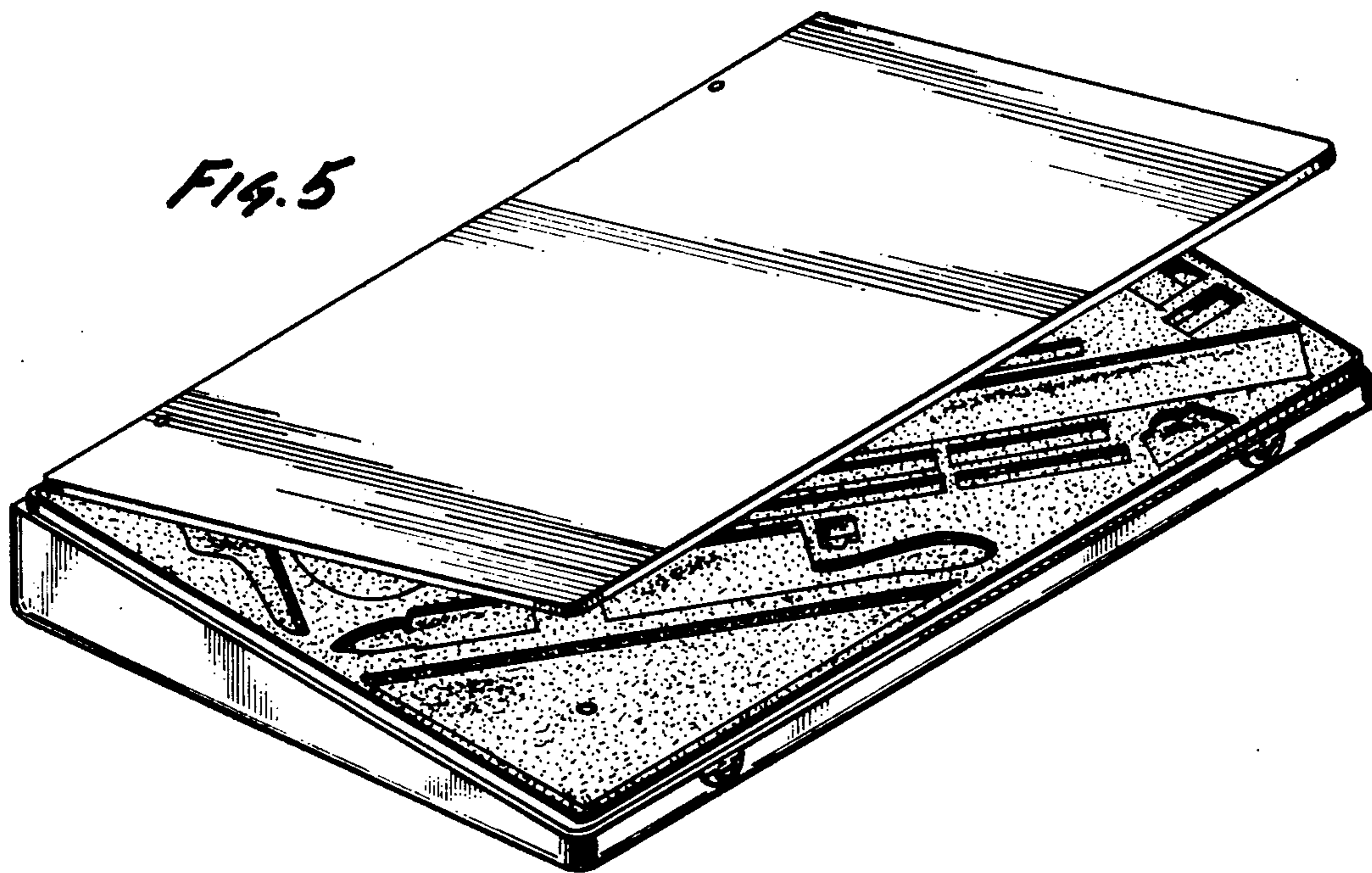


FIG. 6

