

[54] MINE MACHINE LIGHT

[75] Inventors: H. P. McJunkin, Jr., Charleston, W. Va.; Randolph E. Slone, Big Stone Gap, Va.

[73] Assignee: McJunkin Corporation

[**] Term: 14 Years

[21] Appl. No.: 800,436

[22] Filed: May 25, 1977

[51] Int. Cl. D26-05; D26-03

[52] U.S. Cl. D48/24 B; D48/20 K

[58] Field of Search D48/4 B, 23 R, 20 E, D48/20 K, 24 B, 32 R; 240/3 R, 73 R, 73 DA, 78 R, 7.1 R, 7.1 C, 7.1 E, 7.1 F, 8.1 R, 8.2, 8.22, 8.3

[56] References Cited

U.S. PATENT DOCUMENTS

4,023,030 5/1977 Teti 240/8.2

OTHER PUBLICATIONS

Institutions, Dec. 1, 1970, p. 84, Wall lamp. Light and Lighting (England) Jun. 1962, p. 181, Flood-light (No. 5).

Light and Lighting (England) Apr. 1965, p. 117, Lamp (No. 5).

Primary Examiner—Susan J. Lucas
Attorney, Agent, or Firm—John W. Malley

[57] CLAIM

The ornamental design for a mine machine light, as shown and described.

DESCRIPTION

FIG. 1 is a perspective view of the mine machine light of our new design;

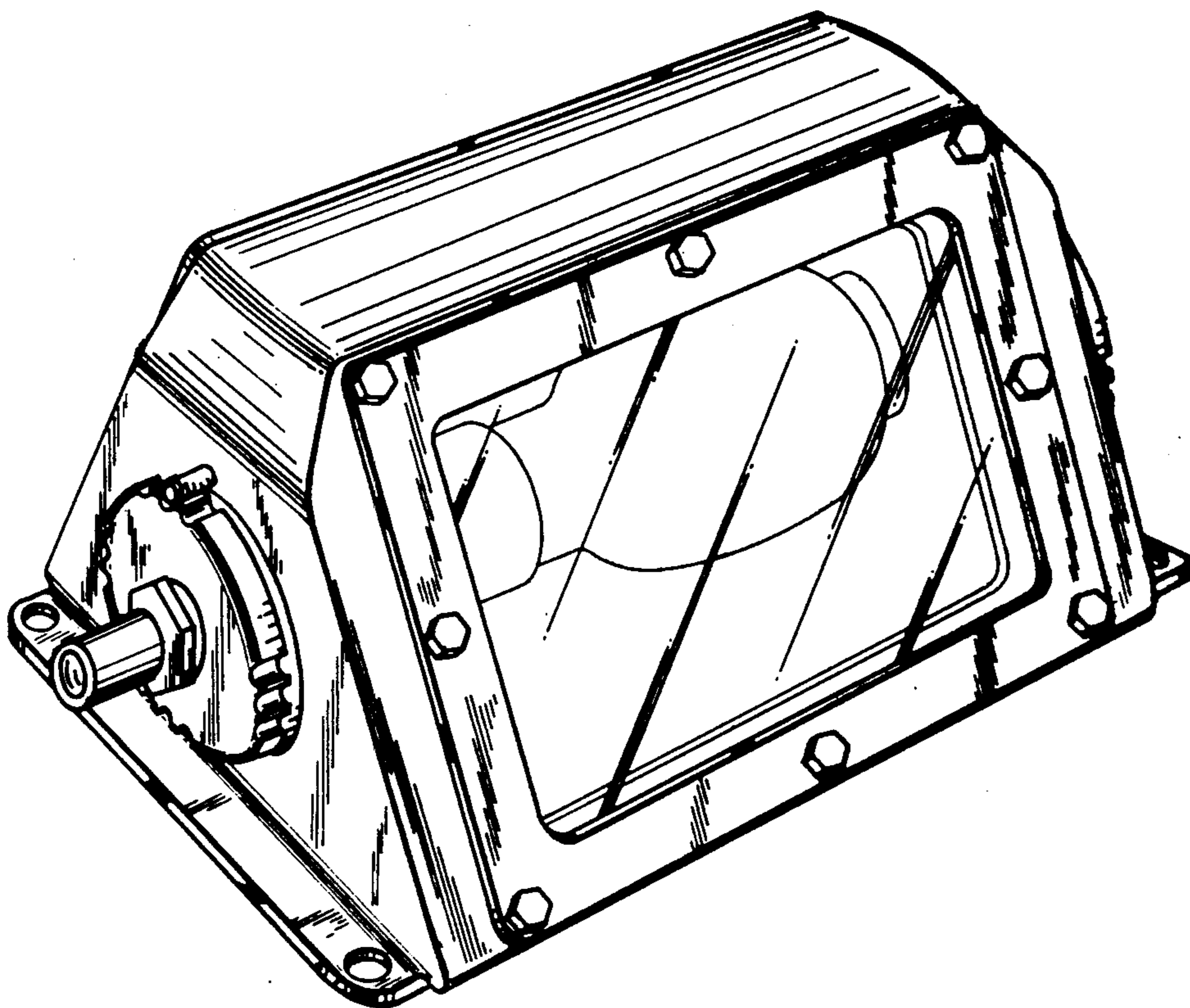
FIG. 2 is a top plan view thereof;

FIG. 3 is a side elevational view thereof, the opposite side being a mirror image thereof;

FIG. 4 is a left end elevational view thereof; and

FIG. 5 is a right end elevational view thereof.

The bottom is plain and unornamented.



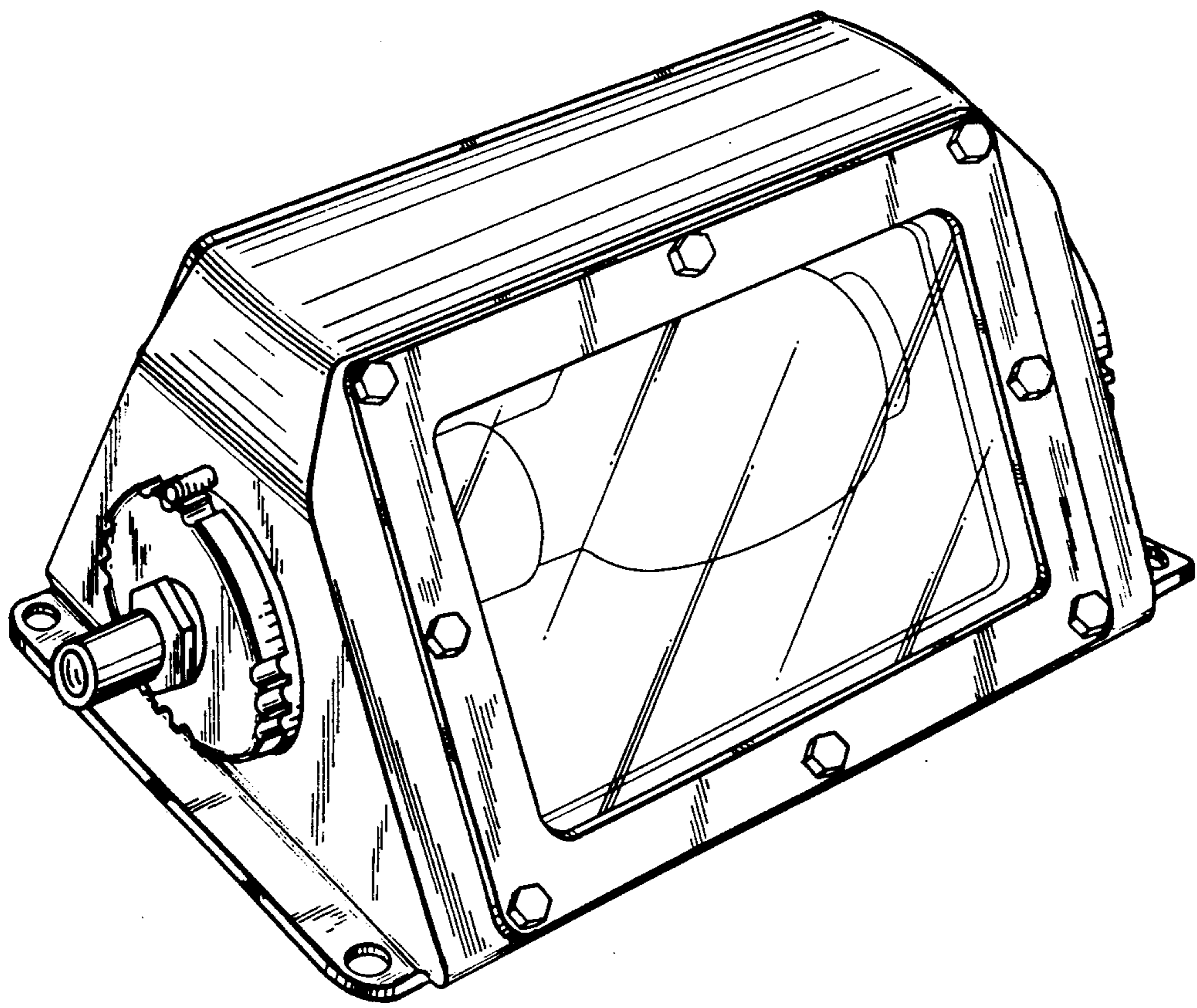


FIG. 1

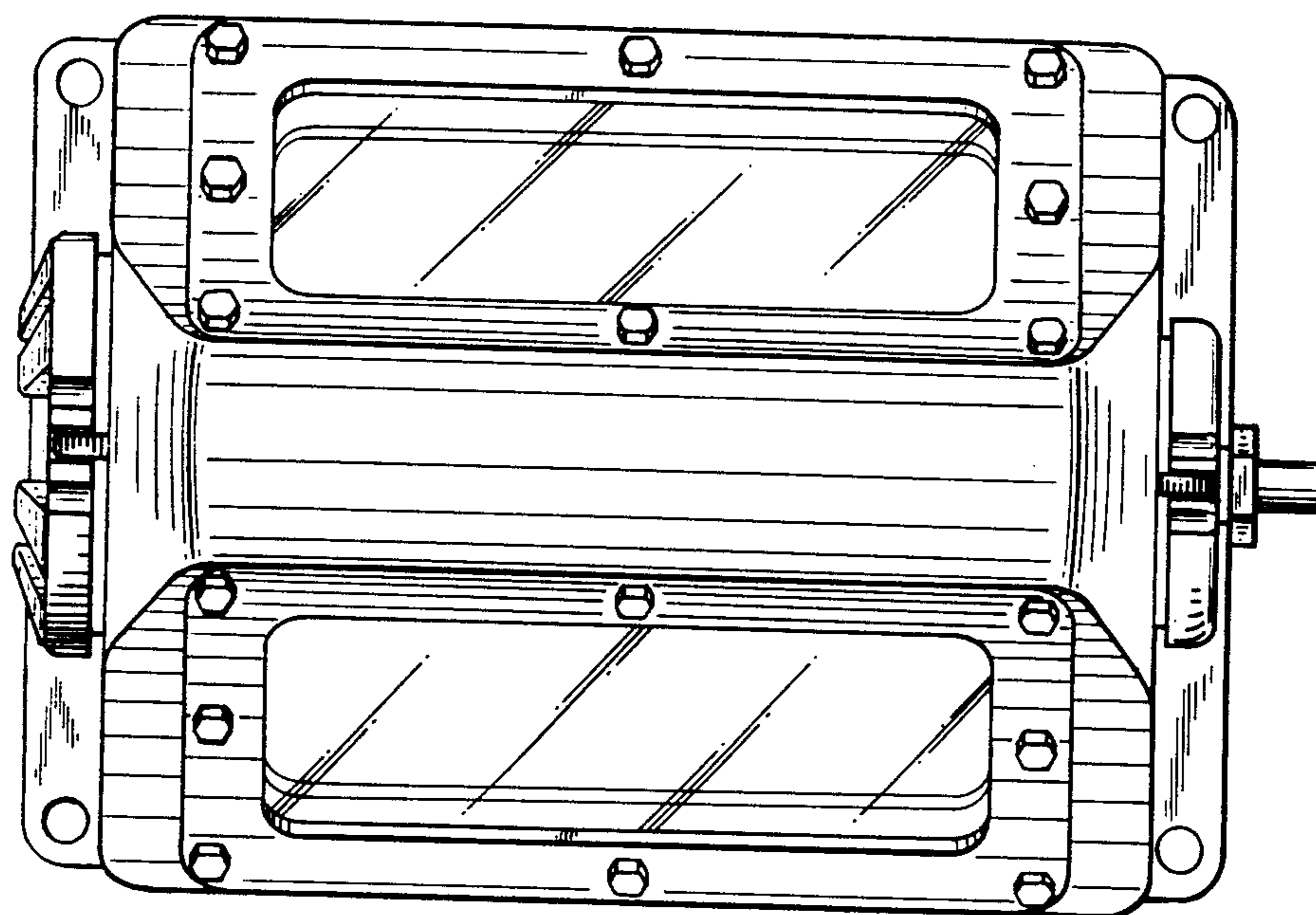


FIG. 2

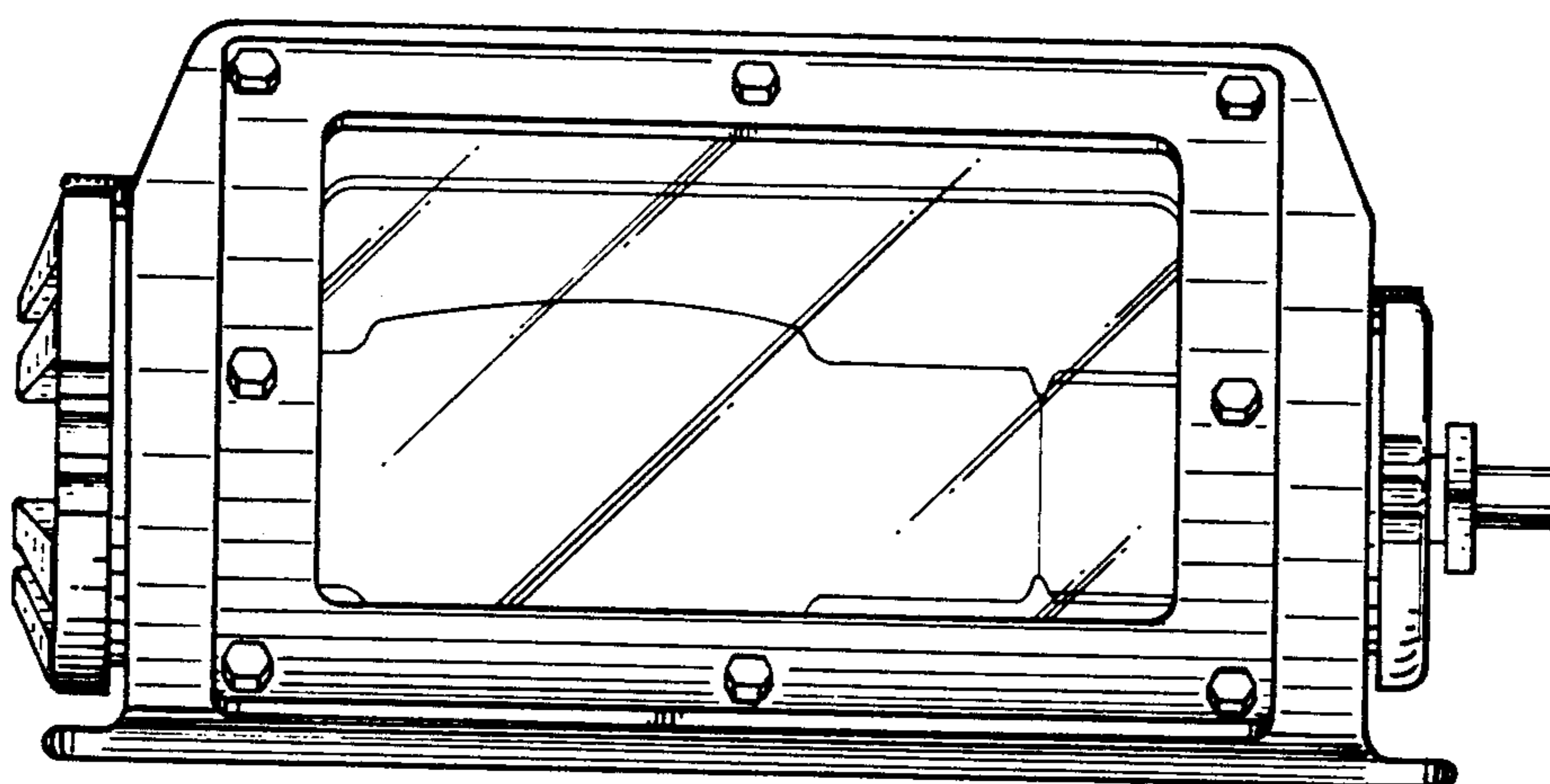


FIG. 3

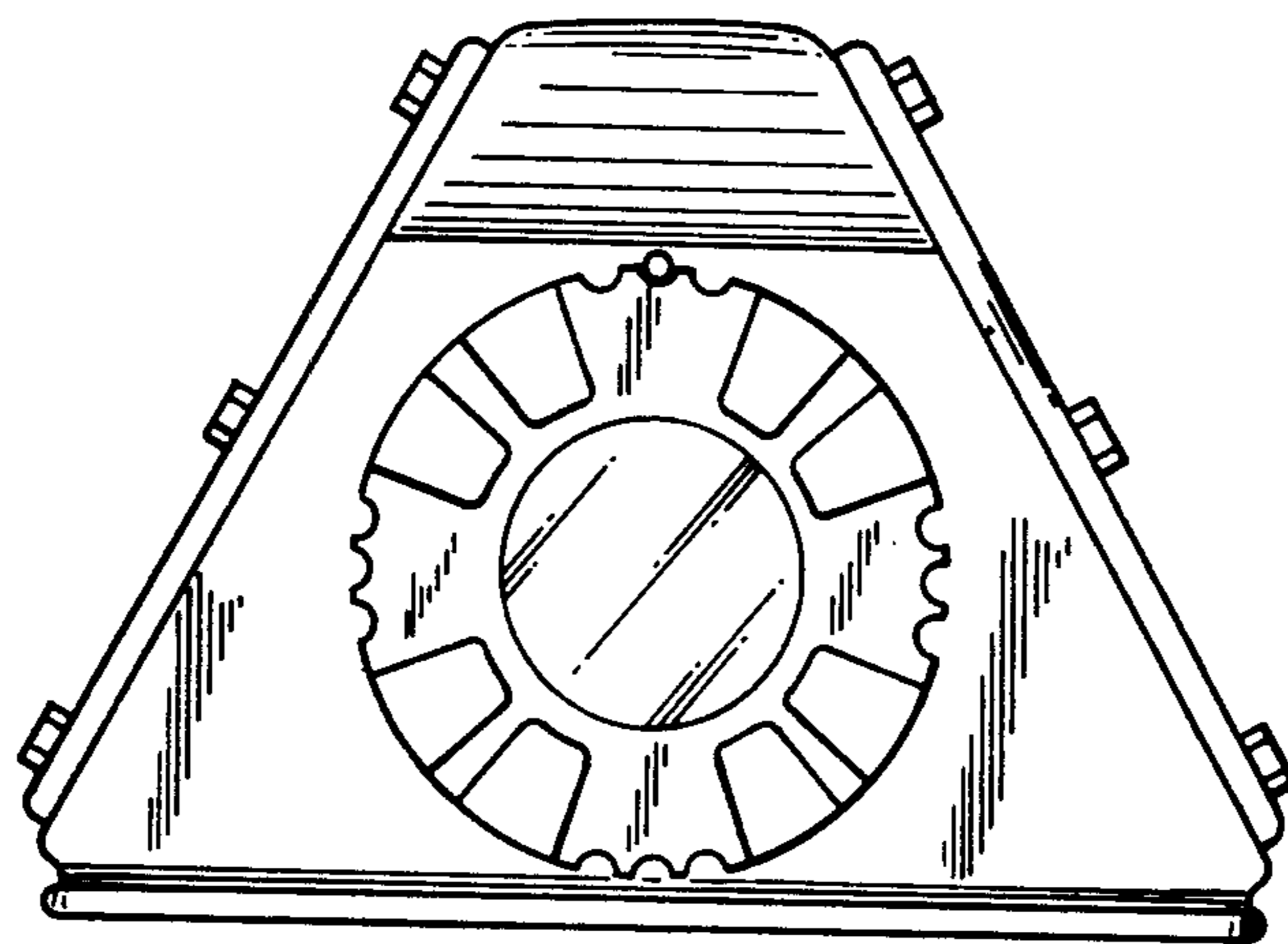


FIG. 4

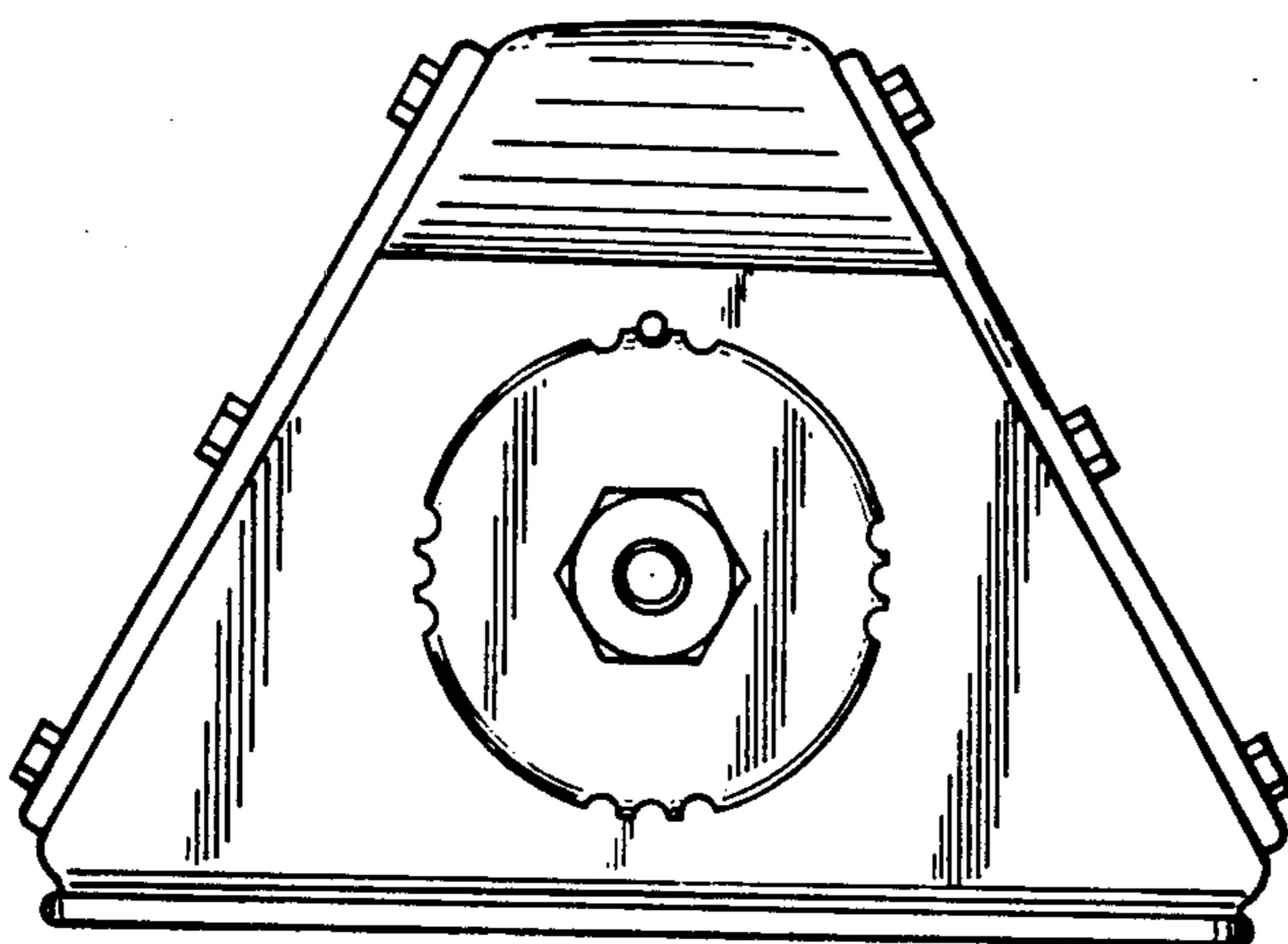


FIG. 5