

[54] TOY HELICOPTER

[76] Inventor: Frank W. Spore, 13074 Gladstone St., Sylmar, Calif. 91342

[\*\*] Term: 14 Years

[21] Appl. No.: 754,637

[22] Filed: Dec. 27, 1976

[51] Int. Cl. .... D21-01

[52] U.S. Cl. .... D34/15 KK

[58] Field of Search .... D34/15 HH, 15 KK, 15 HR; D12/71, 73, 74; 46/74 R, 76 R, 82, 75

[56] References Cited

U.S. PATENT DOCUMENTS

D. 169,558	5/1953	Nagler .....	D12/73
3,229,414	1/1966	Bross .....	46/74 R
3,237,342	3/1966	Bross .....	46/78

OTHER PUBLICATIONS

Cherilea Catalog, 2-1976, p. 9, Helicopter.

Primary Examiner—Joel Stearman

Assistant Examiner—C. A. Rademaker

Attorney, Agent, or Firm—Harvy S. Hertz

[57] CLAIM

The ornamental design for a toy helicopter, substantially as shown and described.

DESCRIPTION

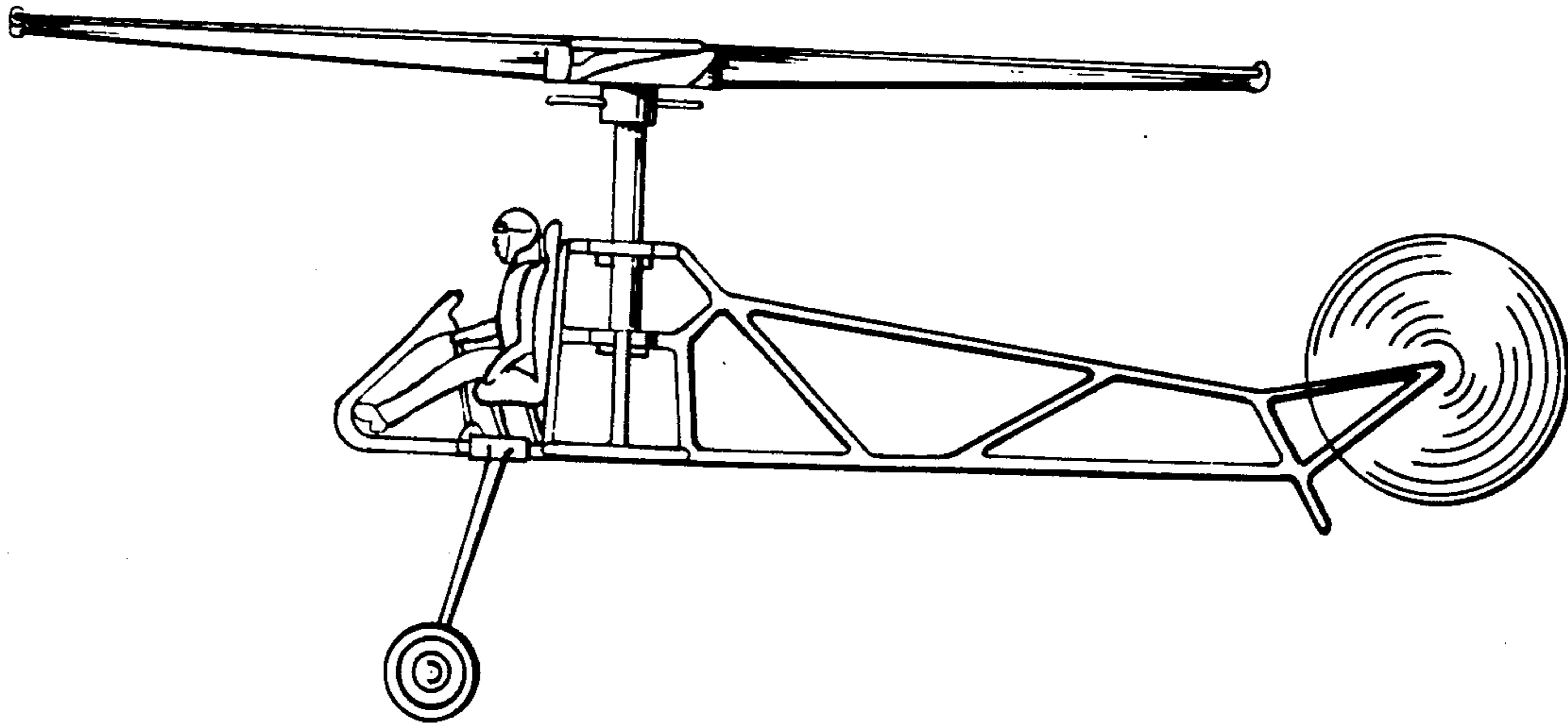
FIG. 1 is a left side elevational view of a toy helicopter showing my new design, the side opposite being substantially a mirror image;

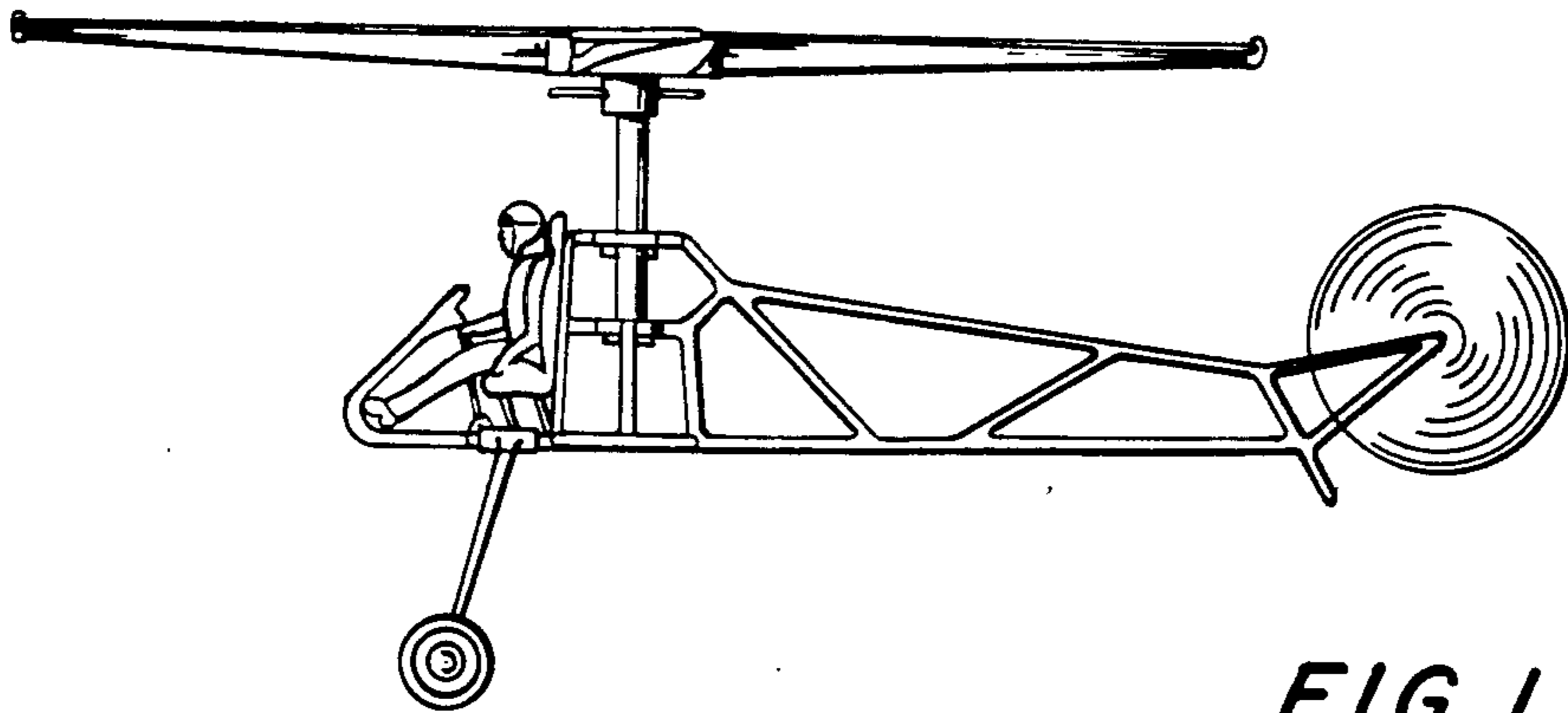
FIG. 2 is a top plan view;

FIG. 3 is a front elevational view;

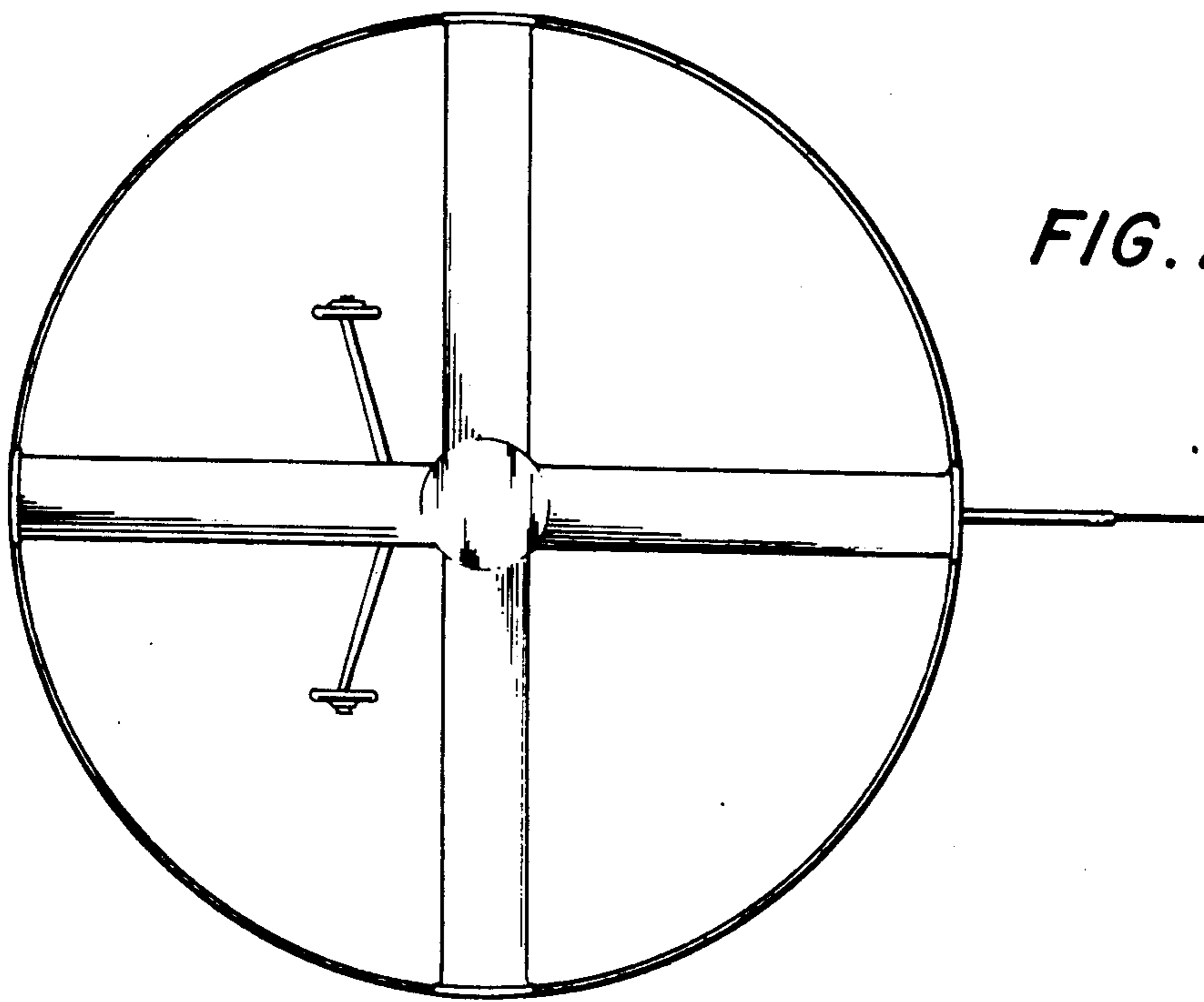
FIG. 4 is a bottom plan view; and

FIG. 5 is a rear elevational view.

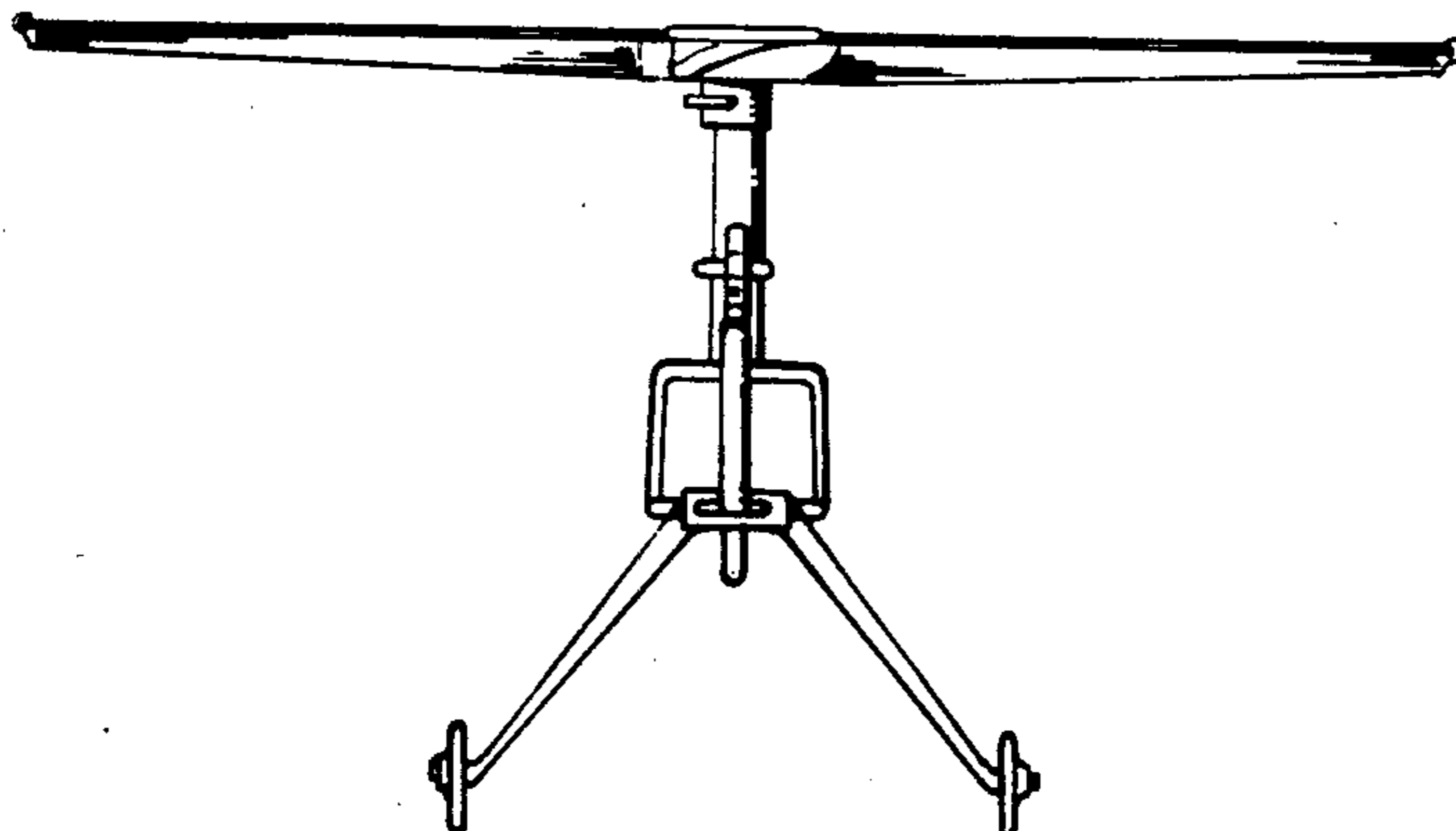




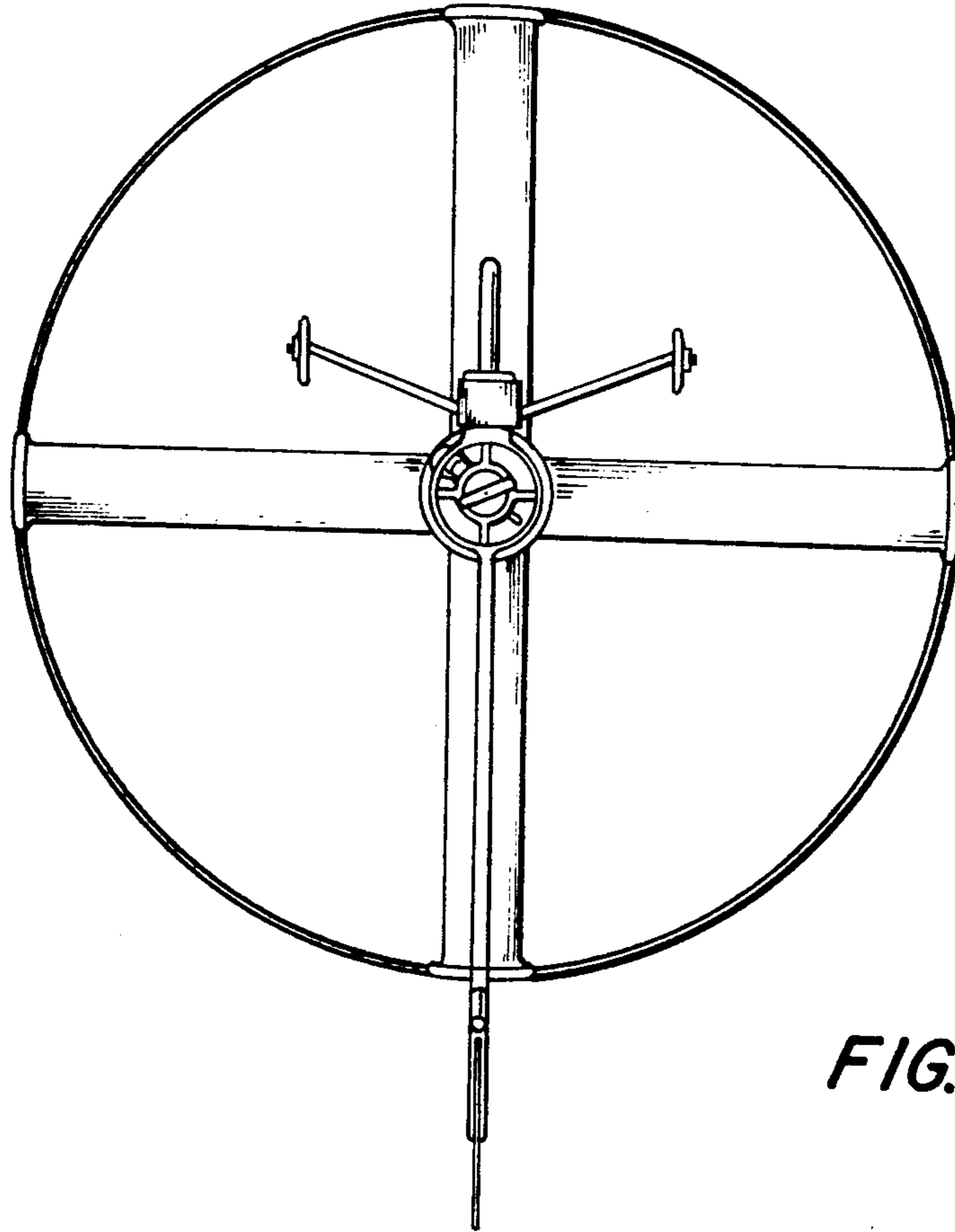
*FIG. 1*



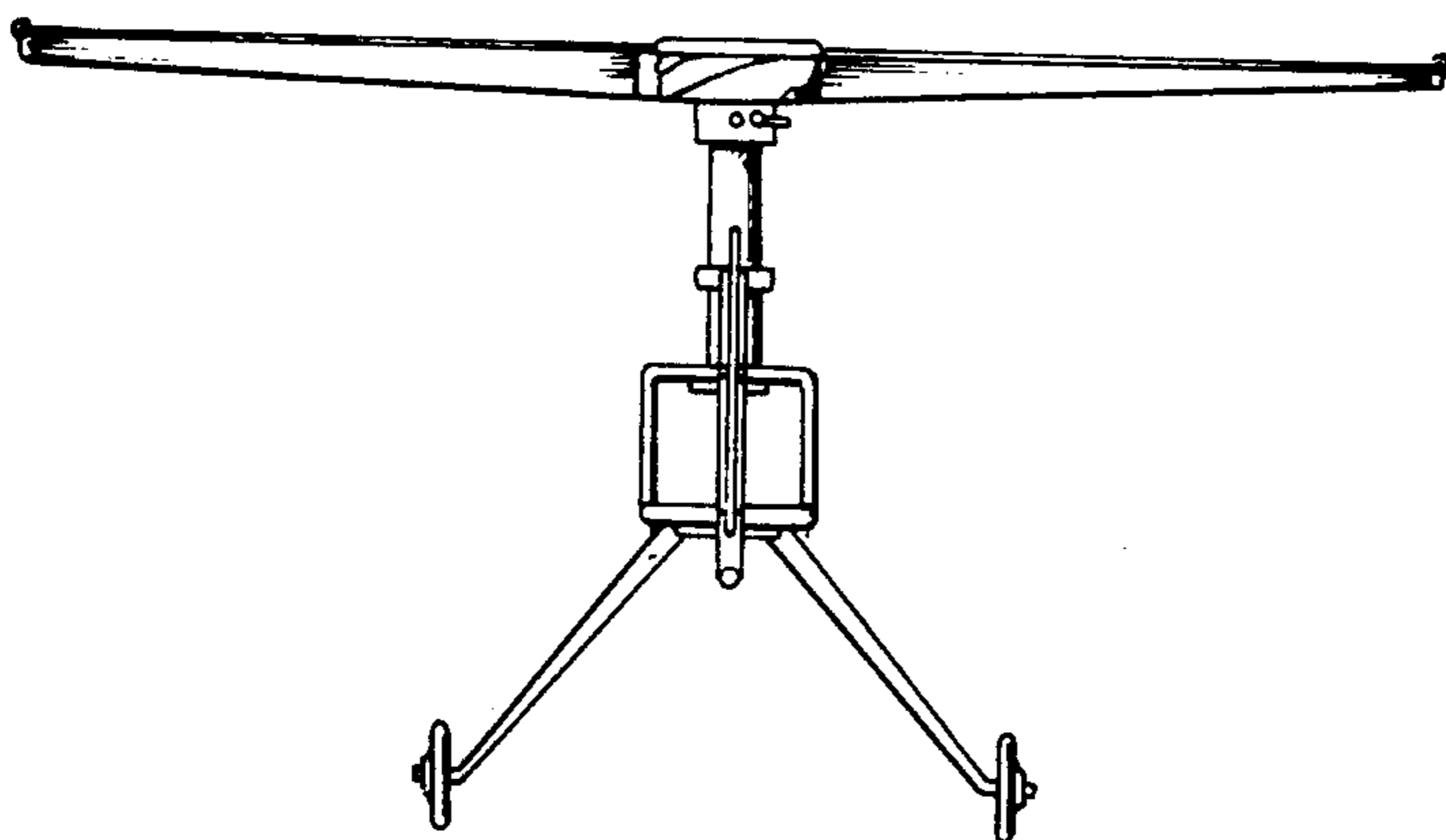
*FIG. 2*



*FIG. 3*



*FIG. 4*



*FIG. 5*