

[54] MODULAR BUILDING STRUCTURE

[76] Inventor: Clifford C. Whitney, Jr., 3620 Springbrook, Dallas, Tex. 75205

[\*\*] Term: 14 Years

[21] Appl. No.: 737,892

[22] Filed: Nov. 1, 1976

[51] Int. Cl. .... D25—03

[52] U.S. Cl. .... D25/4; D25/22; D25/23; D25/32

[58] Field of Search ..... D25/1, 3, 4, 13, 16, D25/17, 18, 19, 22, 23, 26, 37, 32, 33; 52/79.1, 79.2, 79.8, 79.7, 80, 236.1, 73

[56] References Cited

U.S. PATENT DOCUMENTS

D. 227,006	5/1973	Laitinen .....	D25/33
D. 227,456	6/1973	Fulmer .....	D25/4
3,562,974	2/1971	Niemeyer .....	52/73
3,690,077	9/1972	Dalglish, Jr. et al. ....	52/79.8
3,707,813	1/1973	Cymbrowitz et al. ....	52/79.2 X
3,965,626	6/1976	Johnson .....	D25/22 X
3,974,600	8/1976	Pearce .....	52/236.1 X

Primary Examiner—A. Hugo Word

Attorney, Agent, or Firm—Thomas D. Copeland, Jr.

[57] CLAIM

The ornamental design for a modular building structure, as shown and described.

DESCRIPTION

FIG. 1 is a perspective view taken from above one embodiment of the design of my invention;

FIG. 2 is a top plan view of a multi-level embodiment of the design of FIG. 1;

FIG. 3 is a top plan view of a single level, multi-unit embodiment of the design of FIG. 1;

FIG. 4 is a perspective view of the bottom structure of the embodiments shown in FIGS. 5 and 6;

FIG. 5 is a perspective view taken from above another embodiment of the design of my invention;

FIG. 6 is a top plan view of the article of FIG. 5.

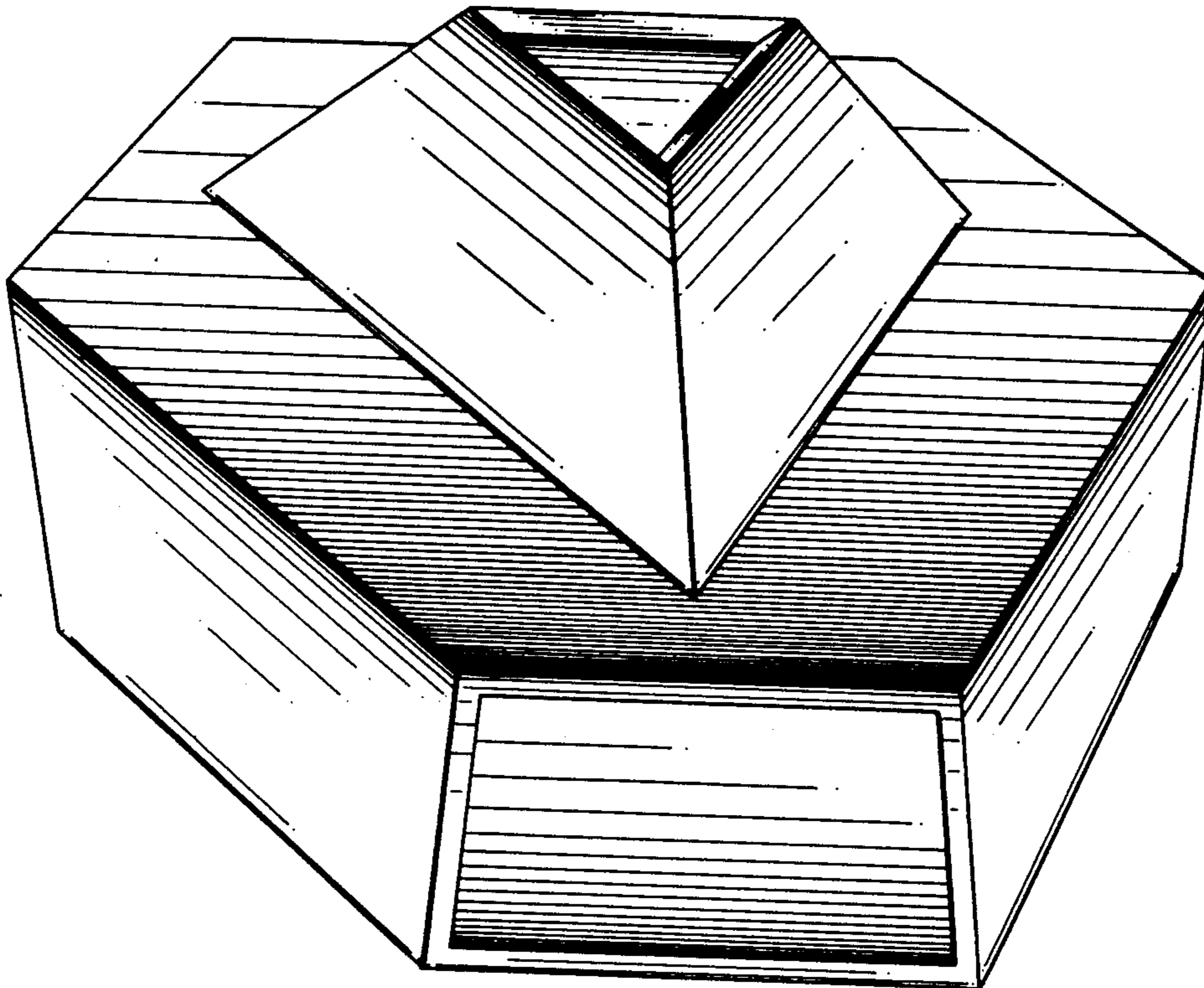
FIG. 7 is a front elevational view of the embodiment of FIG. 1;

FIG. 8 is a side elevational view of the structure of FIGS. 1 and 7;

FIG. 9 is a front elevational view of the embodiment shown in FIGS. 5 and 6;

FIG. 10 is a side elevational view of the structure of FIGS. 5, 6 and 9.

The bottom views of the articles of FIGS. 1 and 6 are plain and identical in outline to the top plan views of these figures.



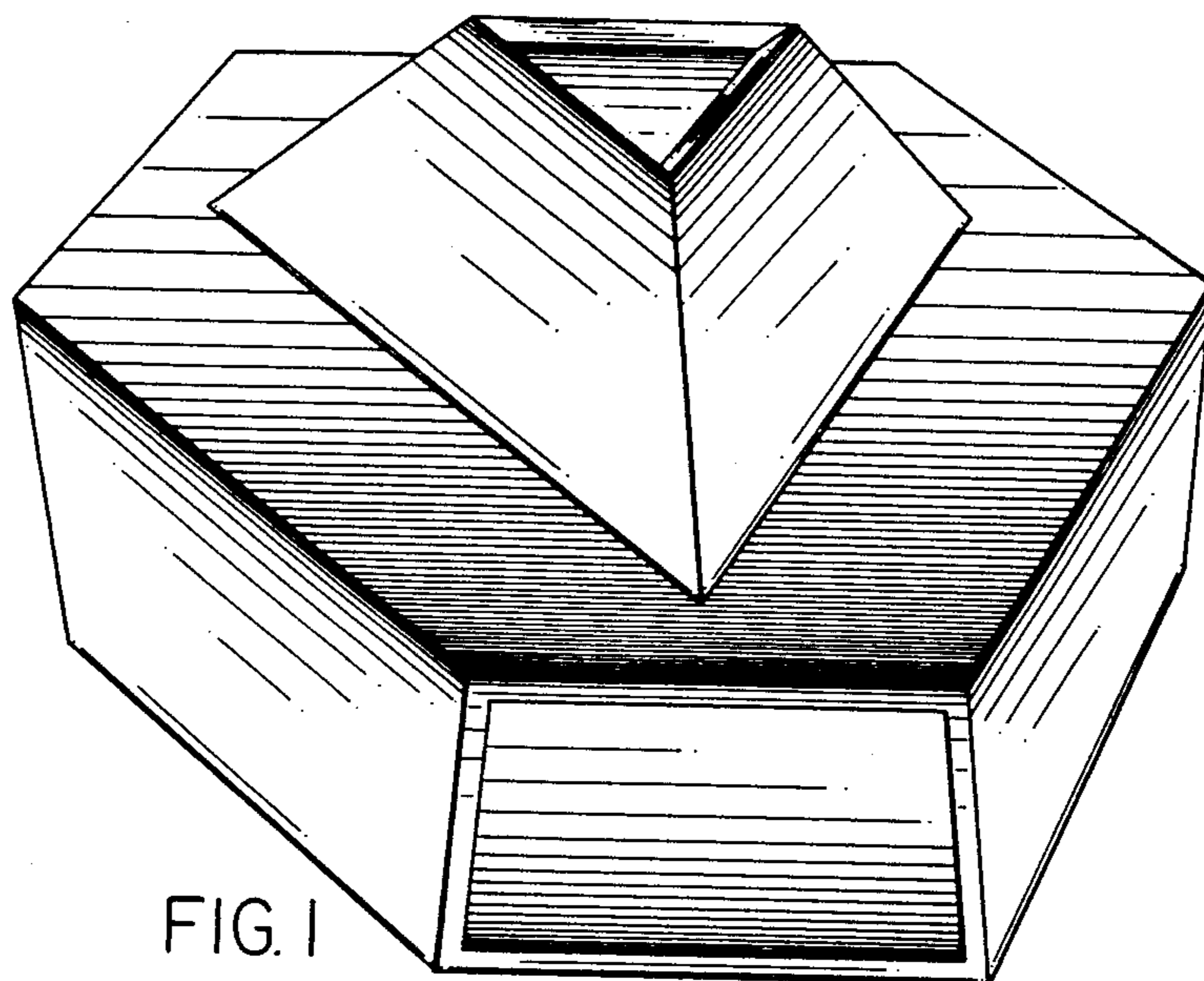


FIG. 1

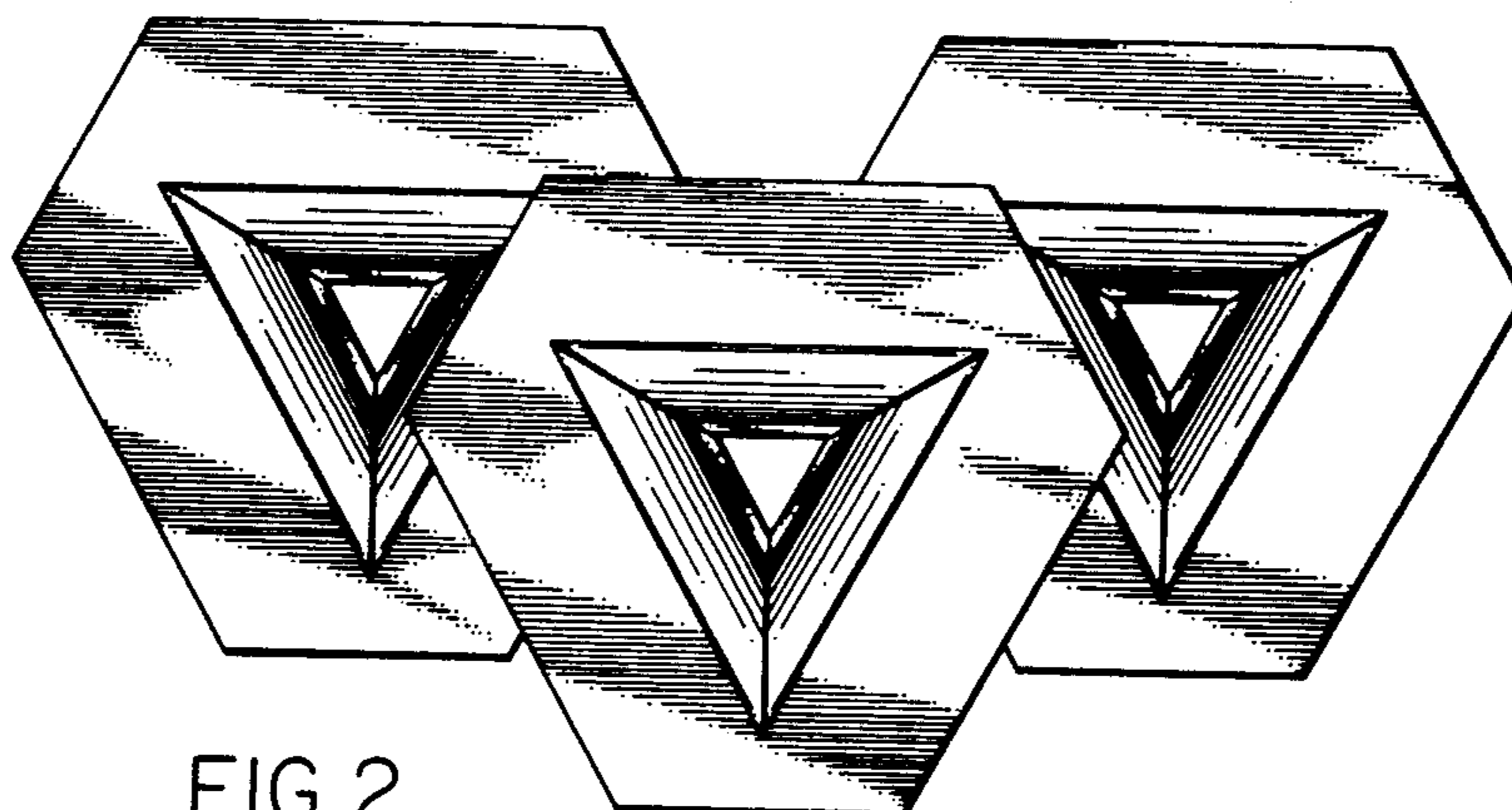


FIG. 2

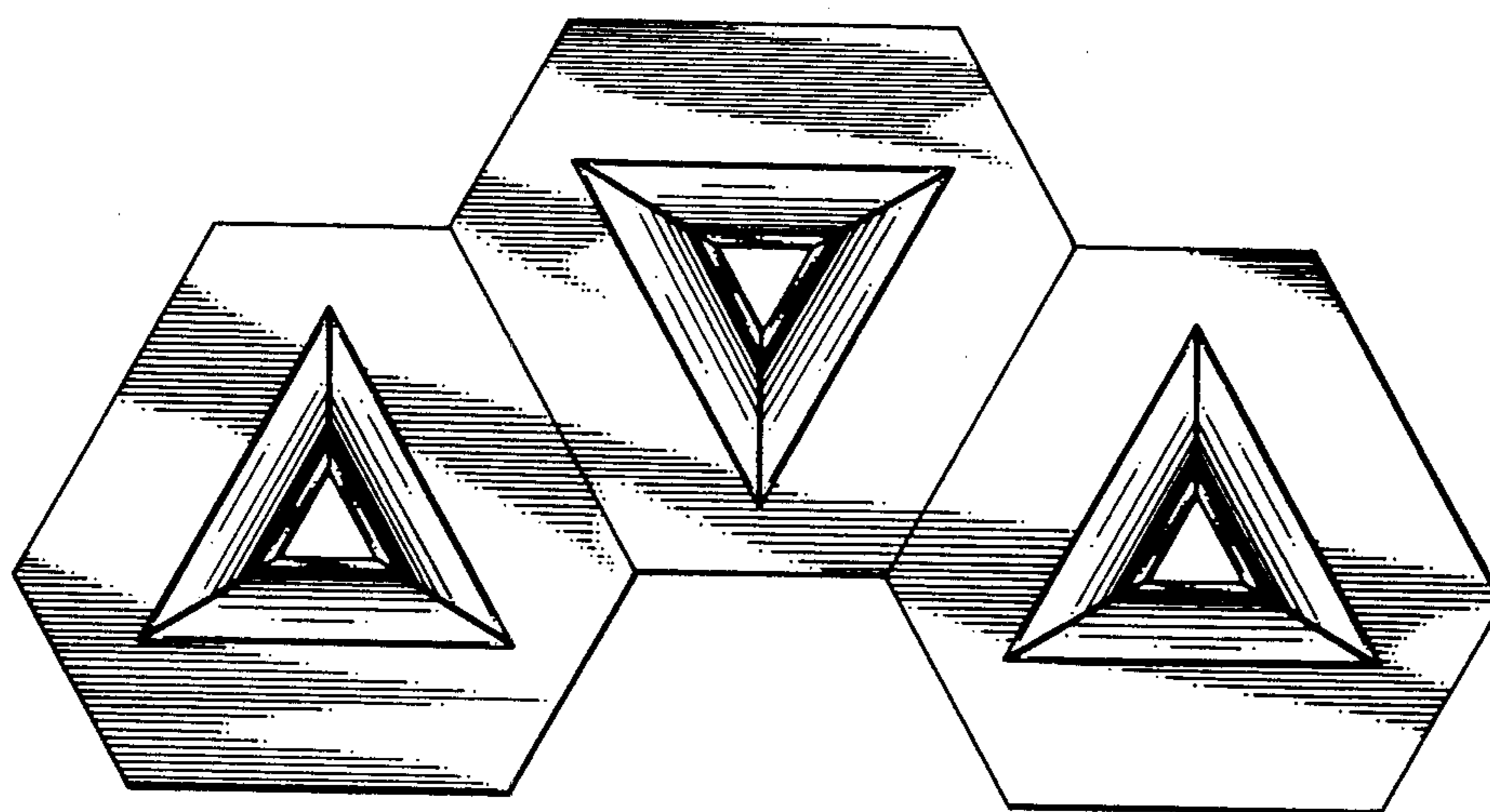


FIG. 3

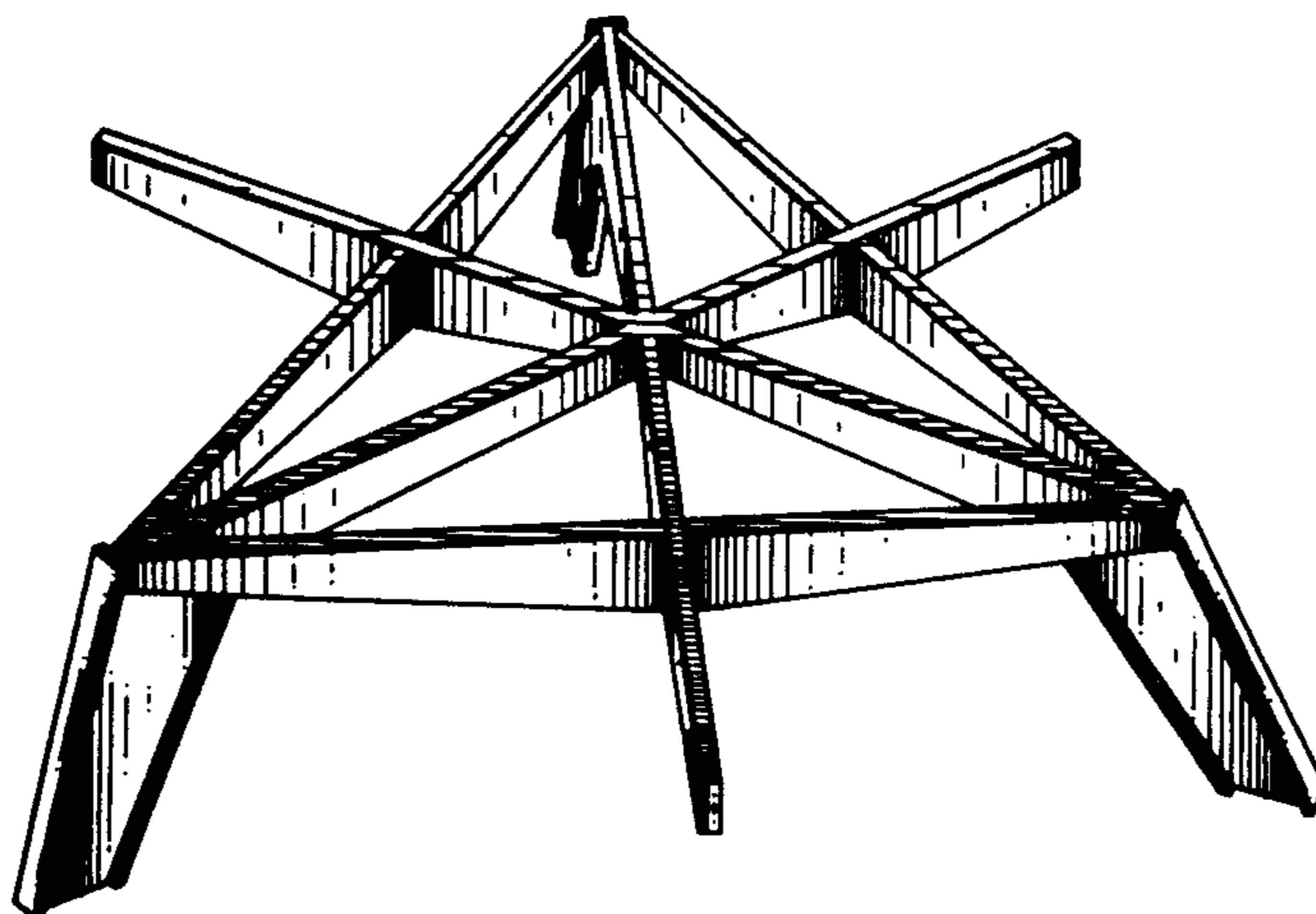


FIG. 4

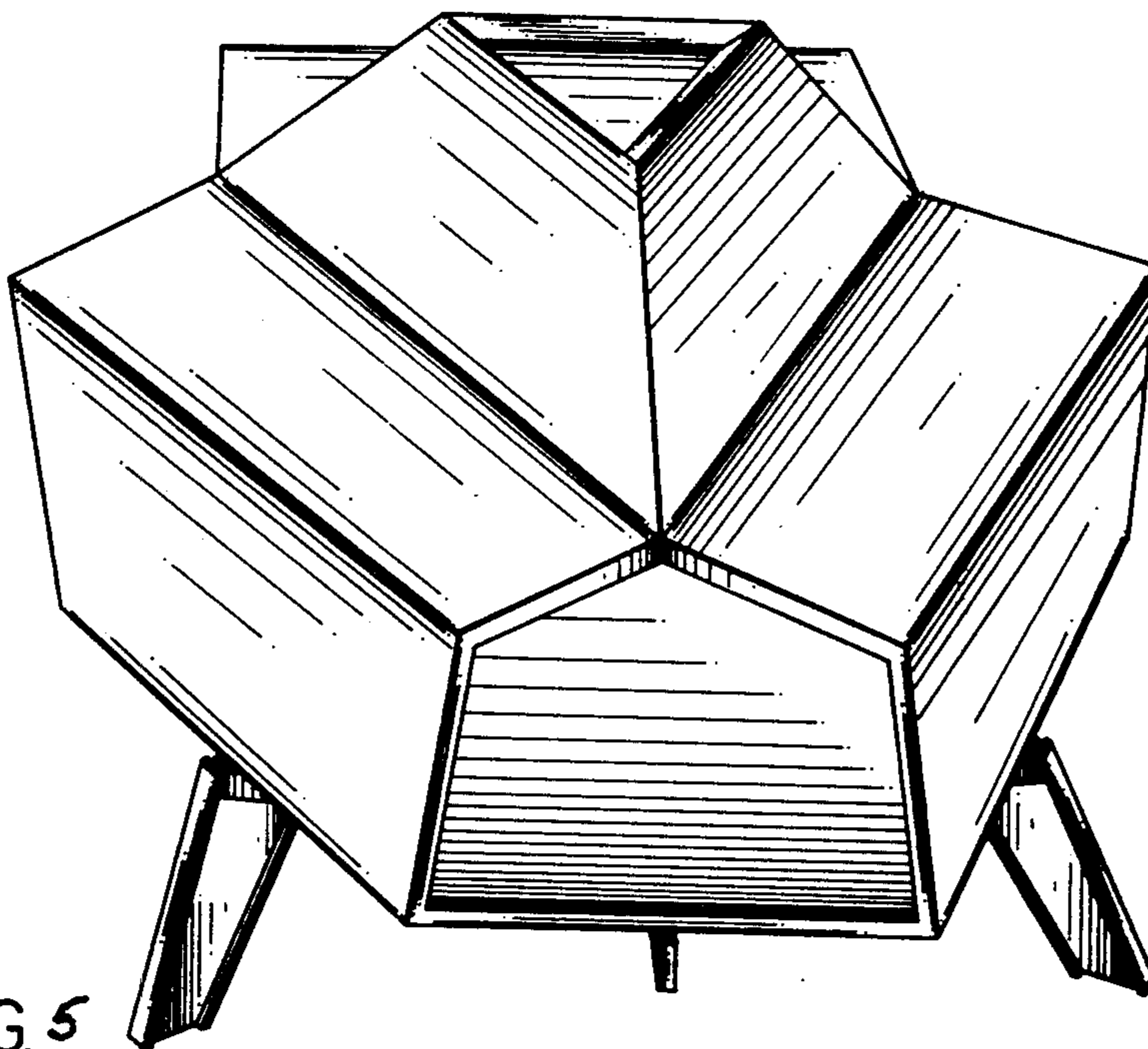


FIG. 5

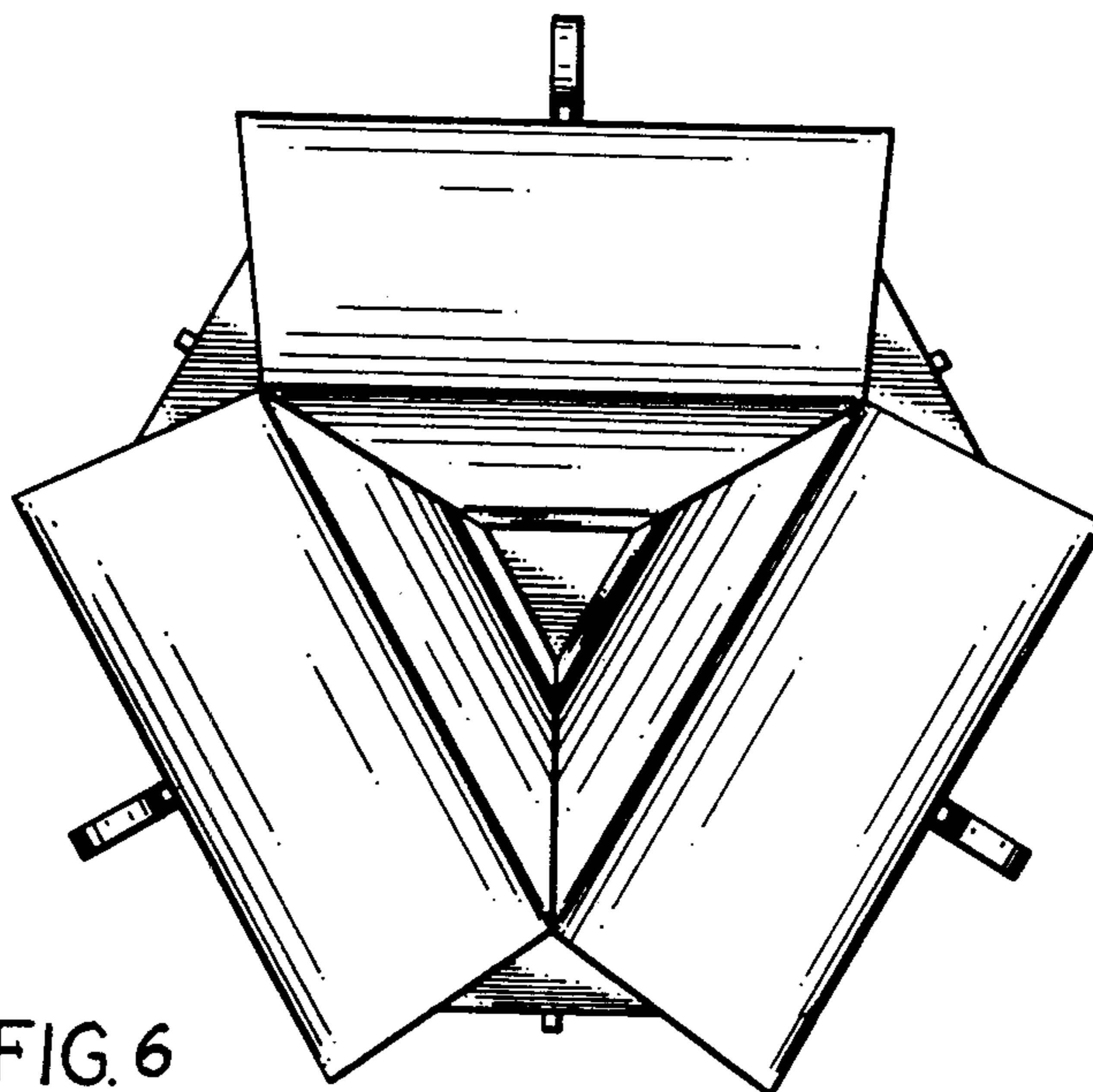


FIG. 6

FIG. 9

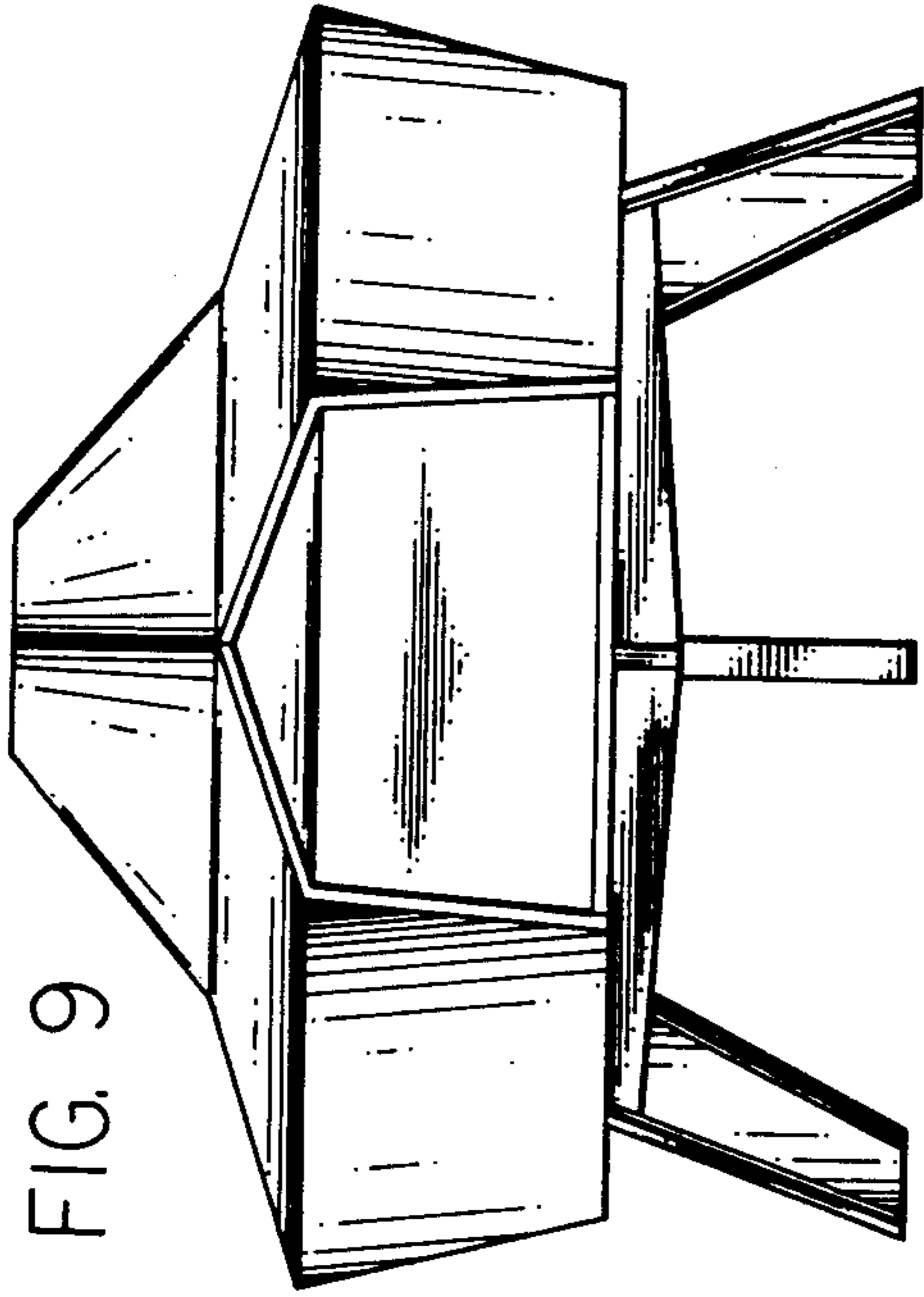


FIG. 10

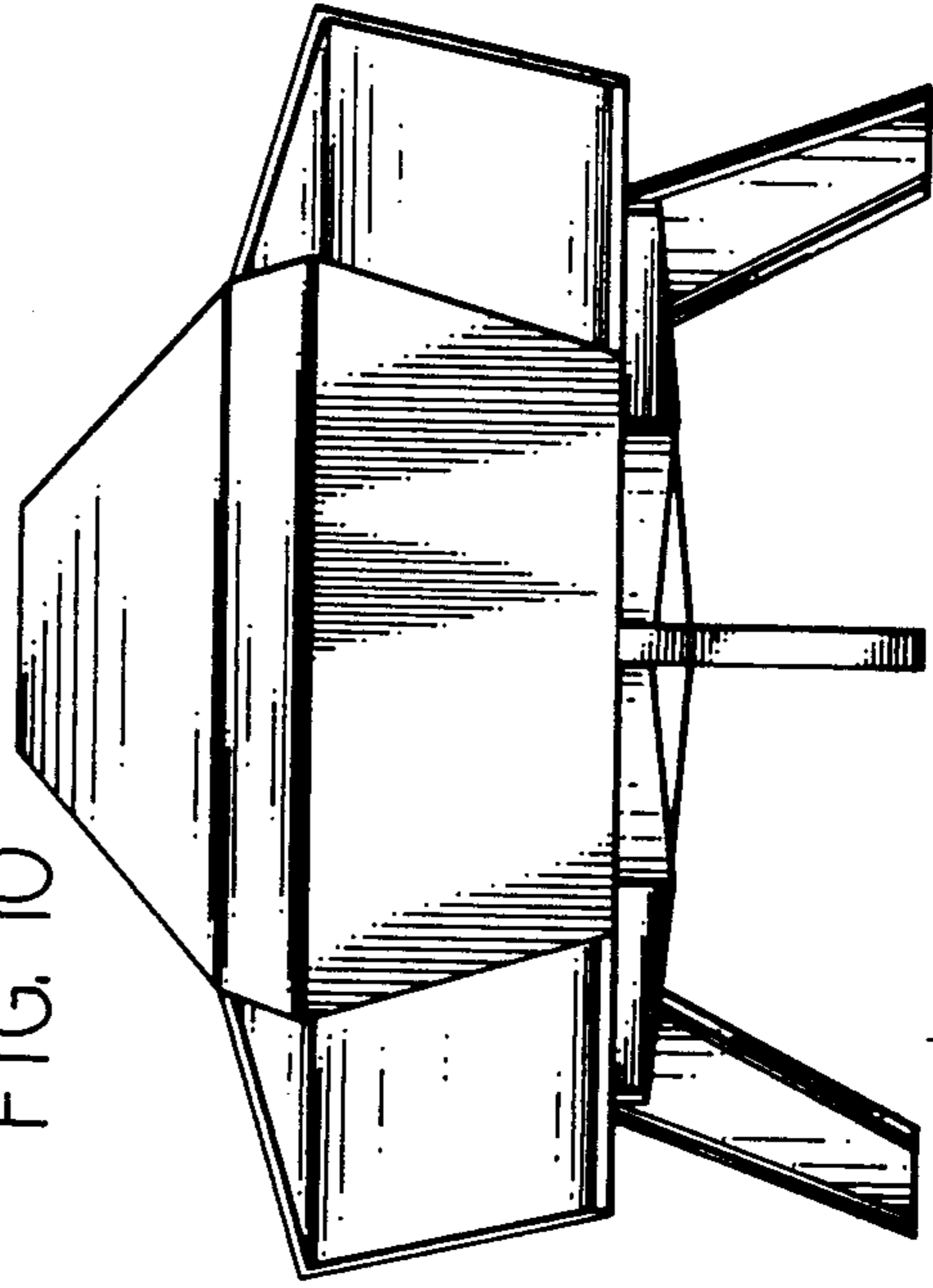


FIG. 7

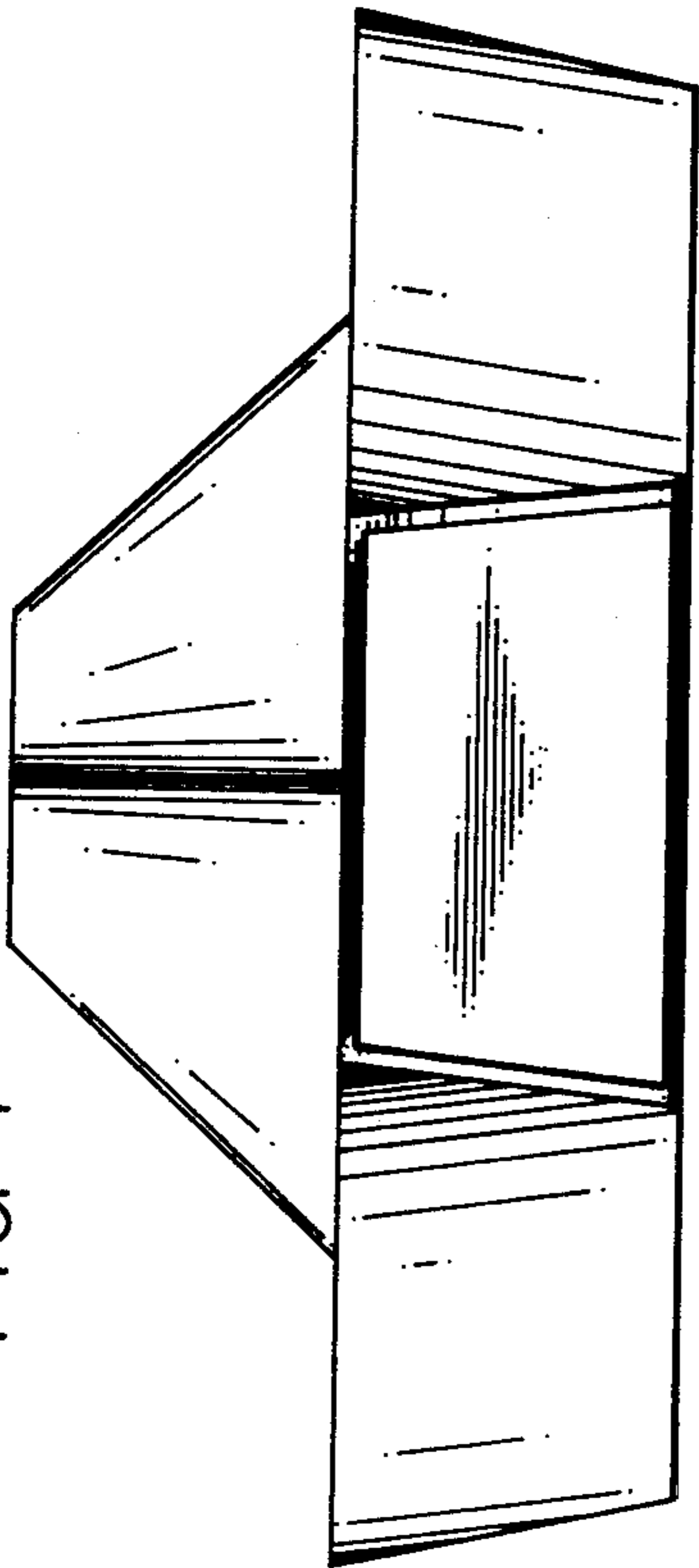


FIG. 8

