

[54] BATHTUB

[76] Inventor: Horst G. Bonsack, Flat 17, 51 South St., London, W.1, England

[**] Term: 14 Years

[21] Appl. No.: 842,955

[22] Filed: Oct. 17, 1977

[30] Foreign Application Priority Data

Apr. 27, 1977 [GB] United Kingdom 979827

[51] Int. Cl. D23-02

[52] U.S. Cl. D23/55

[58] Field of Search 4/2-5, 4/146, 148, 160-164, 166, 173, 175, 176, 178, 180, 185 R, 185 B, 187 R

[56] References Cited

U.S. PATENT DOCUMENTS

D. 224,302 7/1972 Tiller D23/55

D. 237,182 10/1975 Rosenhaus D23/55

D. 237,183 10/1975 Bonsack D23/55
D. 247,444 3/1978 Bonsack D23/49
3,297,025 1/1967 Jacuzzi D23/55 X

FOREIGN PATENT DOCUMENTS

1266180 5/1961 France 4/148

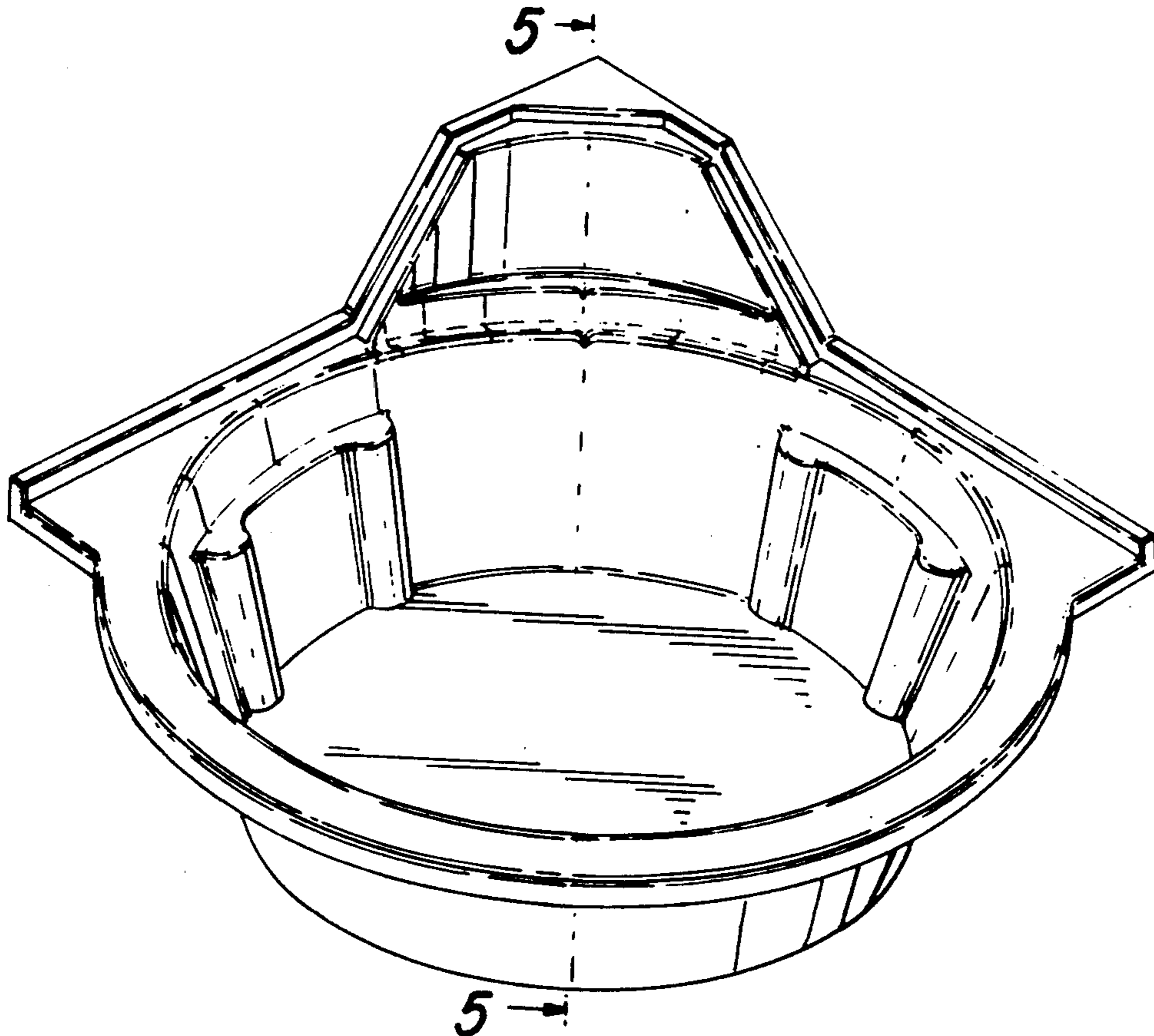
Primary Examiner—James R. Largen

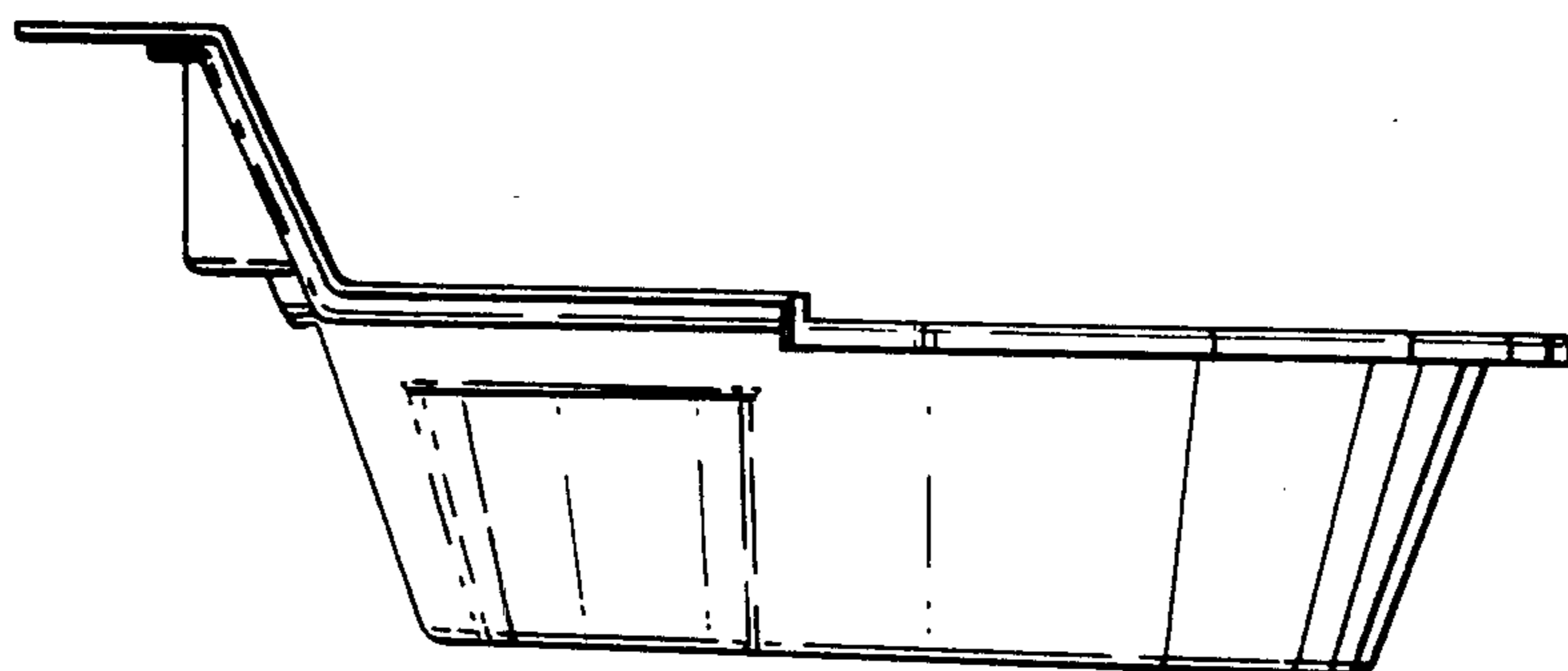
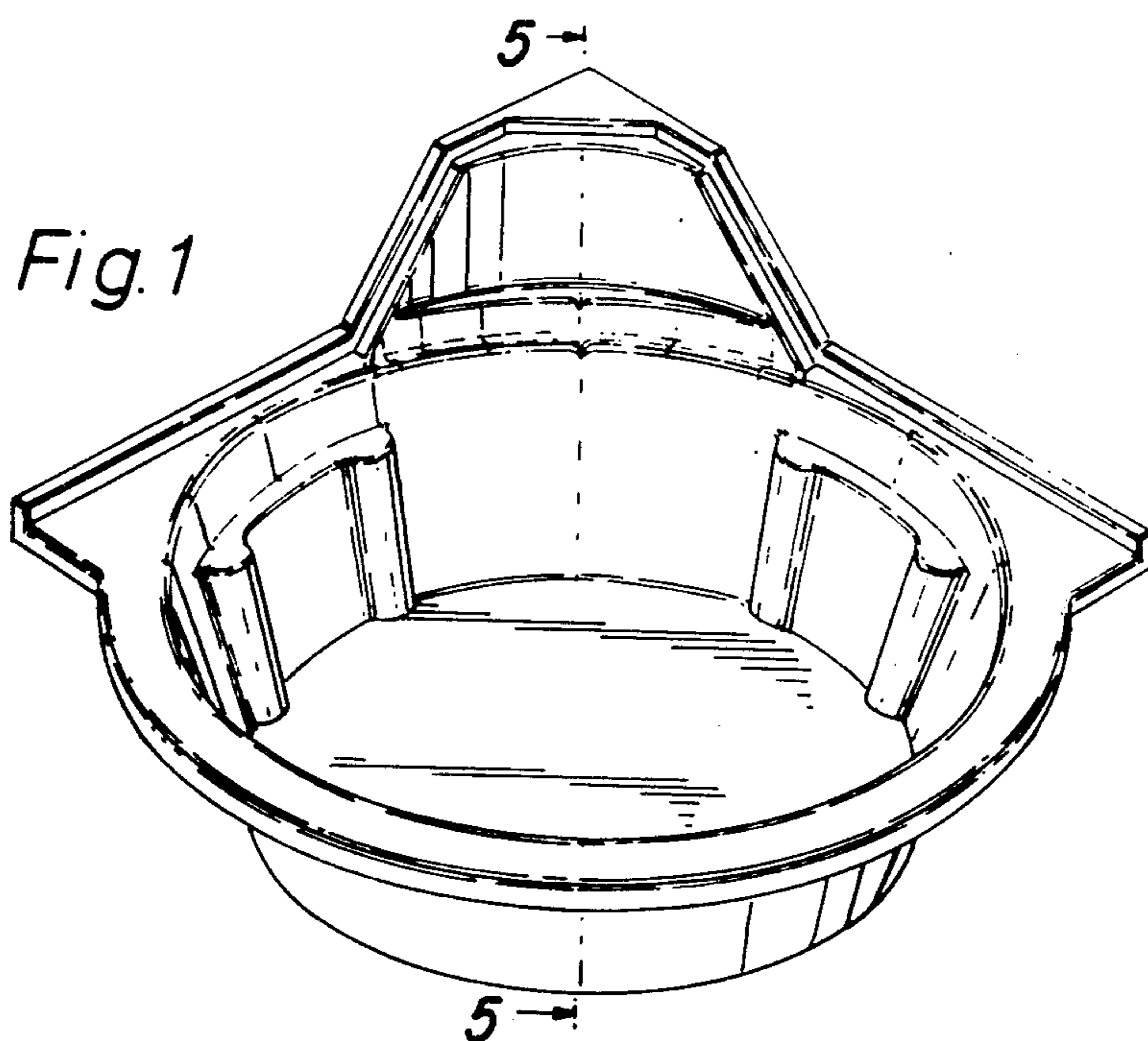
[57] CLAIM

The ornamental design for a bathtub, as shown and described.

DESCRIPTION

FIG. 1 is a perspective view taken from the front and top of a bathtub showing my new design; FIG. 2 is a left side elevational view thereof, the right side being a mirror image of the left side shown; FIG. 3 is a bottom plan view thereof; FIG. 4 is a rear elevational view thereof; and FIG. 5 is a cross sectional view taken on line 5—5 of FIG. 1.





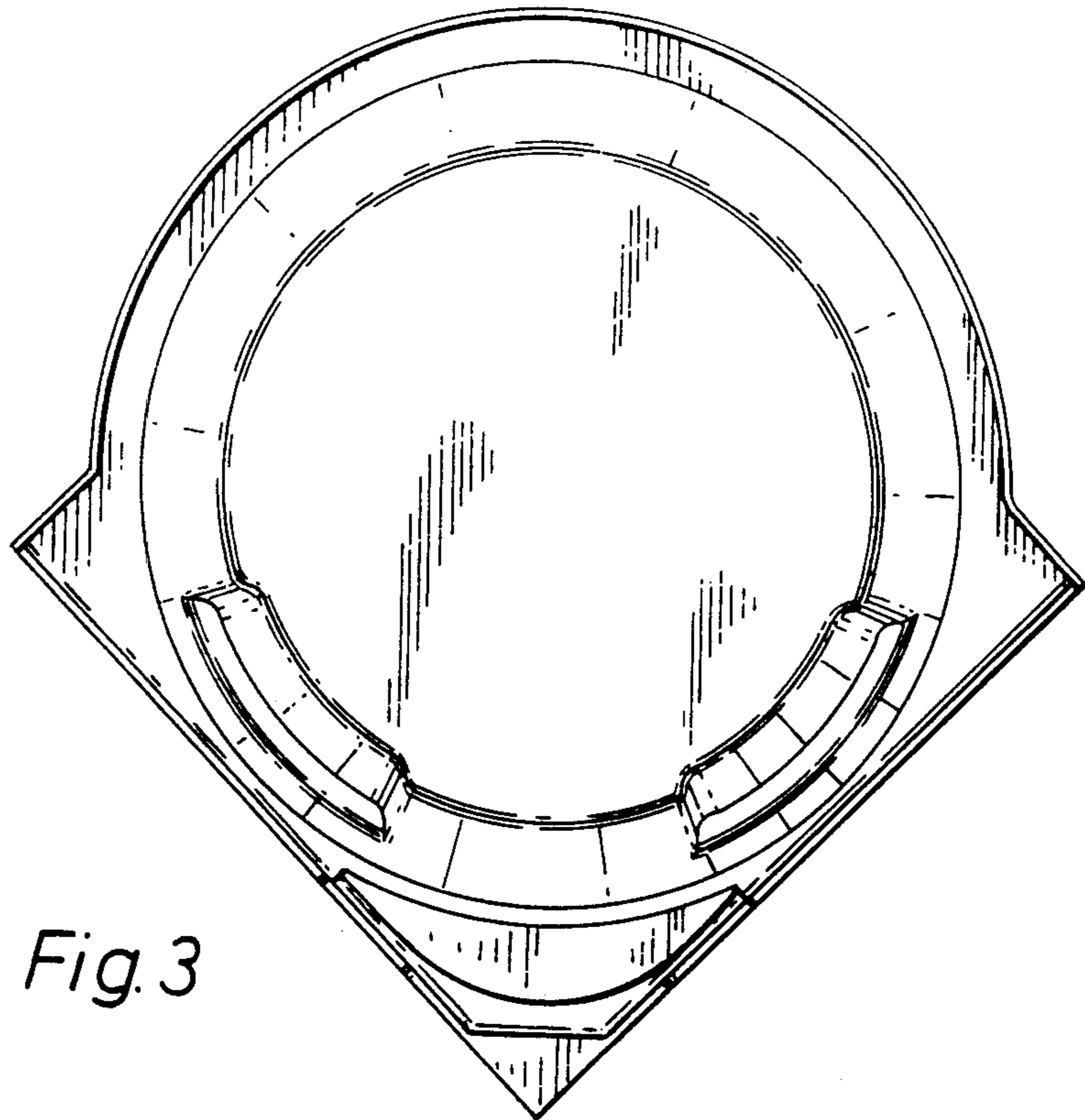


Fig. 3

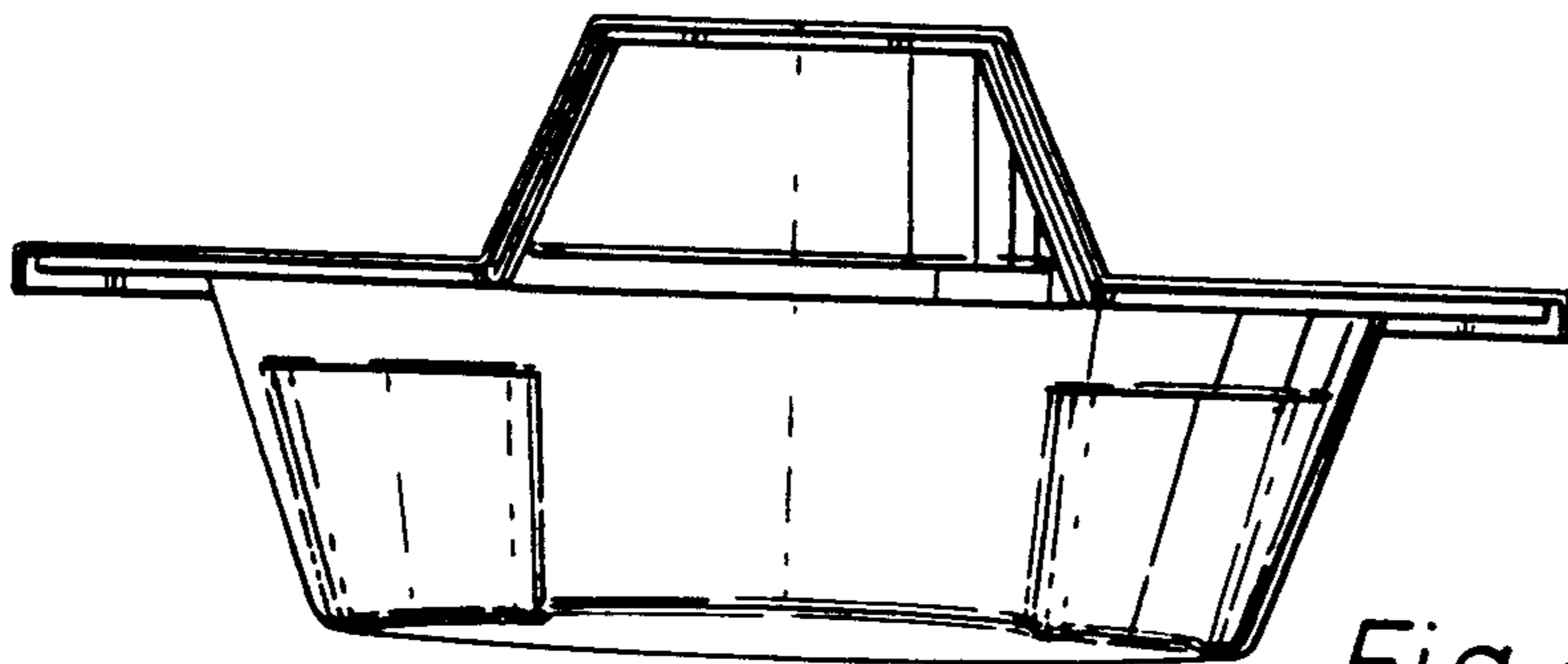


Fig. 4

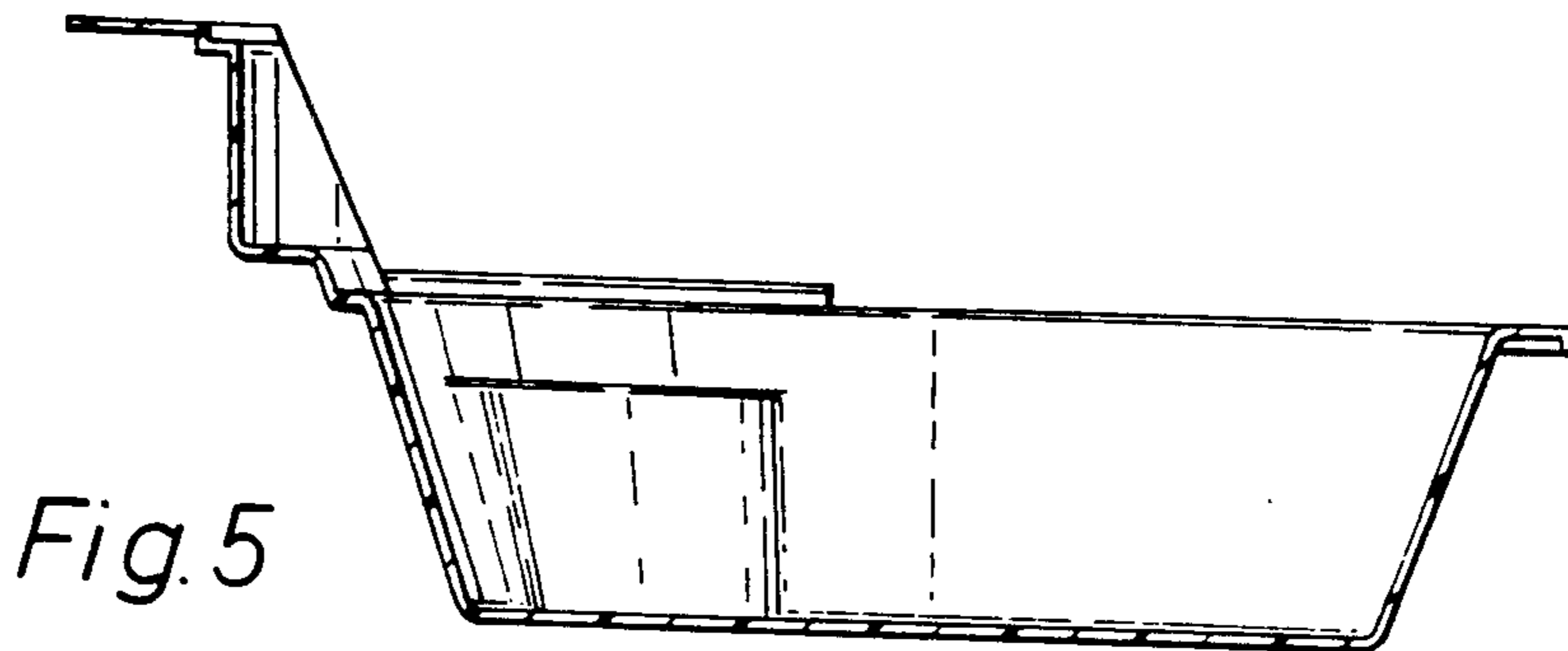


Fig. 5