

[54] DESK FILE

[76] Inventors: **Kenneth M. Bitner, Jr.**, 502 E. 8th St., Sheridan, Ind. 46069; **Robert E. Murray**, 8735 N. Pennsylvania, Indianapolis, Ind. 46240; **Charles R. Hodges**, 819 Knollwood Dr., Greenwood, Ind. 46142

[**] Term: **14 Years**

[21] Appl. No.: **776,954**

[22] Filed: **Mar. 14, 1977**

[51] Int. Cl. **D19-02**
[52] U.S. Cl. **D19/90; D6/140**
[58] Field of Search **D19/75, 86, 90, 91; D6/184, 140; 211/10, 11**

[56] **References Cited**

U.S. PATENT DOCUMENTS

D. 165,194	11/1951	Schiffer	D6/184
D. 201,411	6/1965	Tucker	D19/90
1,966,555	7/1934	Febure	D6/140
2,691,447	10/1954	Schiffer	211/11

Primary Examiner—Joel Stearman
Assistant Examiner—George P. Word
Attorney, Agent, or Firm—Harold R. Woodard

[57] **CLAIM**

The ornamental design for a desk file, as shown and described.

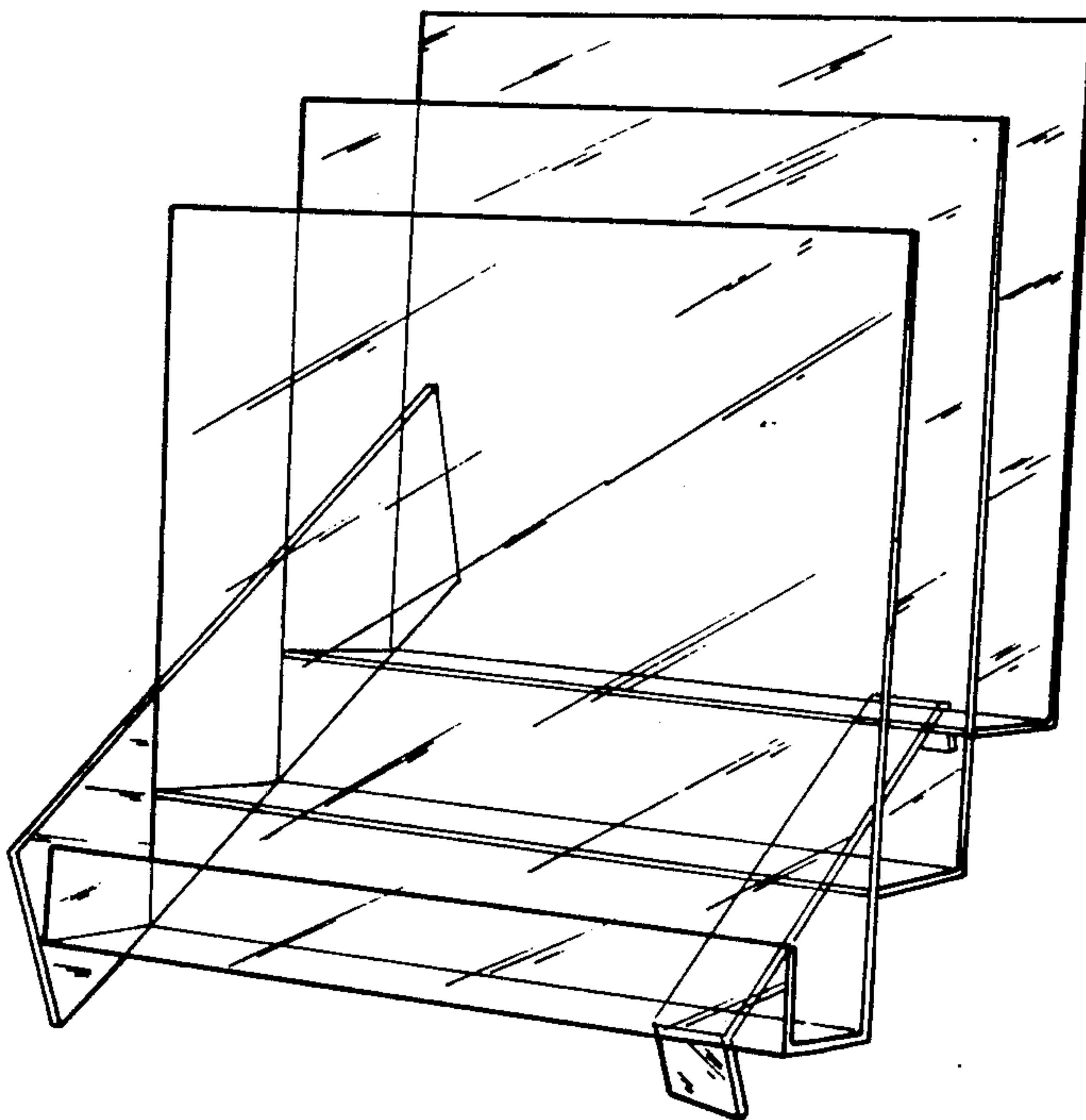
DESCRIPTION

FIG. 1 is a perspective view of a desk file showing our new design;

FIG. 2 is a front, elevational view thereof;

FIG. 3 is a right side, elevational view thereof; and,

FIG. 4 is a left side, elevational view thereof.



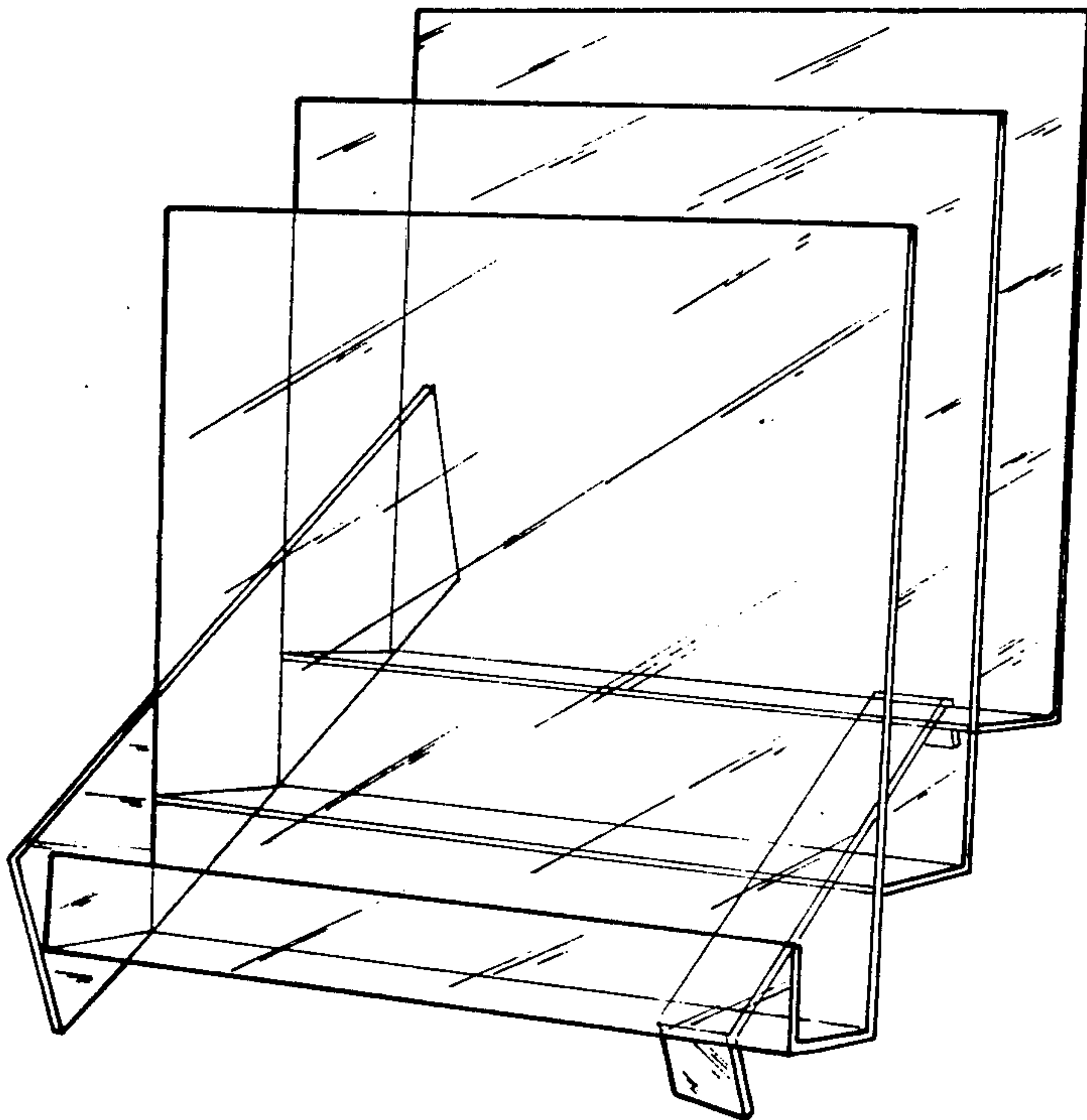


Fig. 1

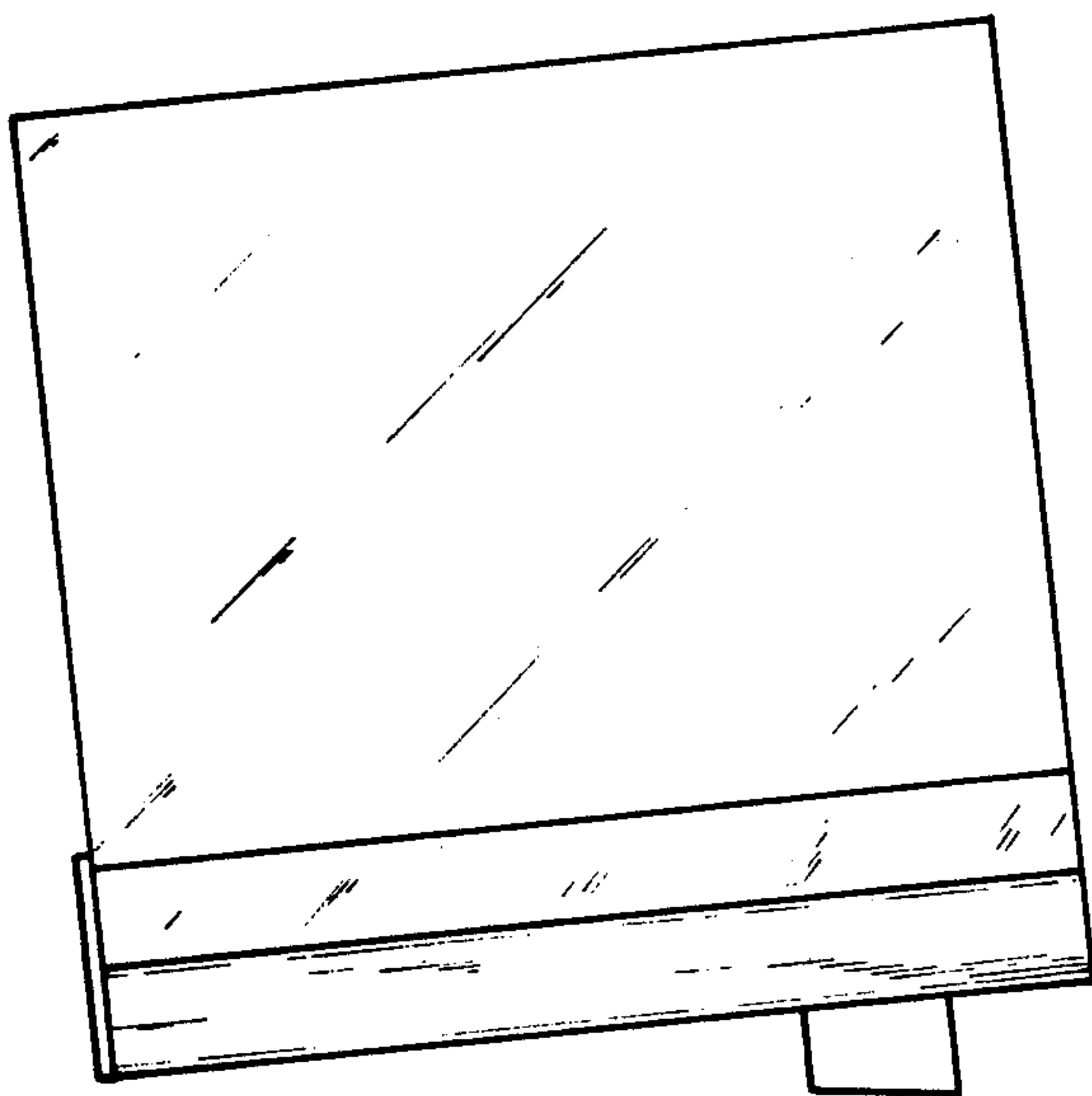


Fig. 2

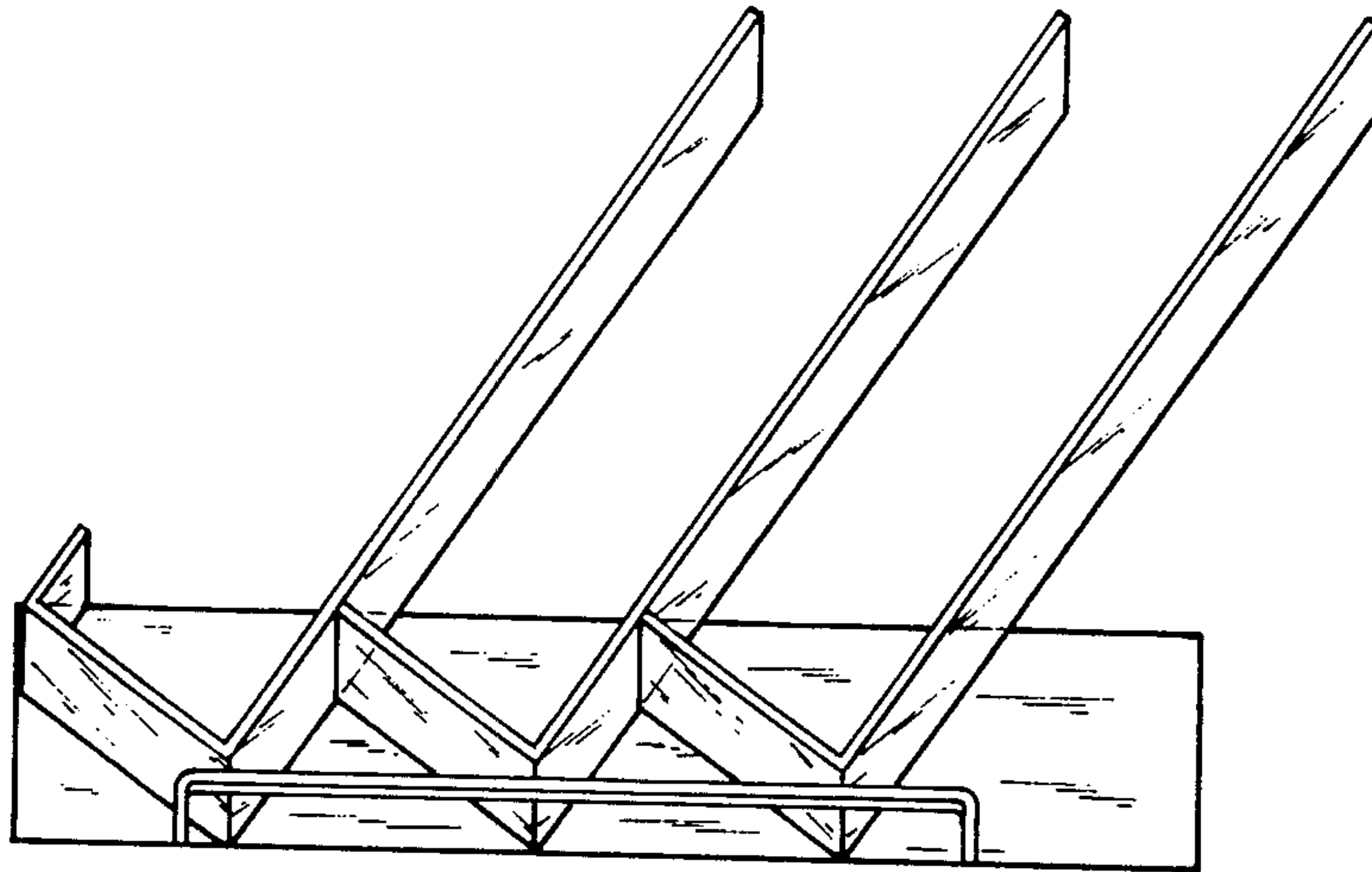


Fig. 3

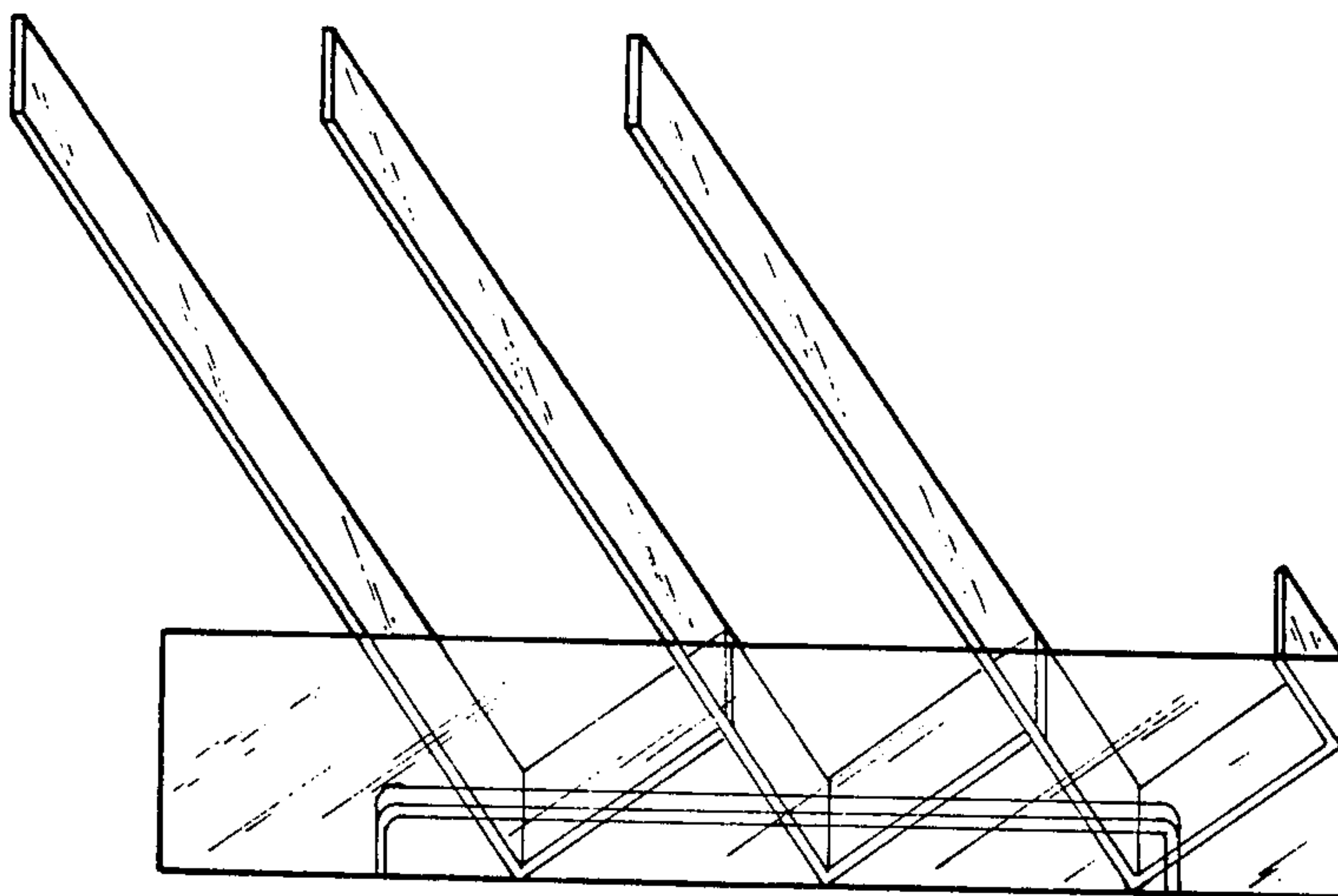


Fig. 4