

[54] PHOTOGRAPHIC CAMERA OR SIMILAR ARTICLE

[75] Inventor: David E. Hansen, Fairport, N.Y.

[73] Assignee: Eastman Kodak Company, Rochester, N.Y.

[\*\*] Term: 14 Years

[21] Appl. No.: 779,457

[22] Filed: Mar. 21, 1977

[51] Int. Cl. .... D16-01

[52] U.S. Cl. .... D16/06

[58] Field of Search ..... D16/1, 5, 6, 7, 8, 9, D16/10; 354/288, 83-93, 187-194, 150-156, 174, 202, 126, 129, 145

[56] References Cited

U.S. PATENT DOCUMENTS

- D. 244,685 6/1977 Hansen et al. .... D16/5
- D. 244,686 6/1977 Hansen ..... D16/6

OTHER PUBLICATIONS

Research Disclosure—May 1975—Item 13322—Camera with handle.

Research Disclosure—Jan. 1975—Number 129, Item 12941, pp. 31-33.

Primary Examiner—Wallace R. Burke

Assistant Examiner—Catherine Kemper

Attorney, Agent, or Firm—Robert W. Hampton

[57] CLAIM

The ornamental design for a photographic camera or similar article, as shown and described.

DESCRIPTION

FIG. 1 is a front perspective view of a photographic camera or similar article illustrating my new design and showing a hand crank in its folded position seated against the right side thereof;

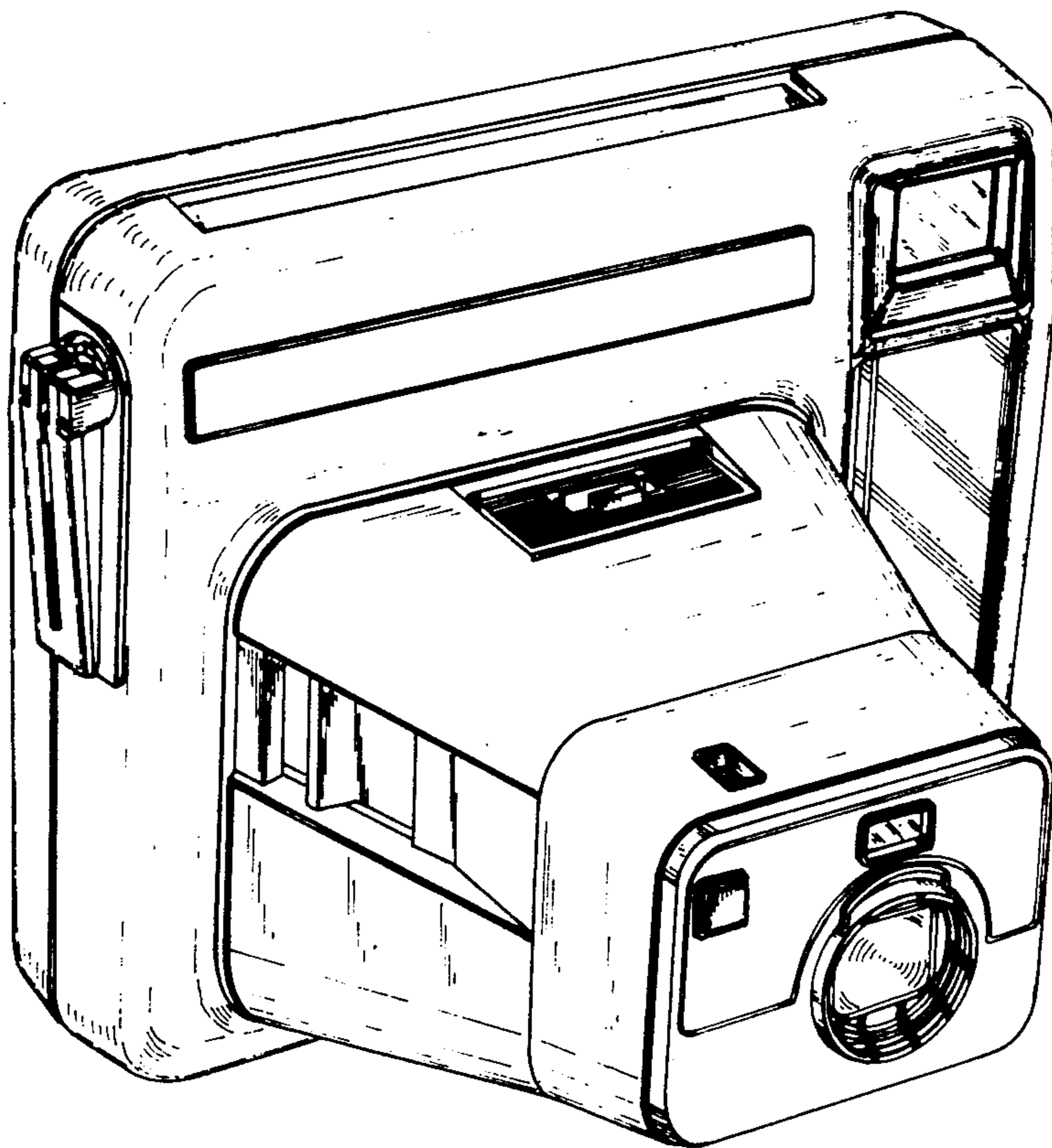
FIG. 2 is a rear elevational view thereof;

FIG. 3 is a bottom plan view thereof;

FIG. 4 is a left-side elevational view thereof;

FIG. 5 is a right-side elevational view thereof but showing its hand crank in an unfolded position extending from the right side of said camera or similar article; and

FIG. 6 is a front elevational view thereof with its hand crank in the unfolded position thereof shown in FIG. 5.



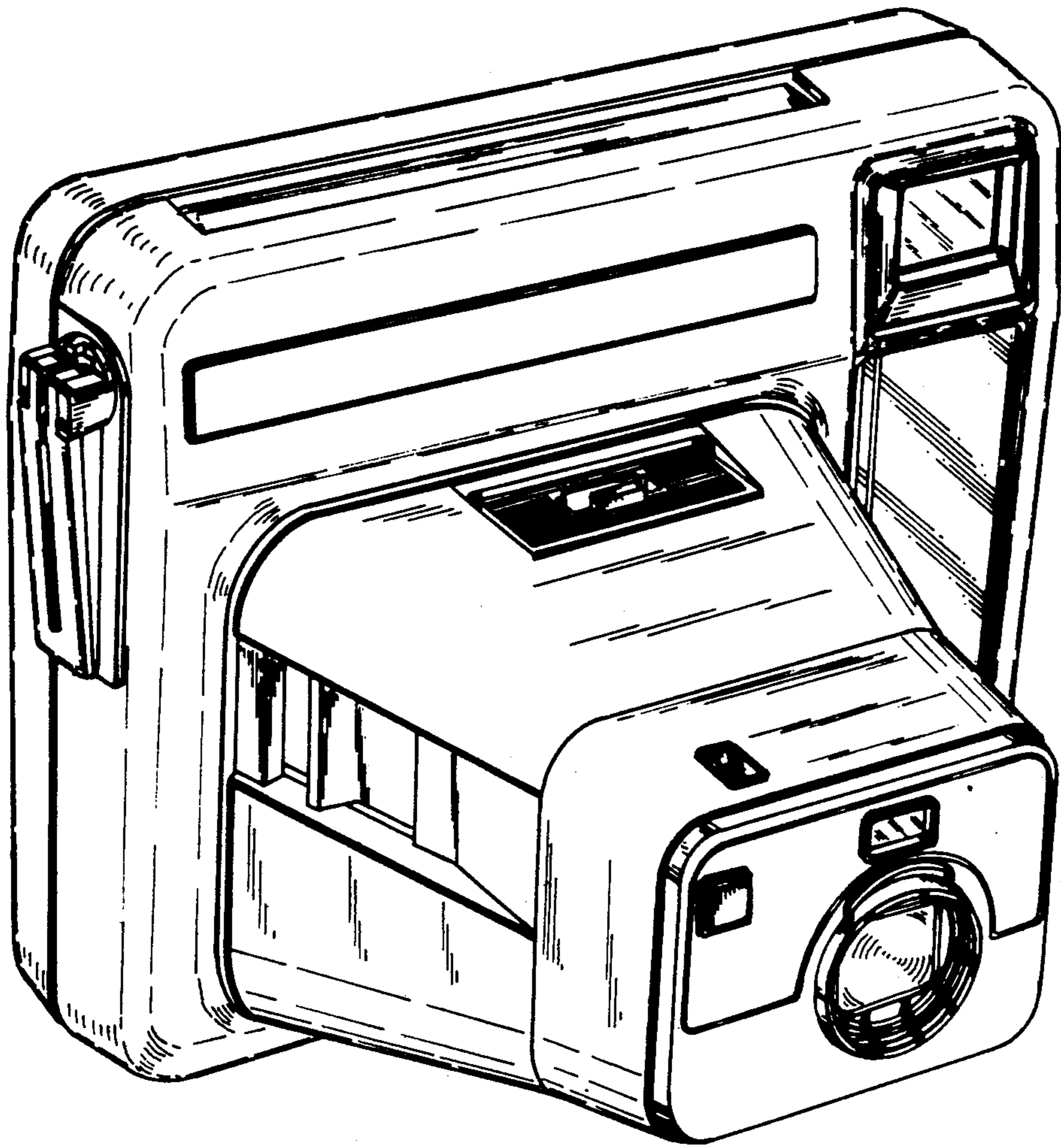


FIG. 1

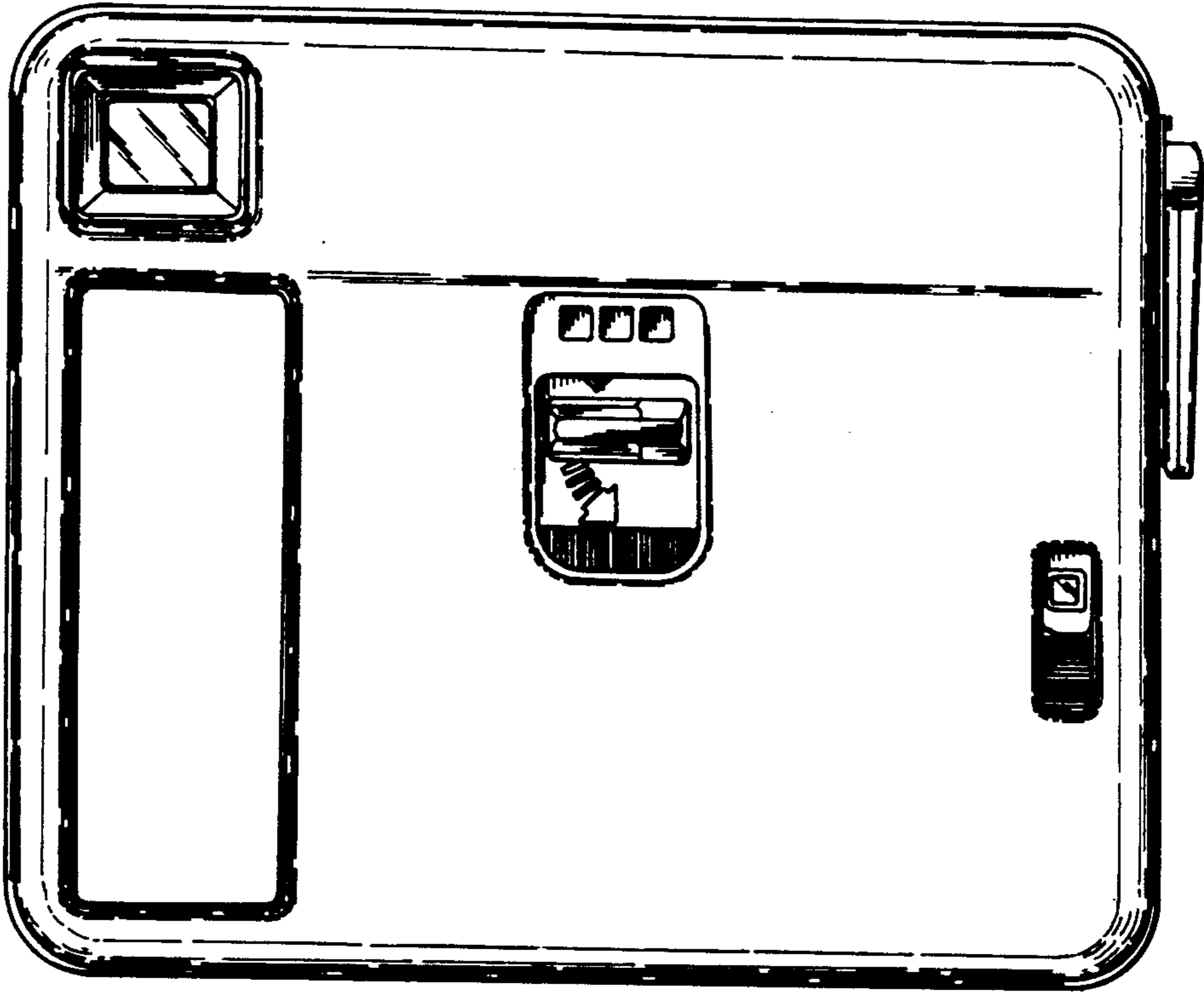
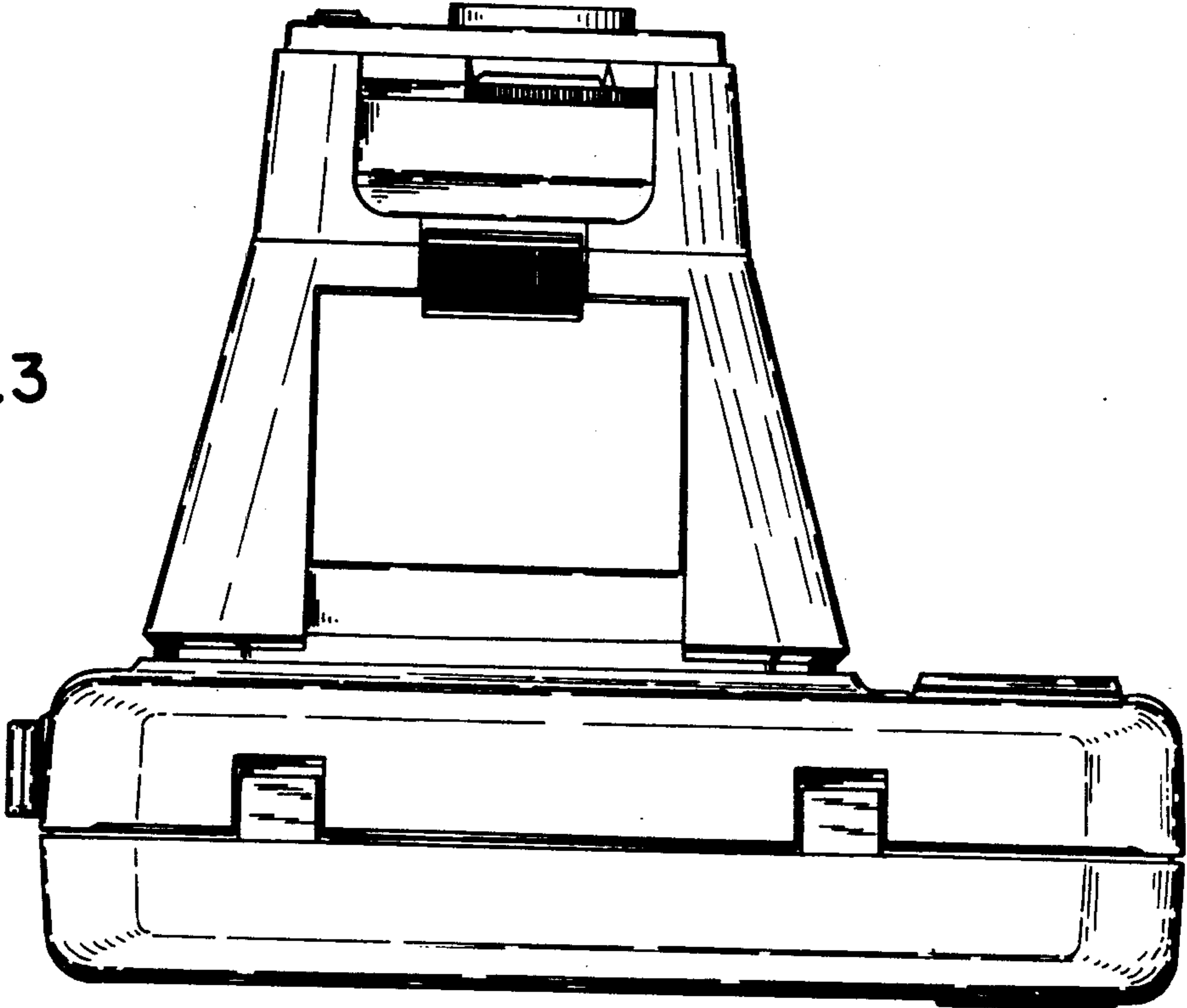


FIG. 2

FIG. 3



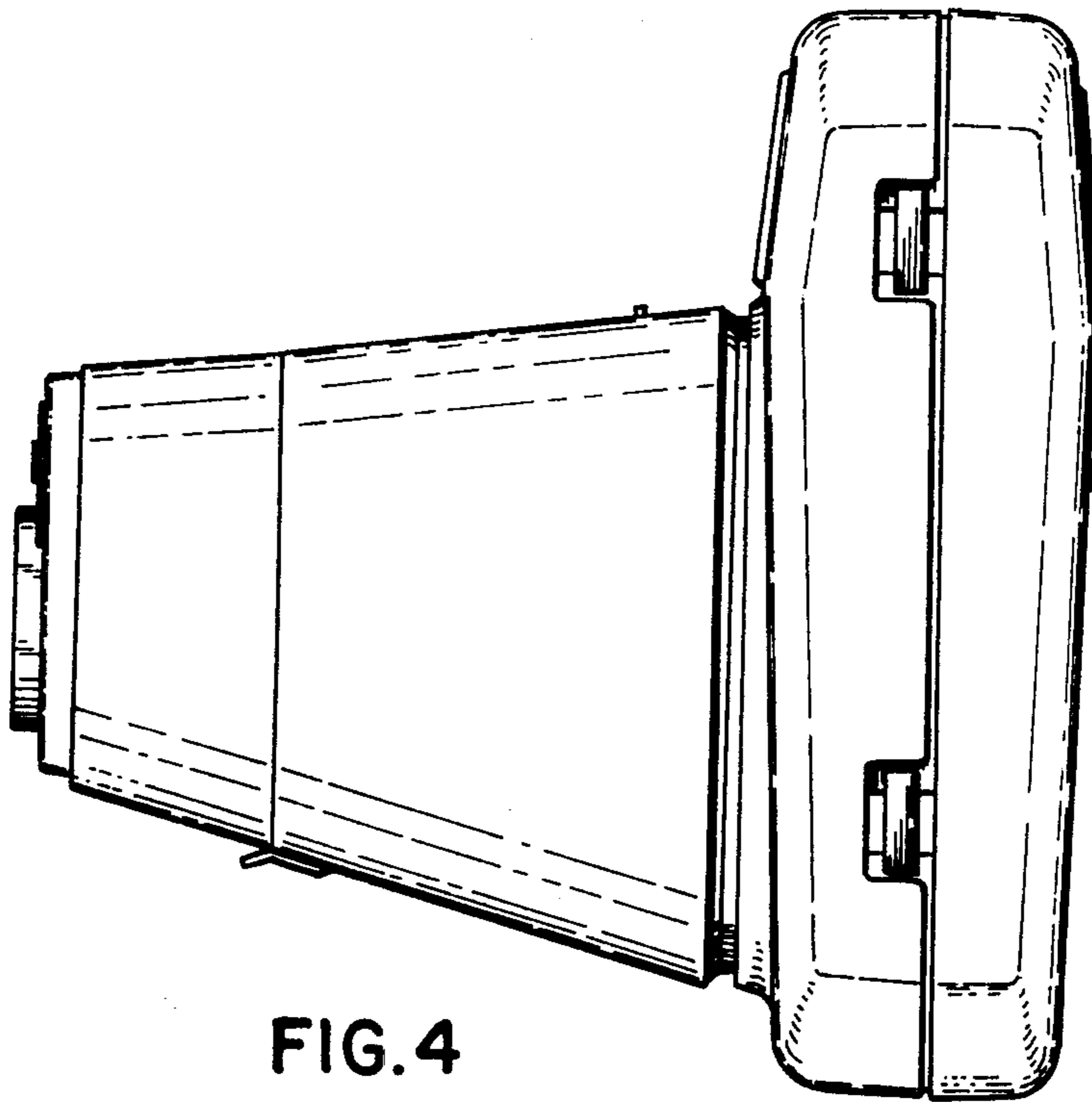


FIG. 4

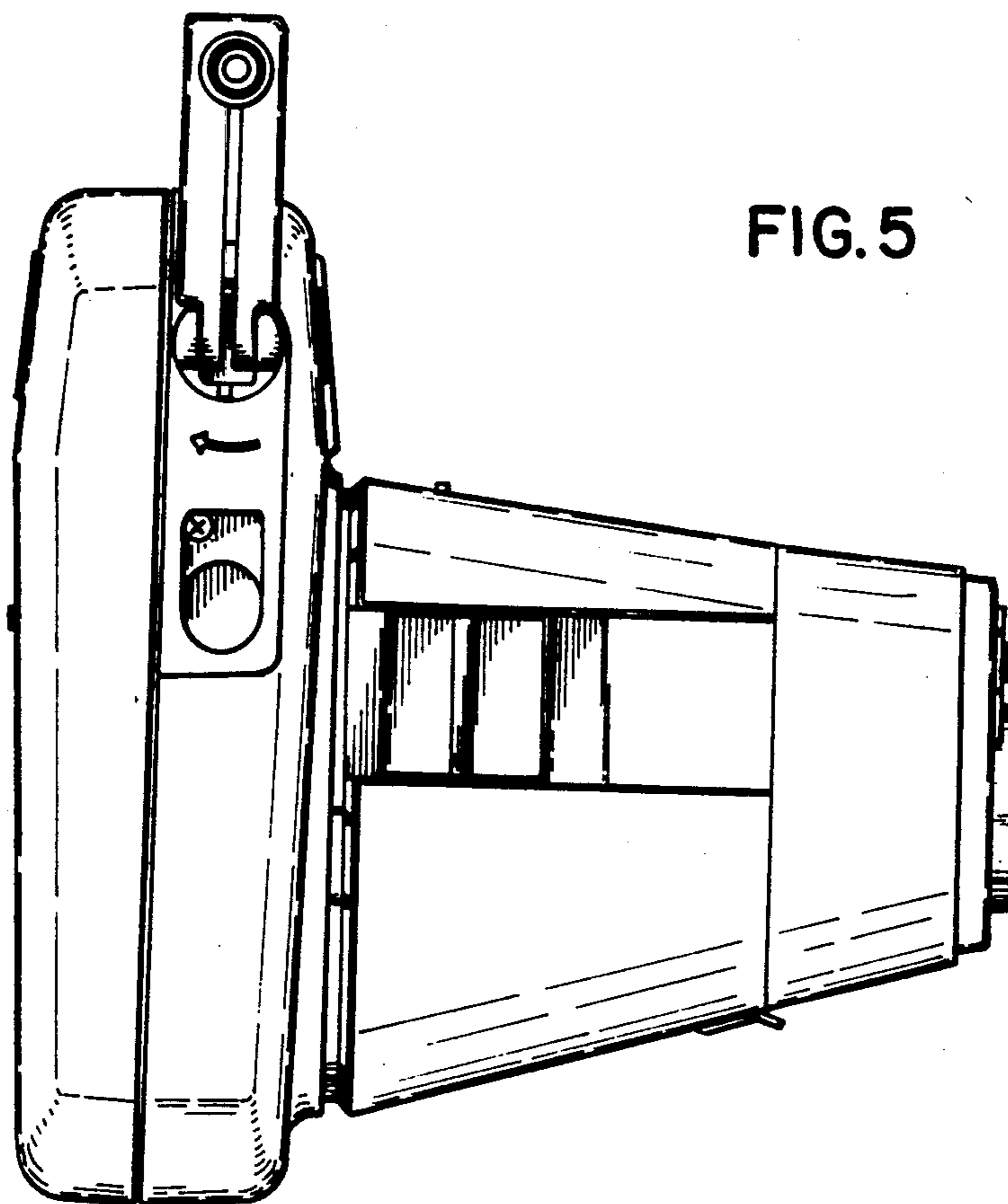


FIG. 5

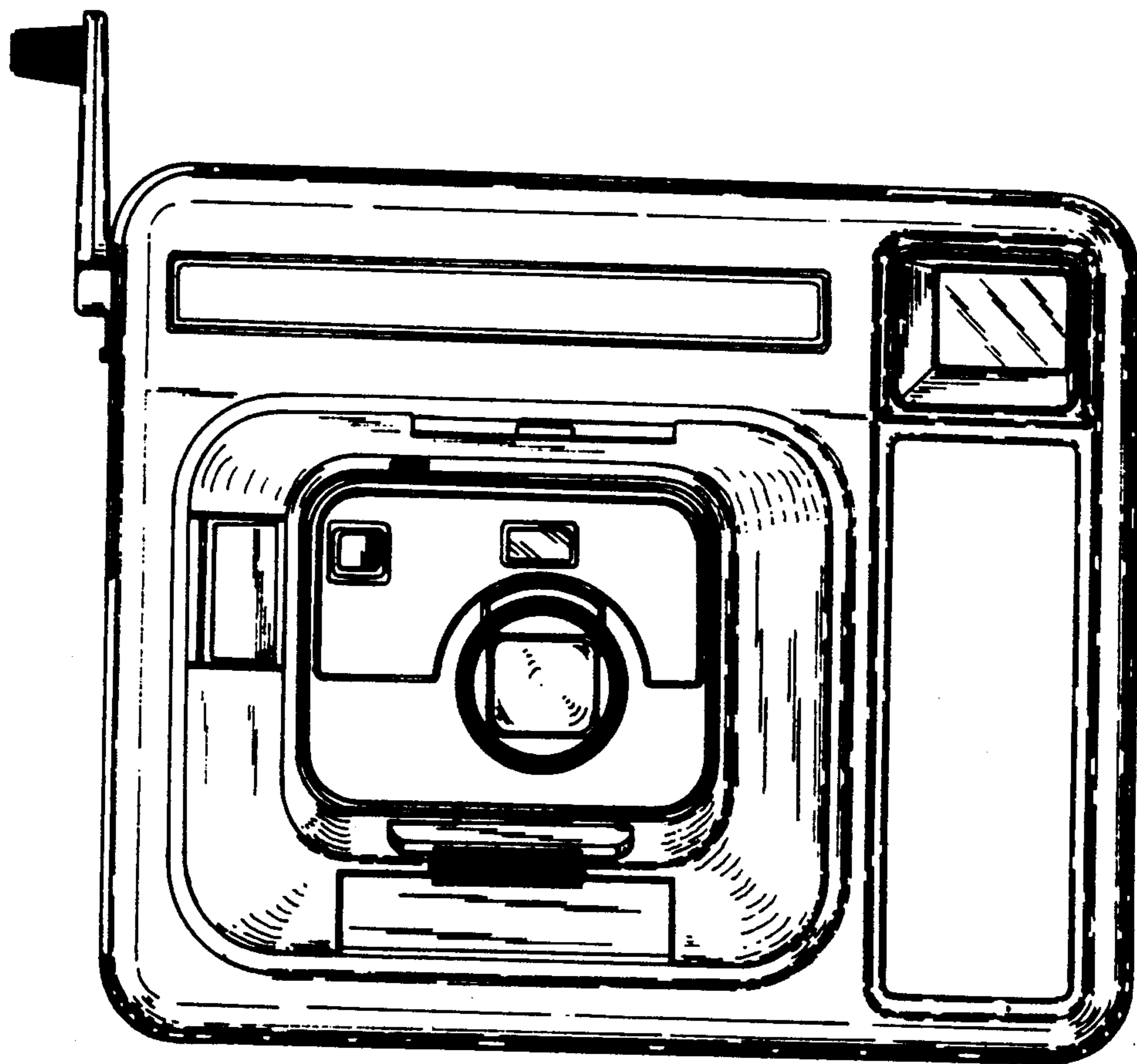


FIG. 6