

[54] CHAIN GUARD FOR AN IRRIGATION IMPLEMENT

[75] Inventor: Bobbie G. Palmer, Lubbock, Tex.

[73] Assignee: Perow Manufacturing Co., Inc.

[\*\*] Term: 14 Years

[21] Appl. No.: 794,754

[22] Filed: May 9, 1977

[51] Int. Cl. .... D15-03

[52] U.S. Cl. .... D15/28; D15/148

[58] Field of Search ..... D15/10, 13, 28, 138, D15/148, 199; 74/611, 608; 239/212

[56] References Cited

U.S. PATENT DOCUMENTS

D. 225,684	12/1972	Bogan .....	D15/148
3,425,629	2/1969	Bobard .....	239/212
4,016,902	4/1977	Vollmer .....	239/212

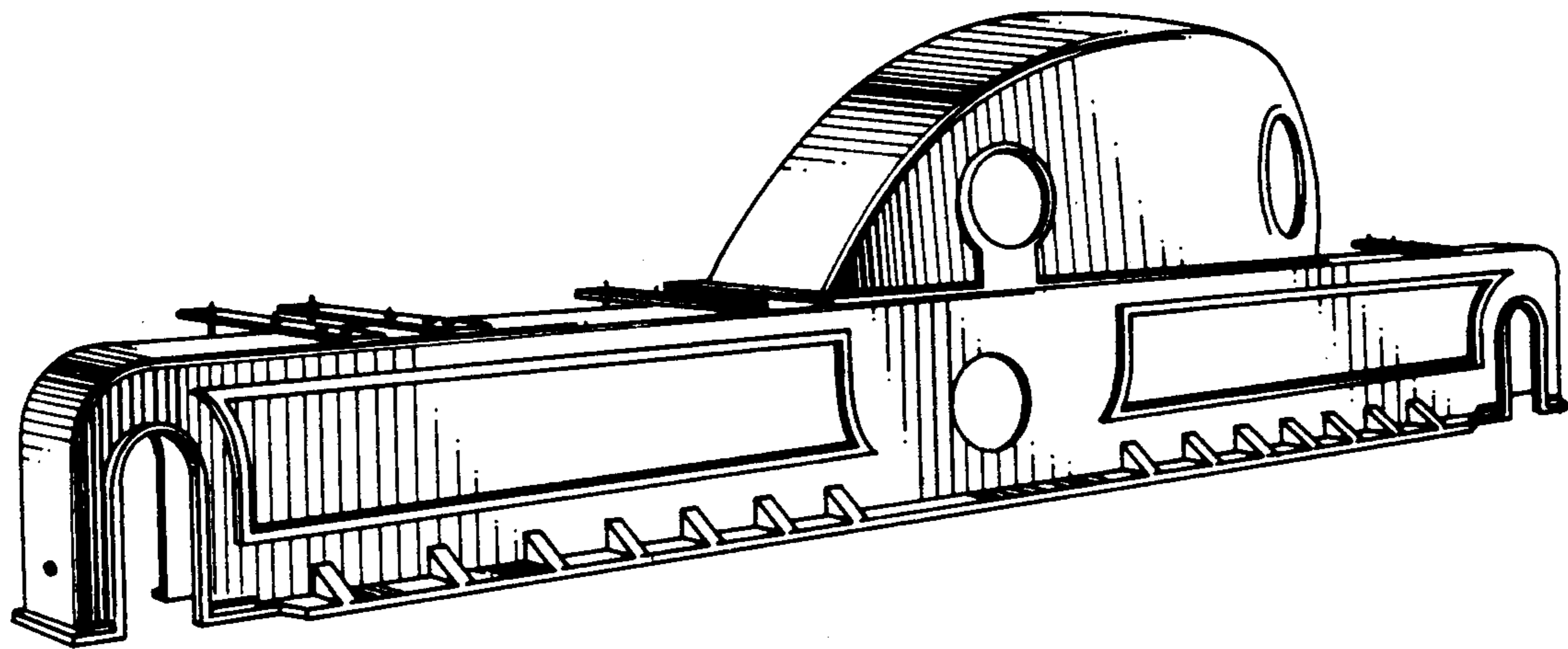
Primary Examiner—James M. Gandy  
Attorney, Agent, or Firm—Charles W. Coffee

[57] CLAIM

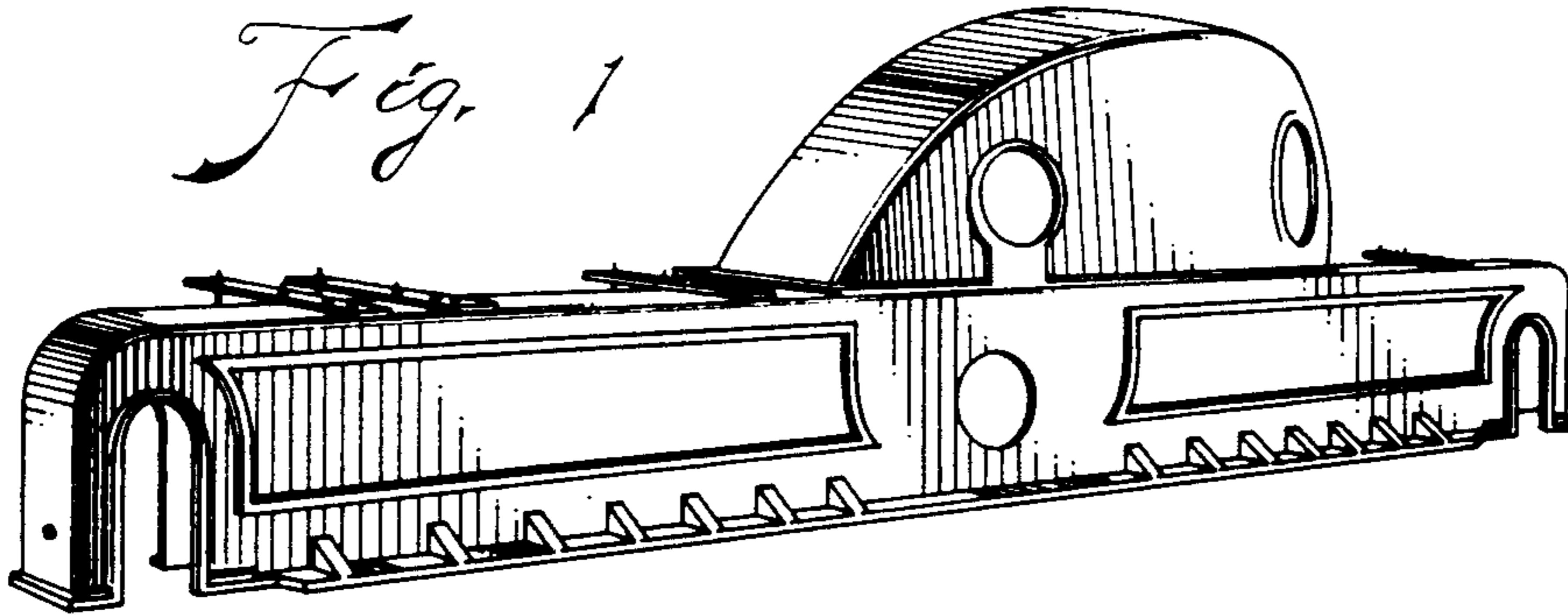
The ornamental design for a chain guard for an irrigation implement, as shown.

DESCRIPTION

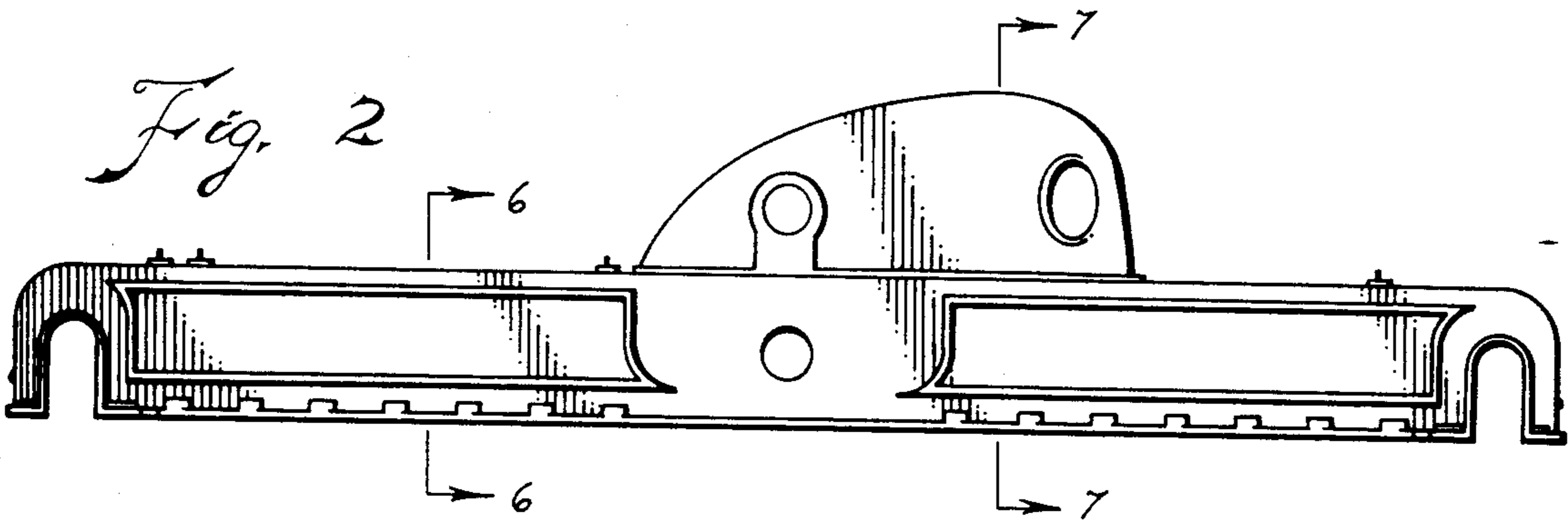
FIG. 1 is a perspective view of a chain guard for an irrigation implement showing my new design; FIG. 2 is a right side elevational view thereof; FIG. 3 is a left side elevational view thereof; FIG. 4 is a top plan view thereof, FIG. 5 is a greatly enlarged rear elevational view thereof, the front being substantially a mirror image of the rear shown herein; FIG. 6 is a greatly enlarged sectional view thereof taken substantially on line 6-6 of FIG. 2; and FIG. 7 is a greatly enlarged sectional view thereof taken substantially on line 7-7 of FIG. 2.



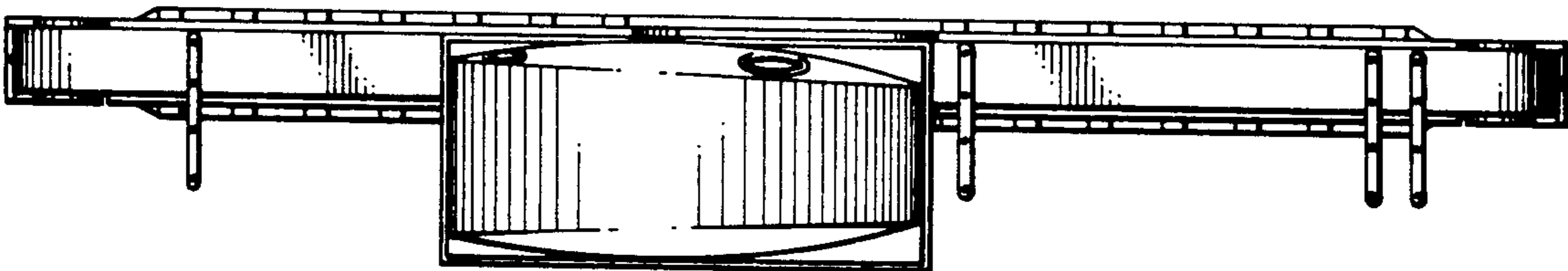
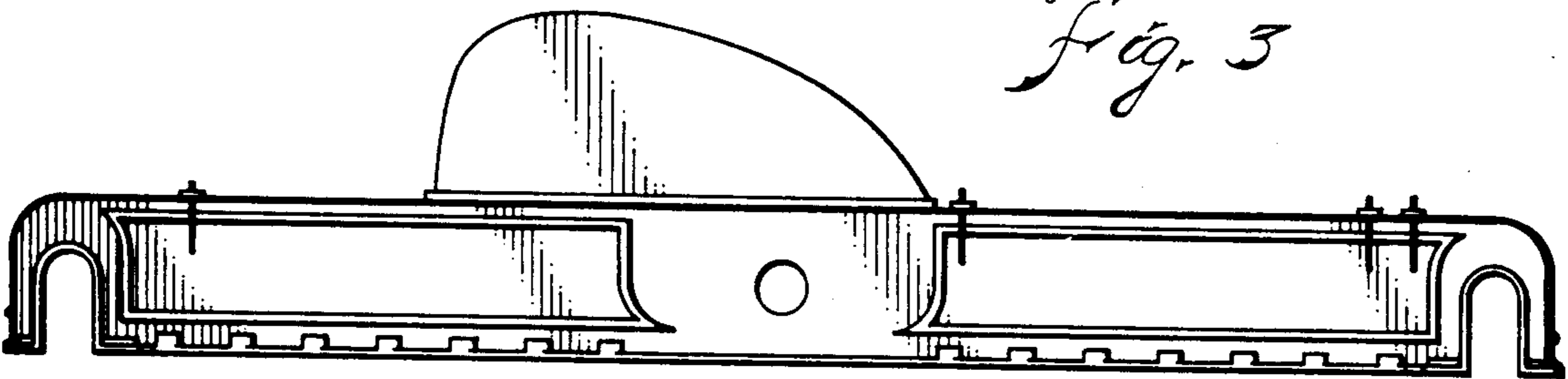
*Fig. 1*



*Fig. 2*



*Fig. 3*



*Fig. 4*

