

[54] LIQUID RESERVOIR PRIMARILY FOR USE IN A VEHICLE BRAKING SYSTEM

[75] Inventor: John F. Pickering, Solihull, England

[73] Assignee: Girling Limited, Birmingham, England

[\*\*] Term: 14 Years

[21] Appl. No.: 760,545

[22] Filed: Jan. 19, 1977

[51] Int. Cl. .... D12-16

[52] U.S. Cl. .... D12/155

[58] Field of Search ..... D12/155; D9/175; 220/1 R, 1 V, 1 B

[56] References Cited

U.S. PATENT DOCUMENTS

D. 223,346 4/1972 Mackeen ..... D12/155

Primary Examiner—Wallace R. Burke  
Assistant Examiner—James M. Gandy  
Attorney, Agent, or Firm—Scrivener, Parker, Scrivener & Clarke

[57] CLAIM

The ornamental design for a liquid reservoir primarily for use in a vehicle braking system, as shown.

DESCRIPTION

FIG. 1 is a top plan view of a liquid reservoir primarily for use in a vehicle braking system showing my new design,

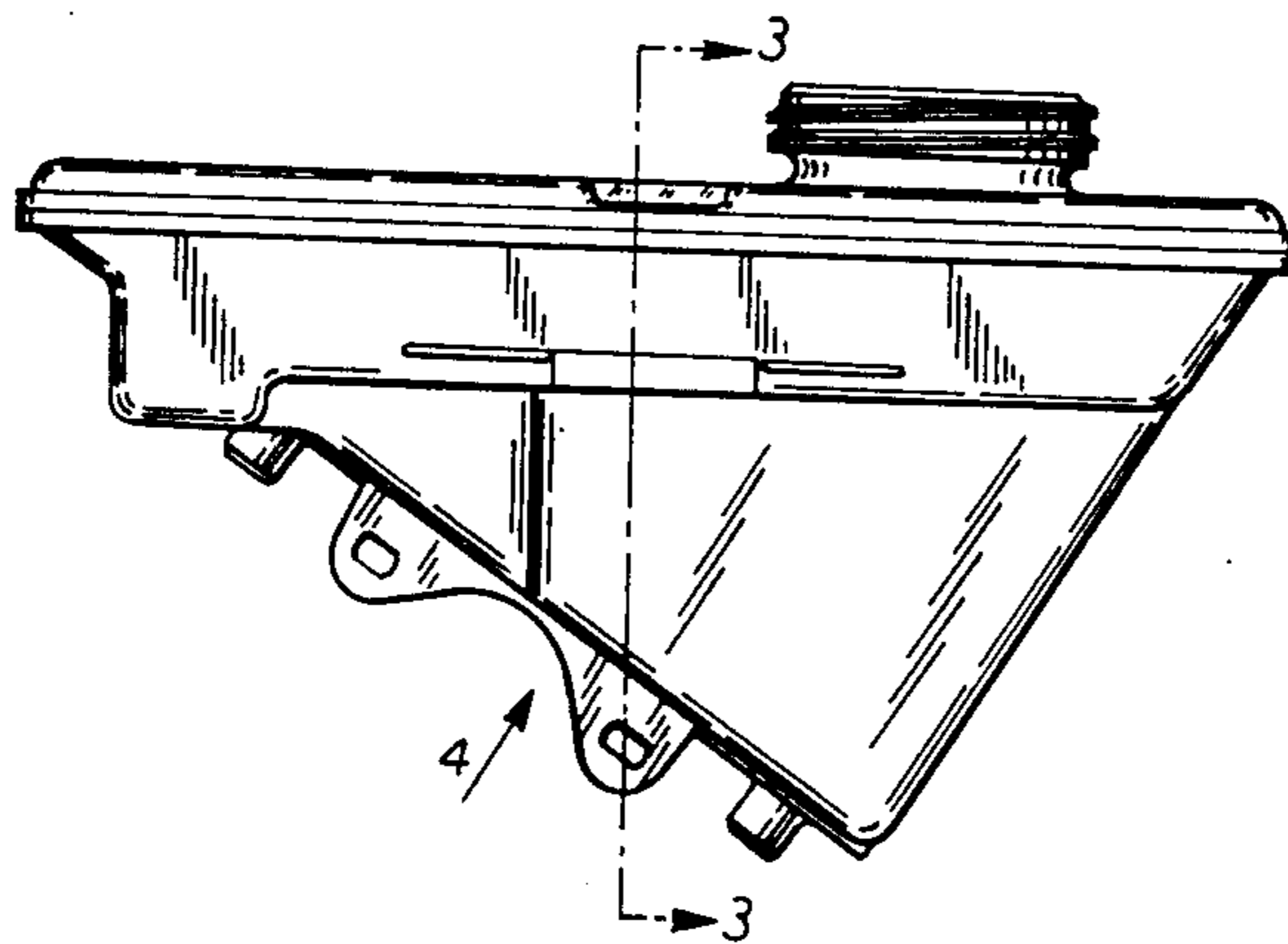
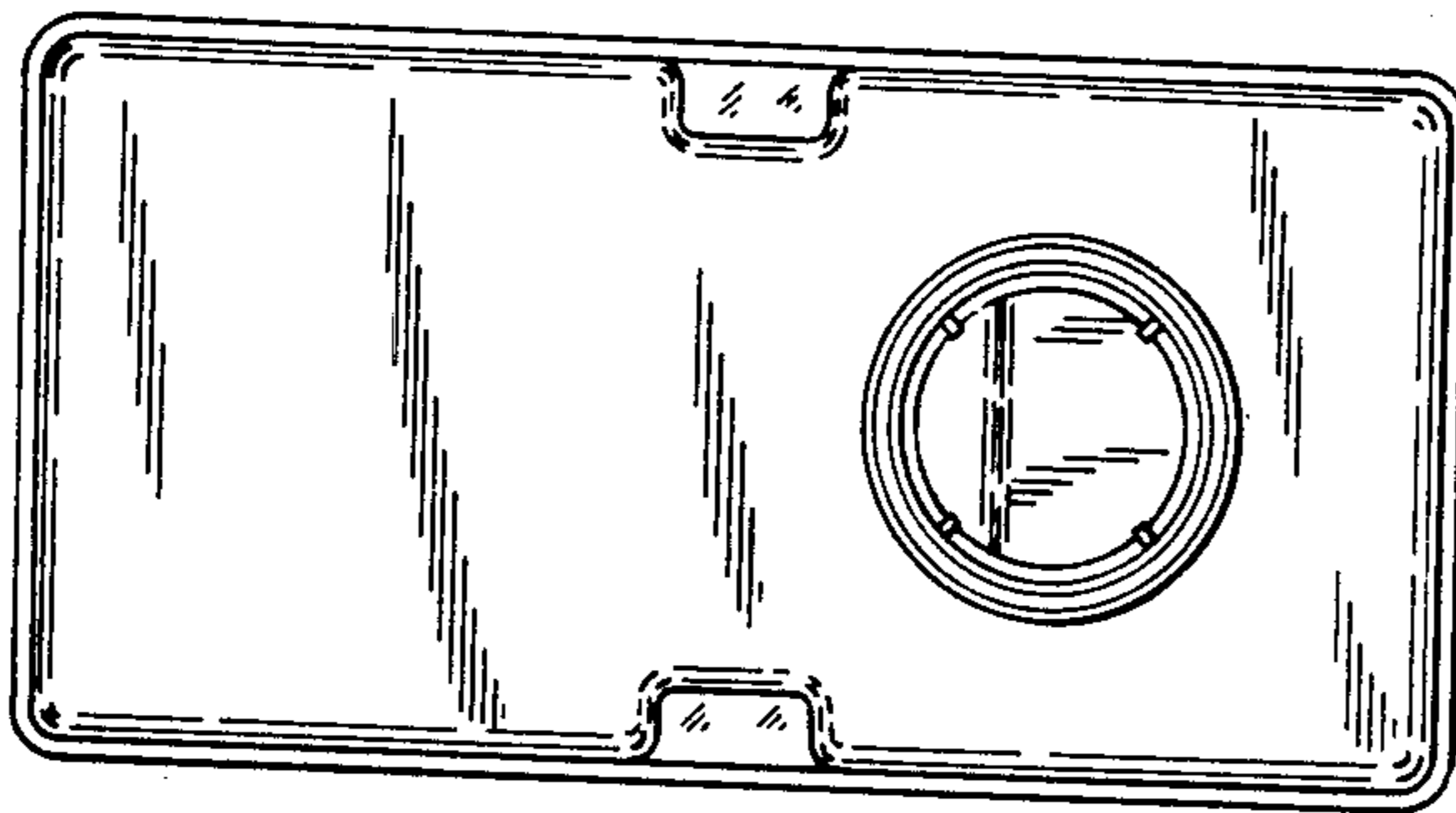
FIG. 2 is a side elevational view thereof;

FIG. 3 is a cross sectional view thereof taken along line 3-3 in FIG. 2;

FIG. 4 is a bottom plan view thereof looking in the direction of arrow 4 in FIG. 3;

FIG. 5 is an end elevational view thereof; and

FIG. 6 is an end elevational view thereof opposite to that shown in FIG. 5.



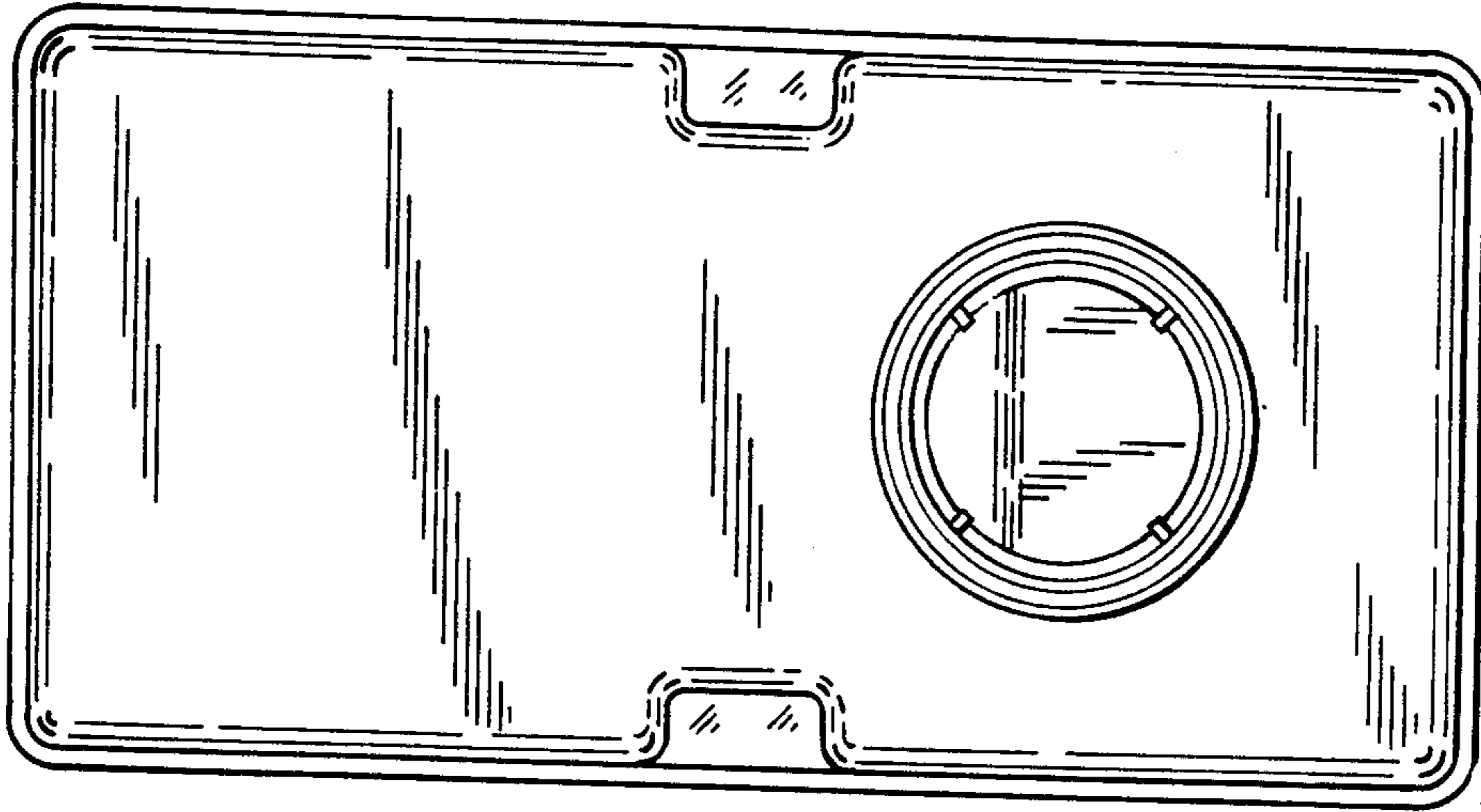


FIG. 1.

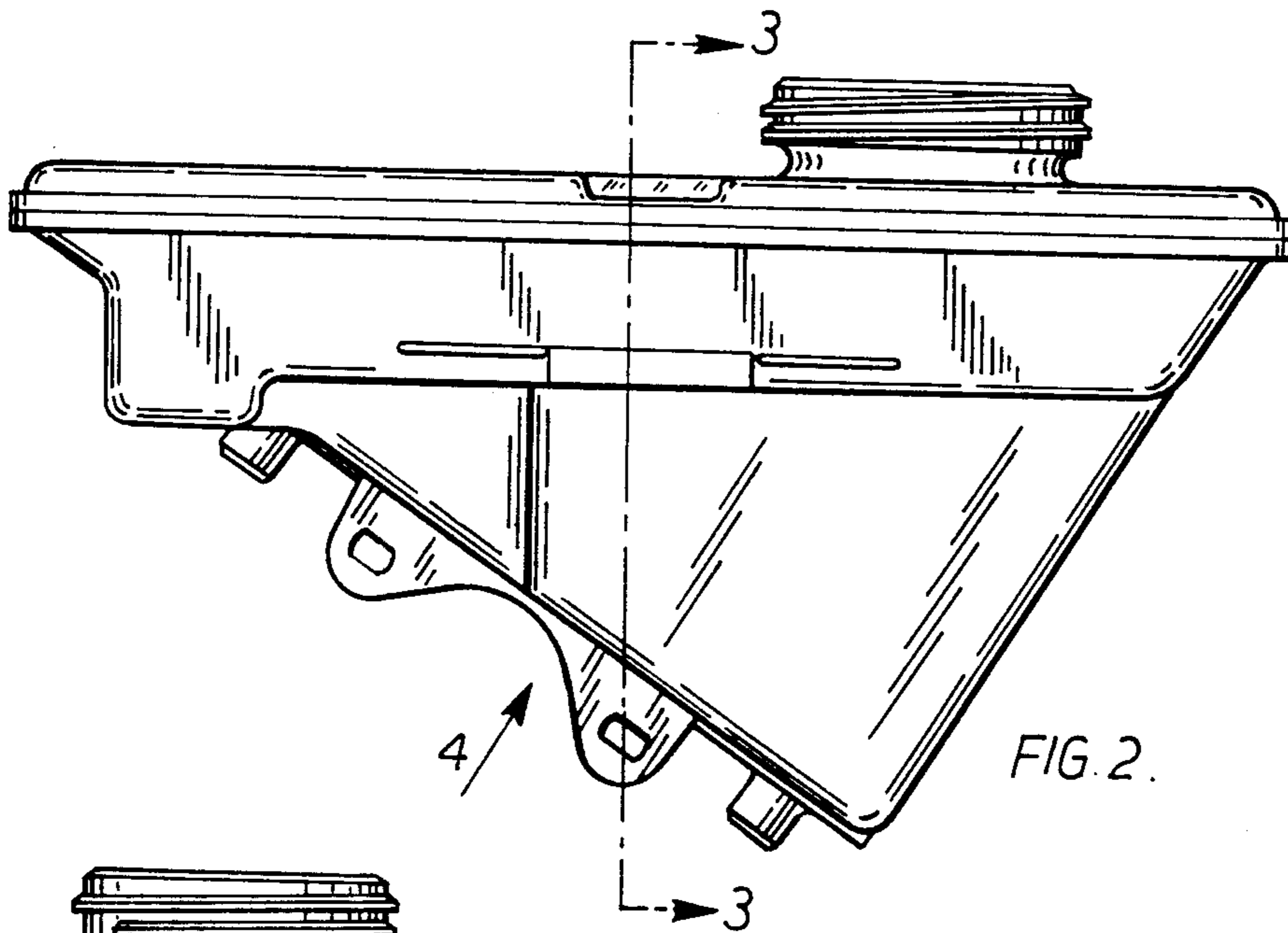


FIG. 2.

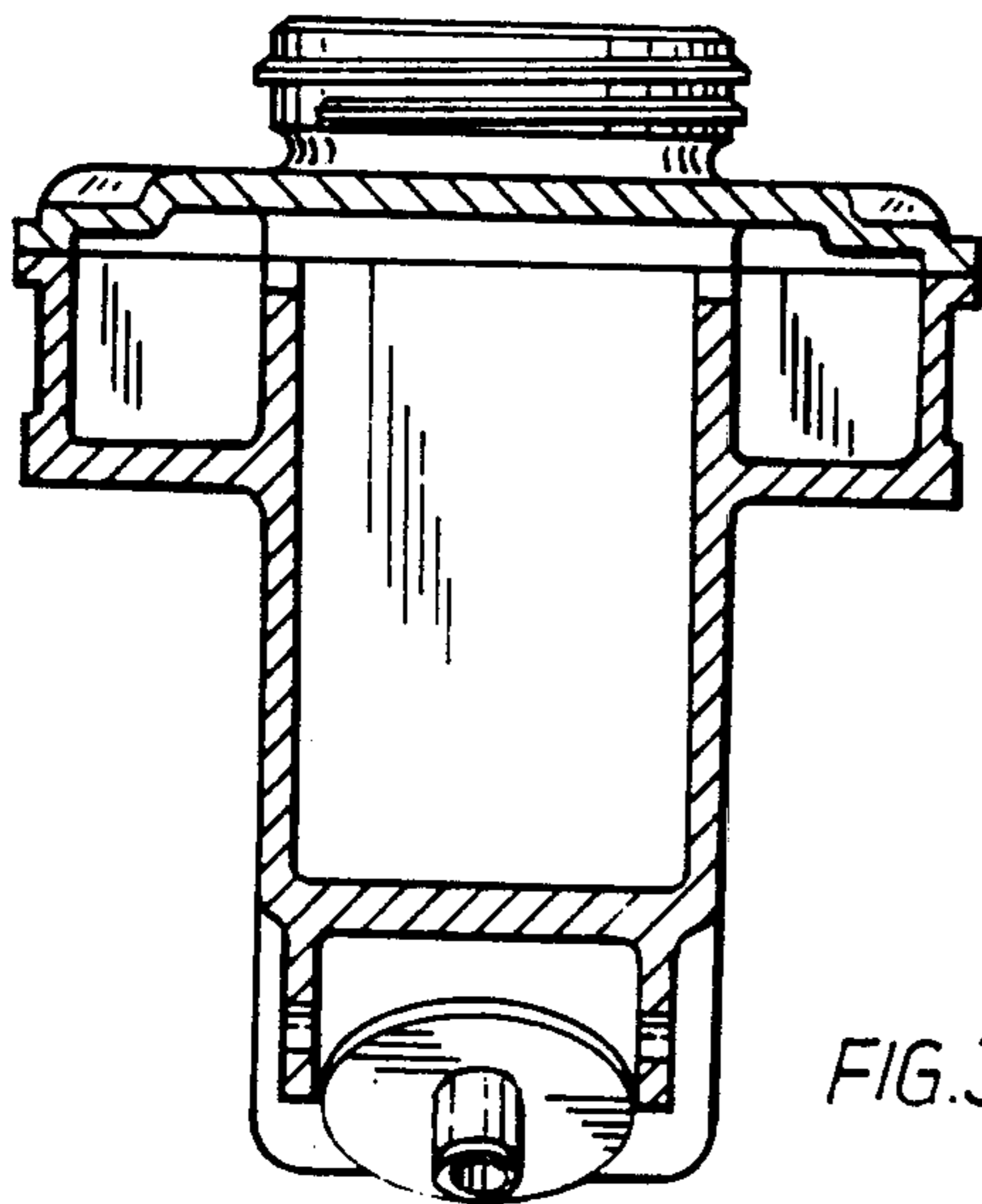


FIG. 3.

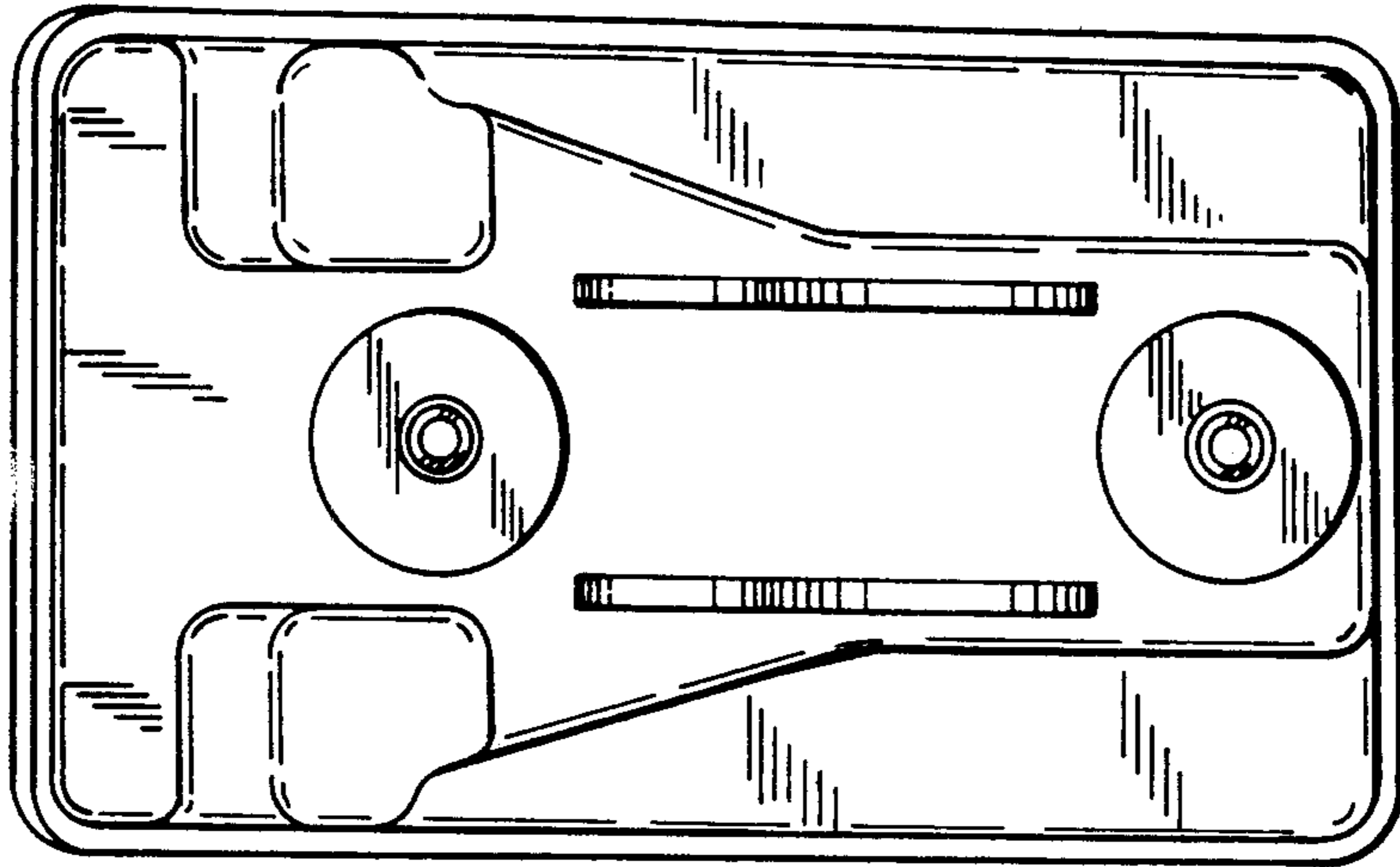


FIG. 4.

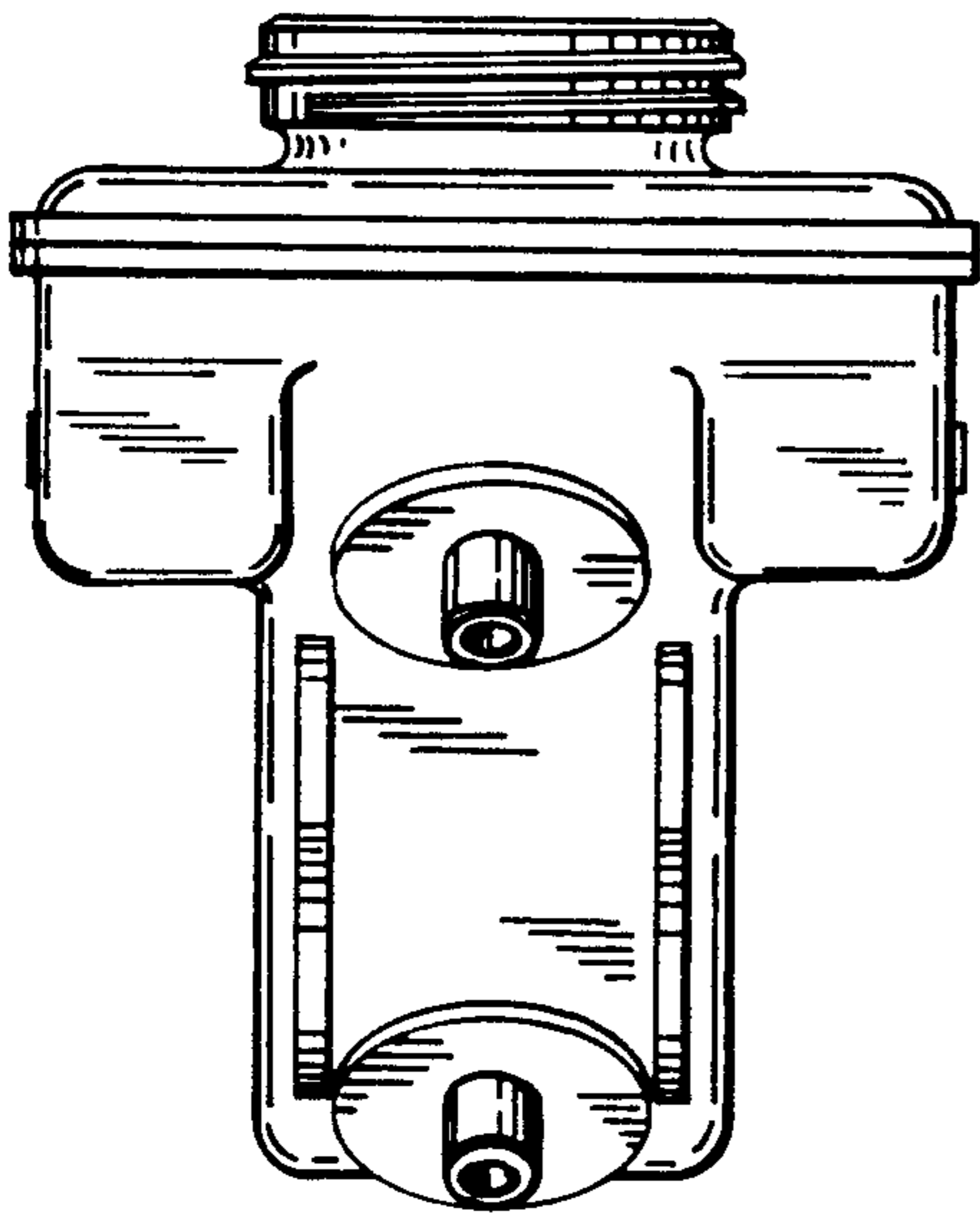


FIG. 5.

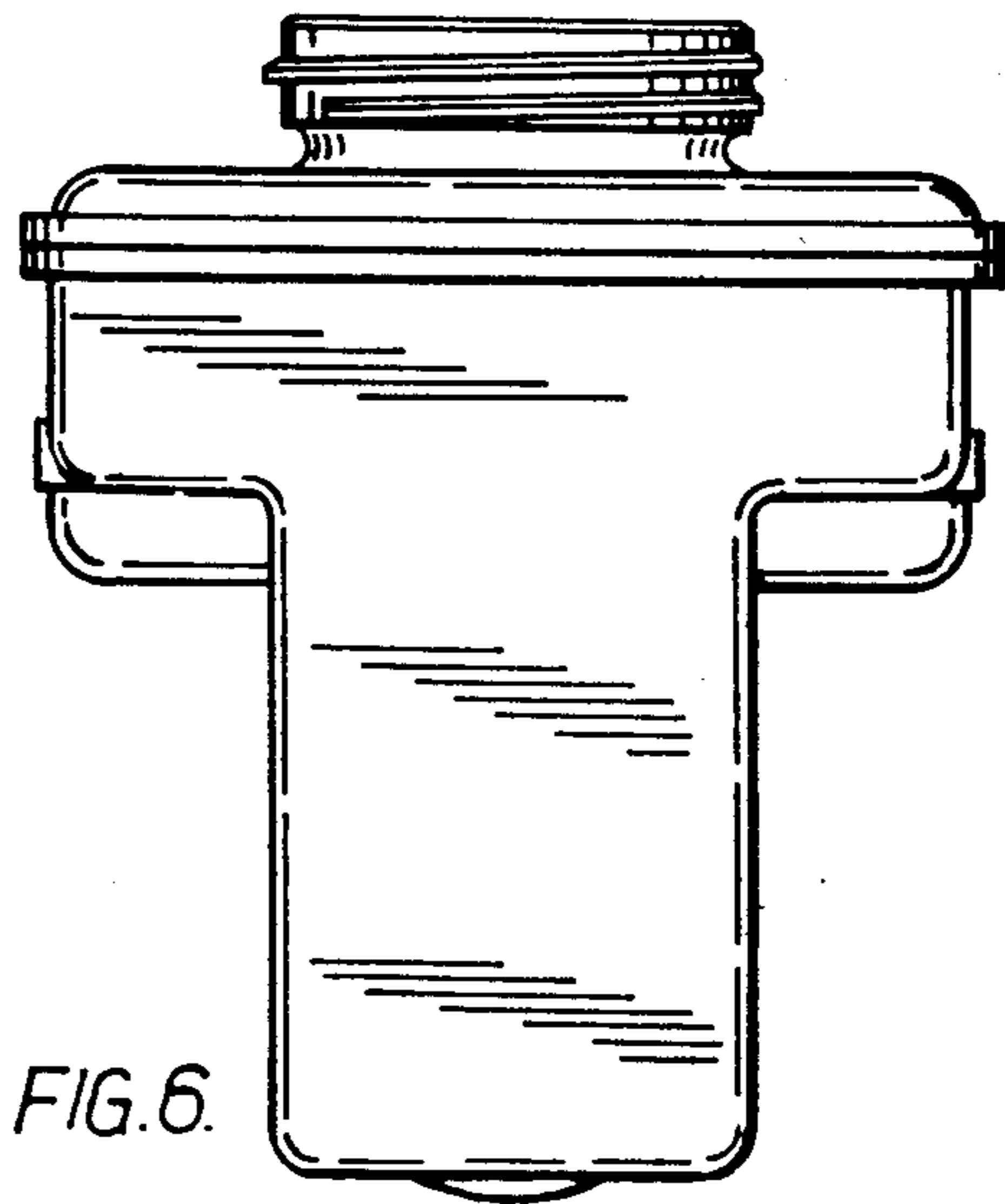


FIG. 6.