

[54] PNEUMATIC TIRE TREAD AND BUTTRESS

[75] Inventor: Dionysius J. Poque, Aachen, Fed. Rep. of Germany

[73] Assignee: Uniroyal Aktiengesellschaft, Fed. Rep. of Germany

[\*\*] Term: 14 Years

[21] Appl. No.: 787,740

[22] Filed: Apr. 15, 1977

[30] Foreign Application Priority Data

Nov. 30, 1976 [DE] Fed. Rep. of Germany ..... 3156

[51] Int. Cl. .... D12-15

[52] U.S. Cl. .... D12/146

[58] Field of Search ..... D12/141-143, D12/145-151; 152/209

[56] References Cited

U.S. PATENT DOCUMENTS

3,645,314 2/1972 Verdier ..... 152/209

FOREIGN PATENT DOCUMENTS

186798 6/1954 Sweden ..... 152/209 R

OTHER PUBLICATIONS

1971 Tread Design Guide, p. 175, Phillips 66 Super XT Heavy Duty Tire, center of page.

1970 Tread Design Guide, p. 114, CB1 Traction Tire, center right side of page.

1970 Tread Design Guide, p. 185, Continental Titan Light Tire, top left side of page.

Primary Examiner—James M. Gandy

Attorney, Agent, or Firm—Charles A. Blank

[57] CLAIM

The ornamental design for a pneumatic tire tread and buttress, substantially as shown and described.

DESCRIPTION

FIG. 1 is a perspective view, partly schematic, of a pneumatic tire tread and buttress embodying my new design, it being understood that the pattern is repeated throughout the circumference of the tread and buttress, as shown schematically by solid lines, and that the buttress pattern is repeated on the opposite side;

FIG. 2 is an enlarged, fragmentary developmental plan view of the tread and buttress of FIG. 1;

FIG. 3 is an enlarged sectional view of the tread and buttress, taken substantially as indicated by line 3-3 of FIG. 2;

FIG. 4 is an enlarged sectional view of the tread and buttress, taken substantially as indicated by line 4-4 of FIG. 2; and

FIG. 5 is an enlarged sectional view of the tread and buttress, taken substantially as indicated by line 5-5 of FIG. 2.

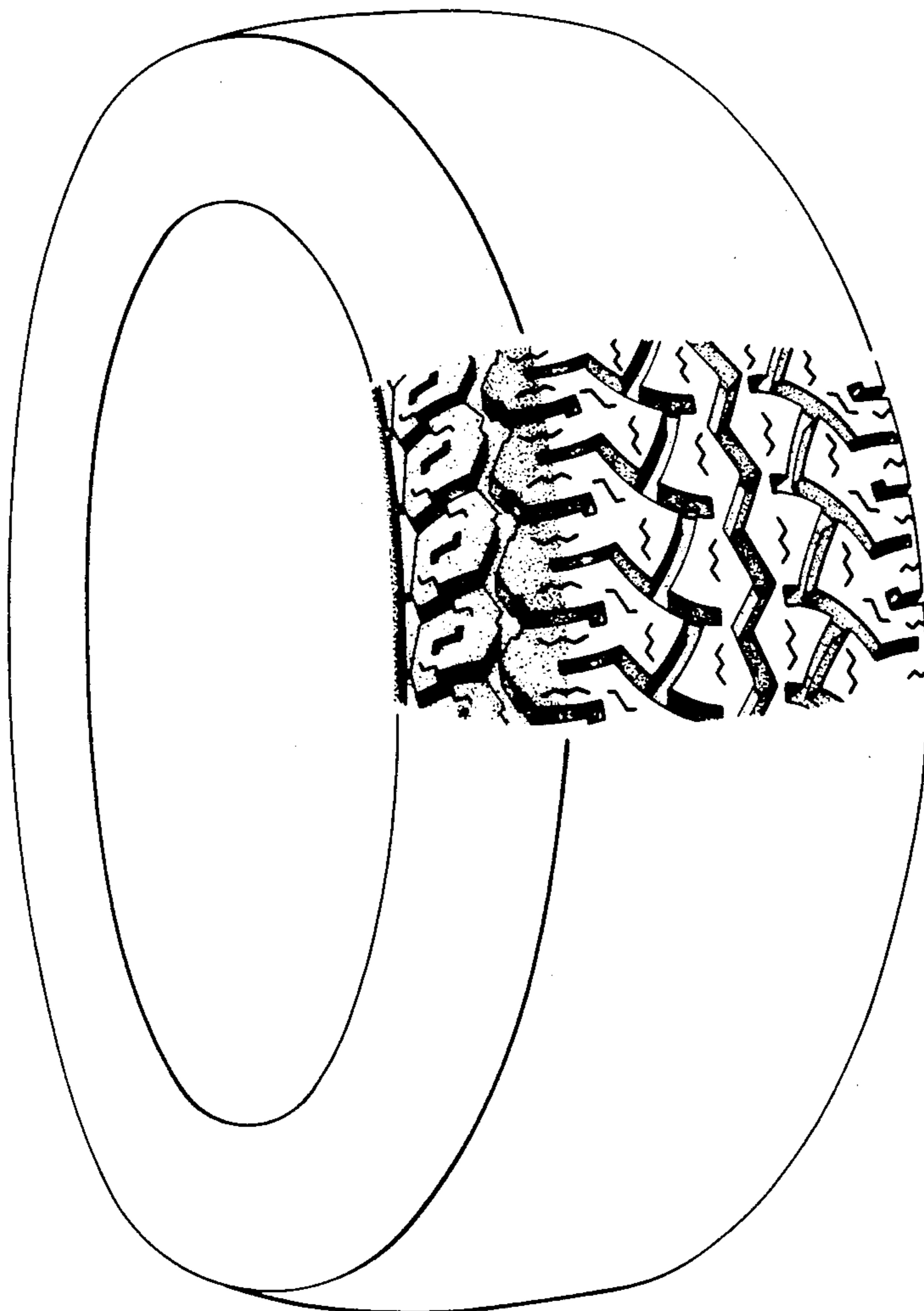
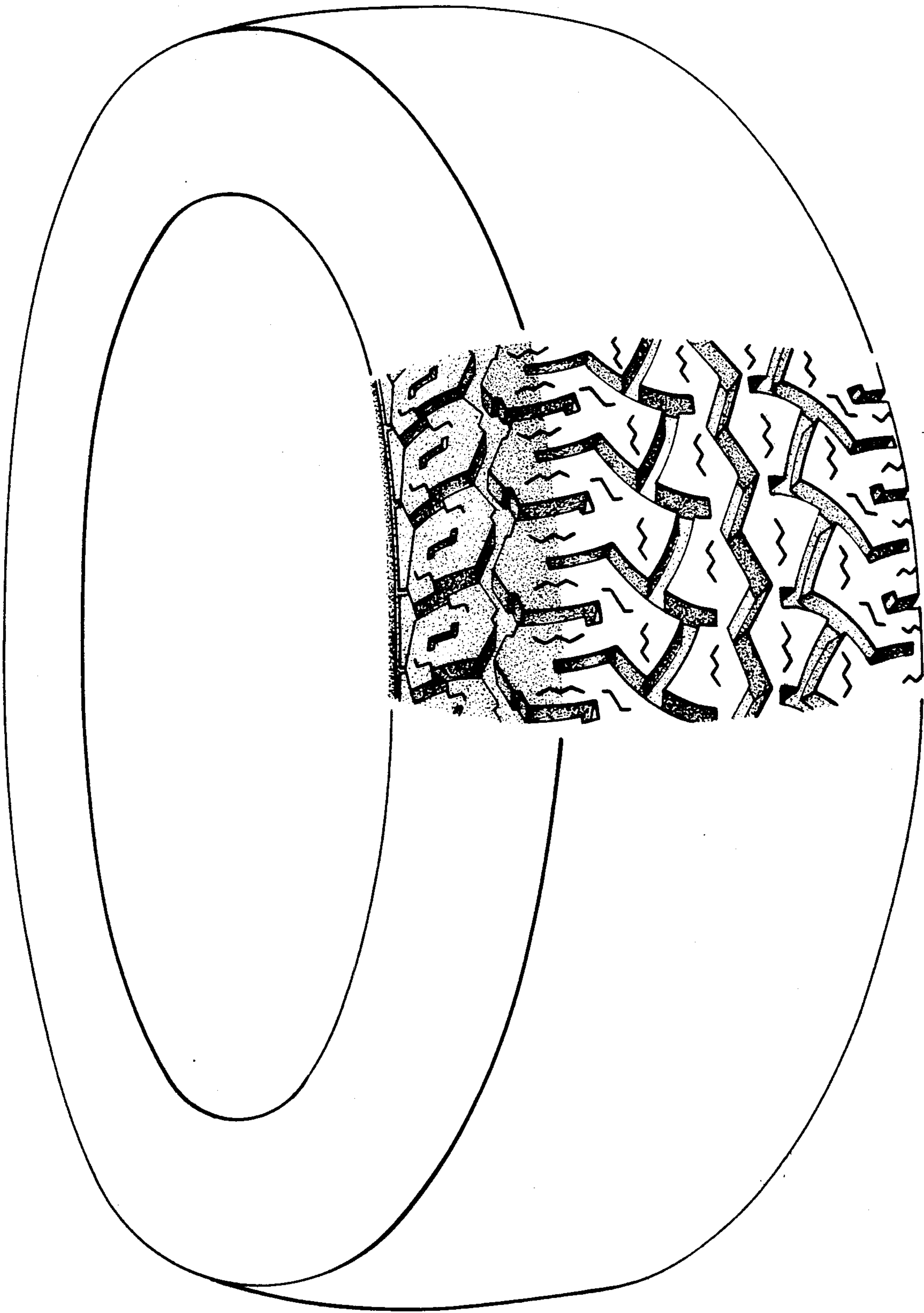


Fig. 1.





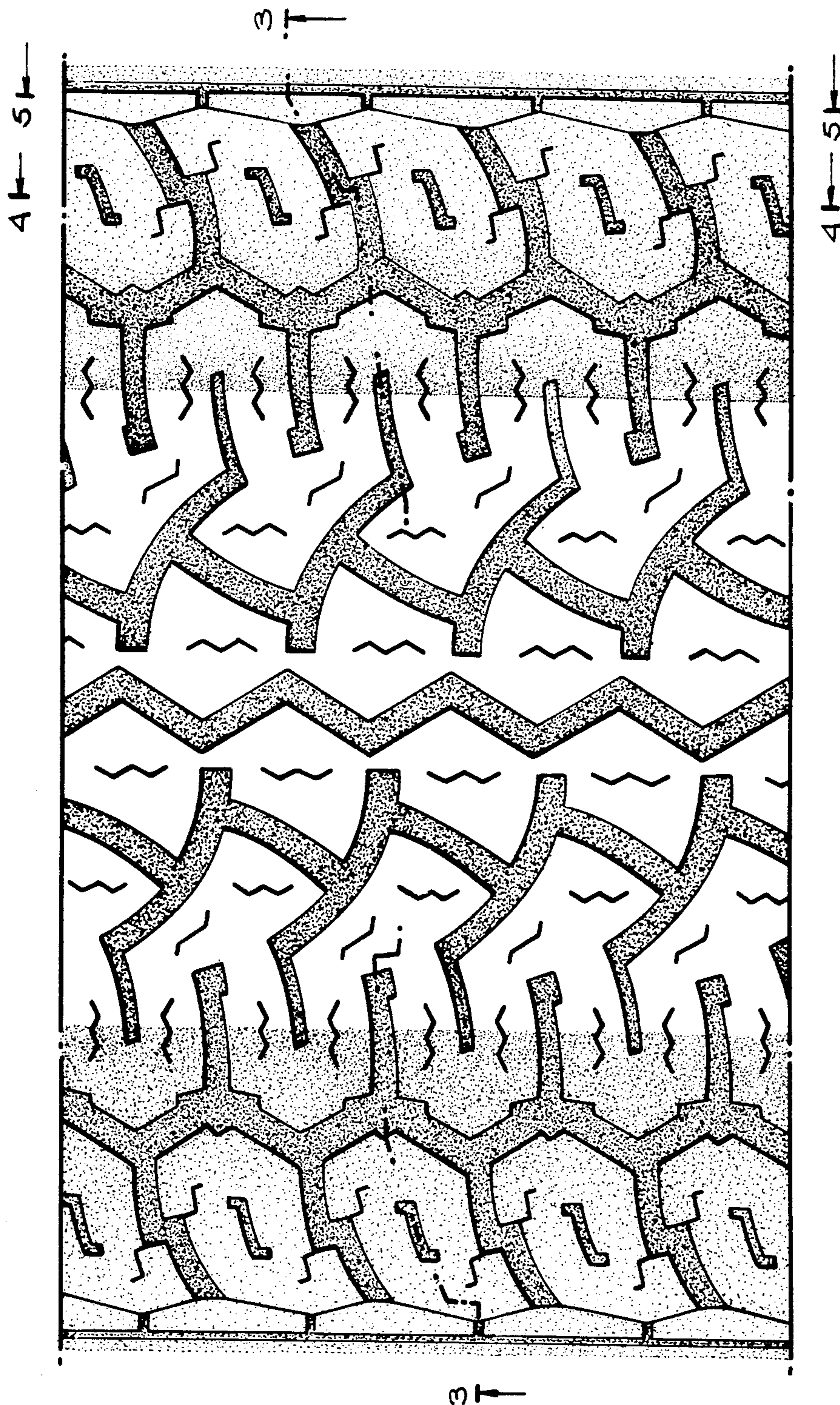


Fig. 2.

Fig. 3.

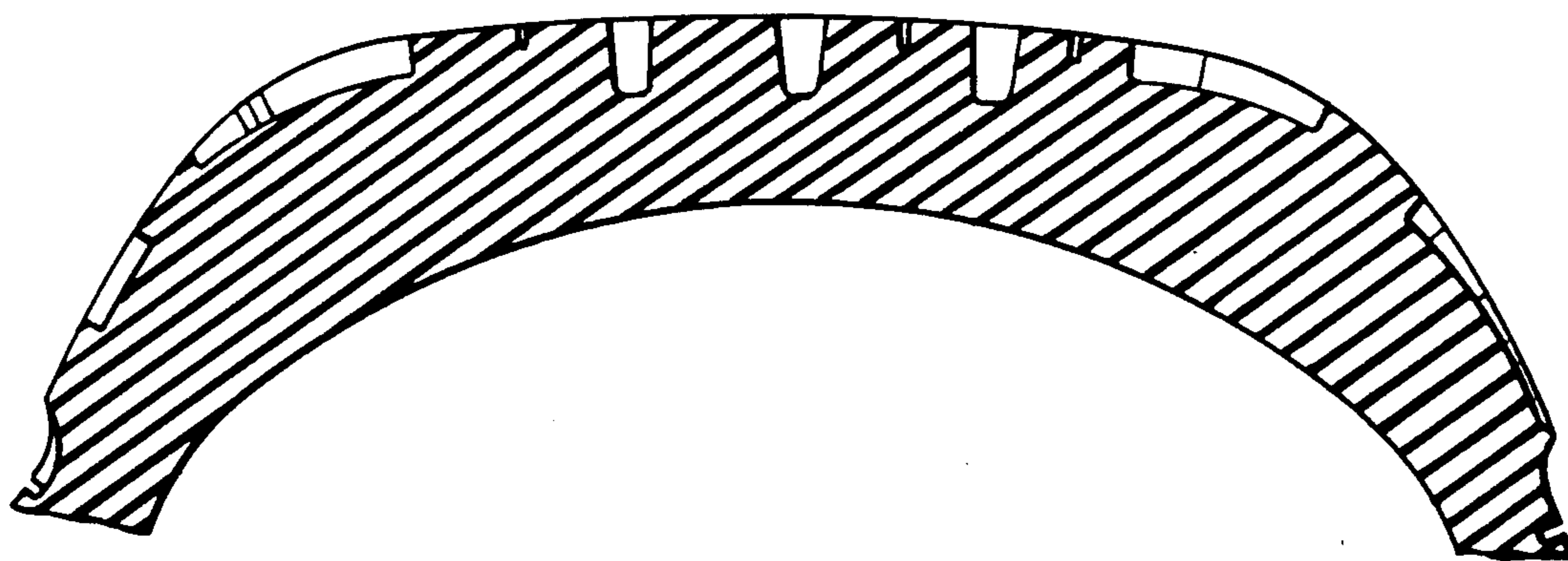


Fig. 4.

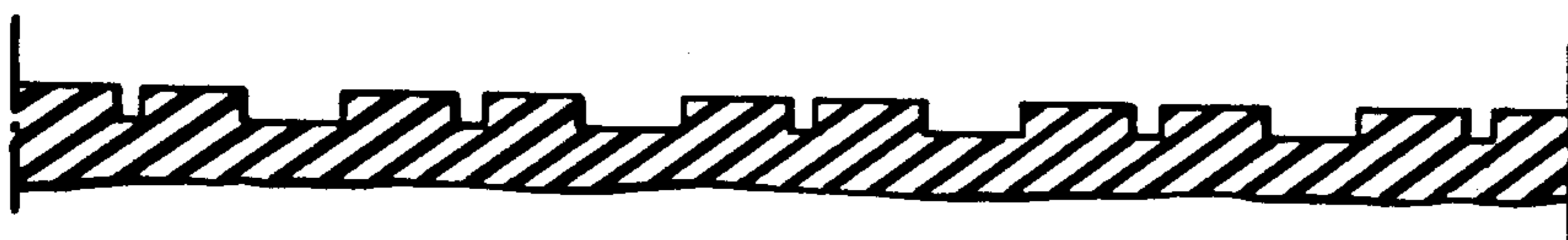


Fig. 5.

