

[54] TIRE

[75] Inventor: Bernard Germain,
Clermont-Ferrand, France

[73] Assignee: Compagnie Generale des
Etablissements Michelin,
Clermont-Ferrand, France

[**] Term: 14 Years

[21] Appl. No.: 803,397

[22] Filed: Jun. 3, 1977

[30] Foreign Application Priority Data

Dec. 17, 1976 [FR] France 76.522

[51] Int. Cl. D12-15

[52] U.S. Cl. D12/146

[58] Field of Search D12/136, 137, 141-144,
D12/146-151; 152/209 R, 209 A, 209 WT, 209
D

[56] References Cited

U.S. PATENT DOCUMENTS

D. 239,931 5/1976 Duncan D12/146
D. 245,837 9/1977 Arendt D12/151
D. 247,744 4/1978 Duchamp D12/137

OTHER PUBLICATIONS

Modern Tire Dealer, 9/75, p. 41, Tire No. 3, center
right side of page.

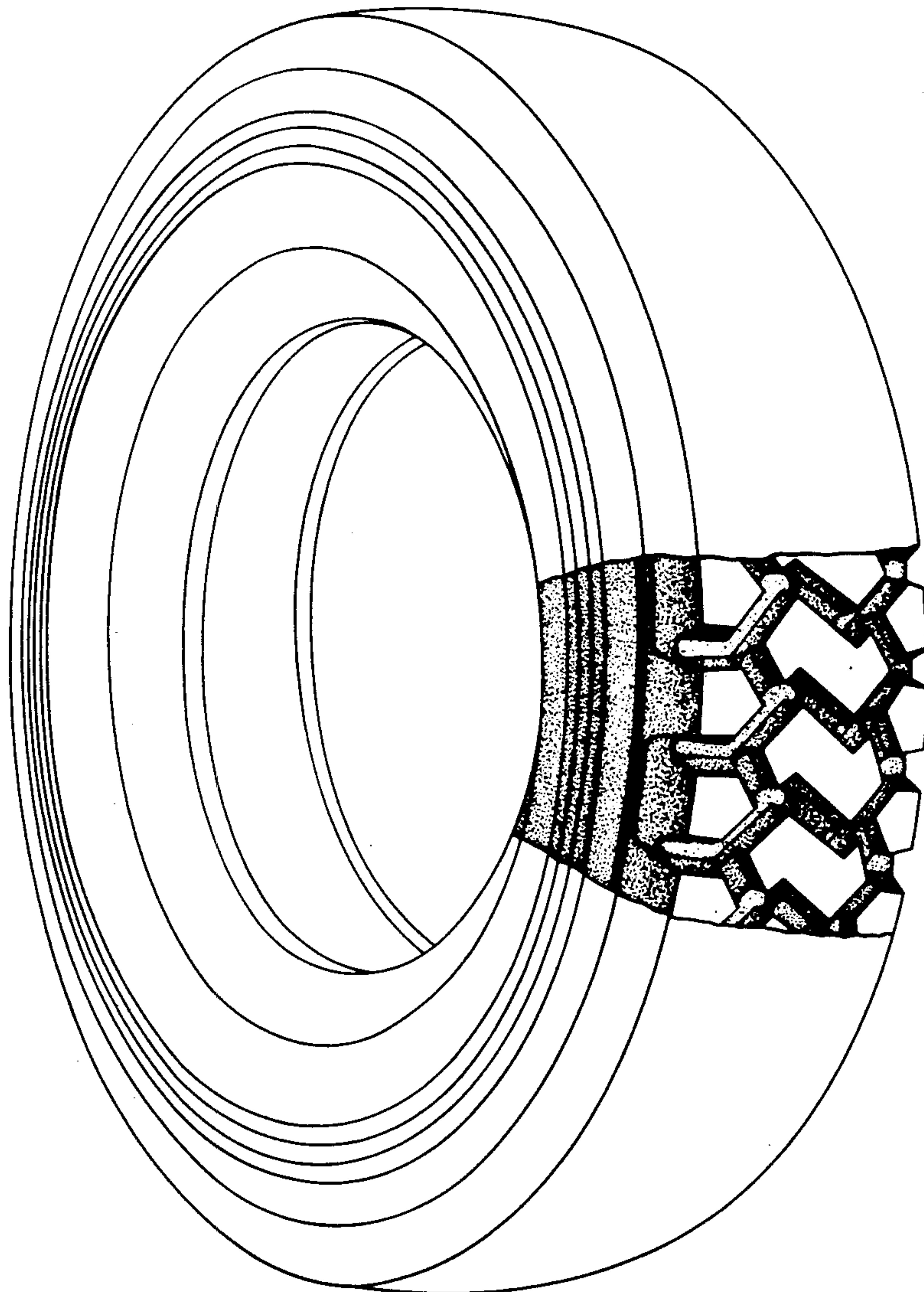
Primary Examiner—James M. Gandy
Attorney, Agent, or Firm—Granville M. Brumbaugh

[57] CLAIM

The ornamental design for a tire, substantially as shown
and described.

DESCRIPTION

The FIGURE is a perspective view of a tire showing
my new design, it being understood that the tread pat-
tern is repeated throughout the circumference of the
tire as shown schematically by solid lines, the opposite
side being substantially the same as that shown.



U.S. Patent

Jan. 30, 1979

Des. 250,946

