

[54] LETTER SCALE

[76] Inventor: Tor Lokvig, 17821 Miranda St., Encino, Calif. 91316

[\*\*] Term: 14 Years

[21] Appl. No.: 764,053

[22] Filed: Jan. 31, 1977

[51] Int. Cl. .... D10-04

[52] U.S. Cl. .... D10/87; D10/90X

[58] Field of Search ..... D10/87-90, D10/94; 177/246, 246.7, 126

[56] References Cited

U.S. PATENT DOCUMENTS

440,959	11/1890	O'Marra .....	177/126
549,534	11/1895	Riess .....	177/246 X
2,335,693	11/1943	Osterberg .....	177/126
2,949,287	8/1960	Linsley .....	177/246
3,830,322	8/1974	Mills .....	177/246

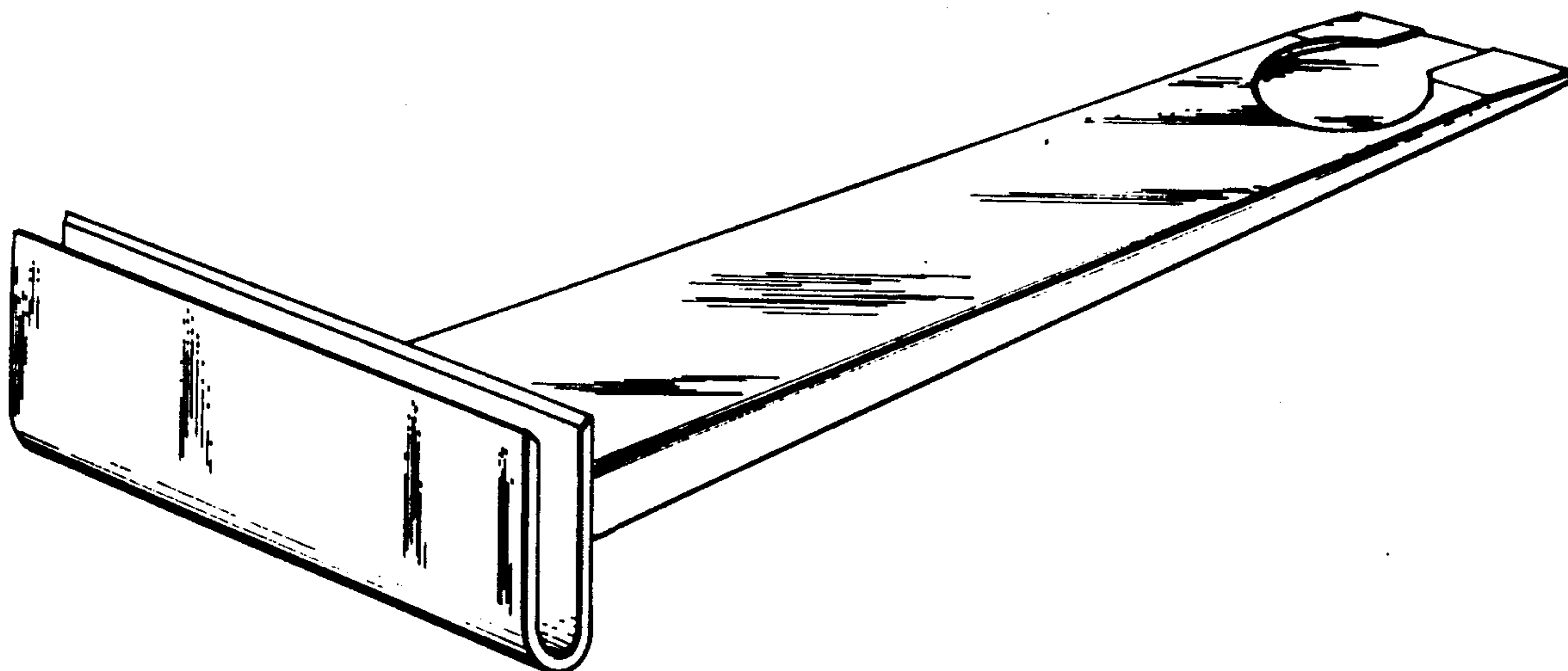
Primary Examiner—Nelson C. Holtje  
Attorney, Agent, or Firm—Gerald Singer

[57] CLAIM

An ornamental design for a letter scale, substantially as shown and described.

DESCRIPTION

FIG. 1 is a left rear perspective view of a letter scale showing my new design;  
 FIG. 2 is a right side elevational view thereof;  
 FIG. 3 is a top plan view thereof;  
 FIG. 4 is a front elevational view thereof;  
 FIG. 5 is a bottom plan view thereof;  
 FIG. 6 is a rear elevational view thereof;  
 FIG. 7 is a left rear perspective view of another embodiment of my new design of FIG. 1;  
 FIG. 8 is a right side elevational view thereof;  
 FIG. 9 is a top plan view thereof;  
 FIG. 10 is a front elevational view thereof;  
 FIG. 11 is a bottom plan view thereof; and  
 FIG. 12 is a rear elevational view thereof.



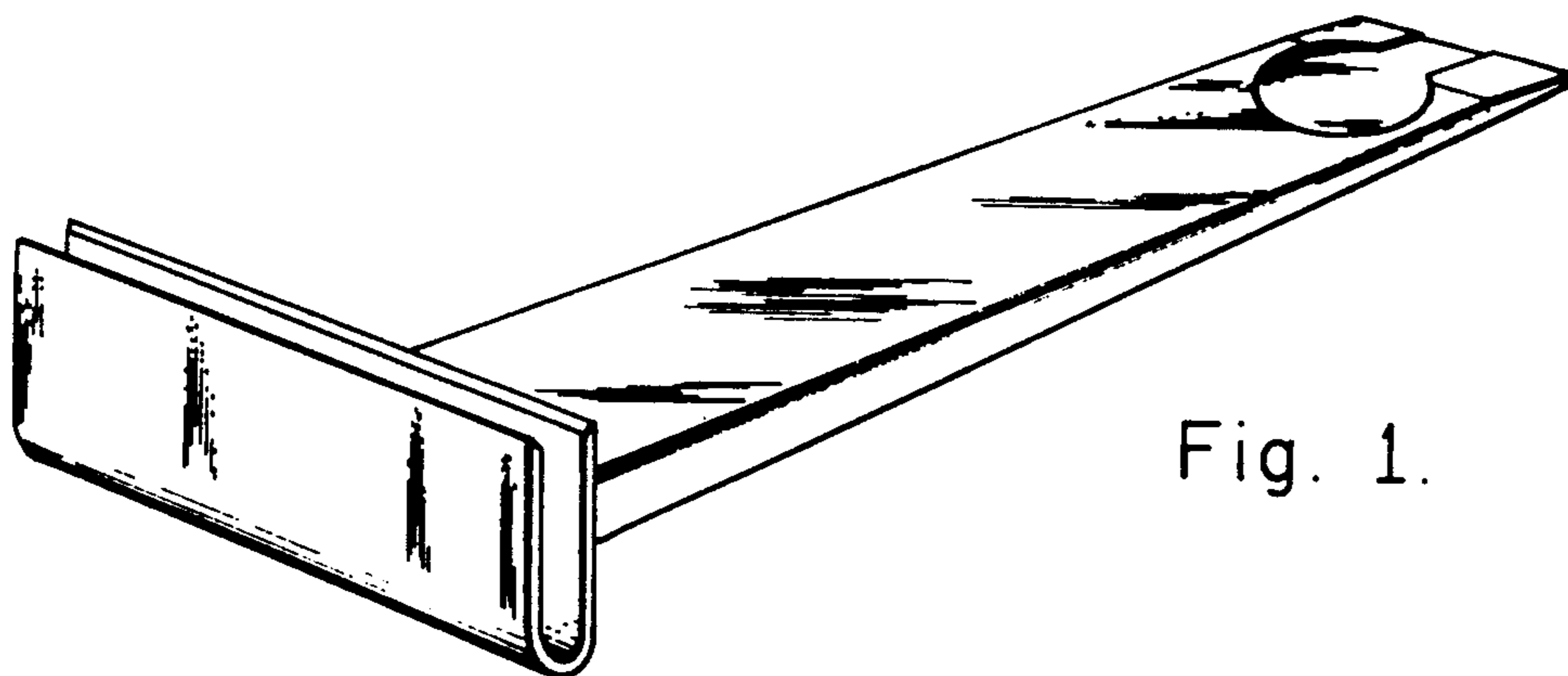


Fig. 1.



Fig. 2.

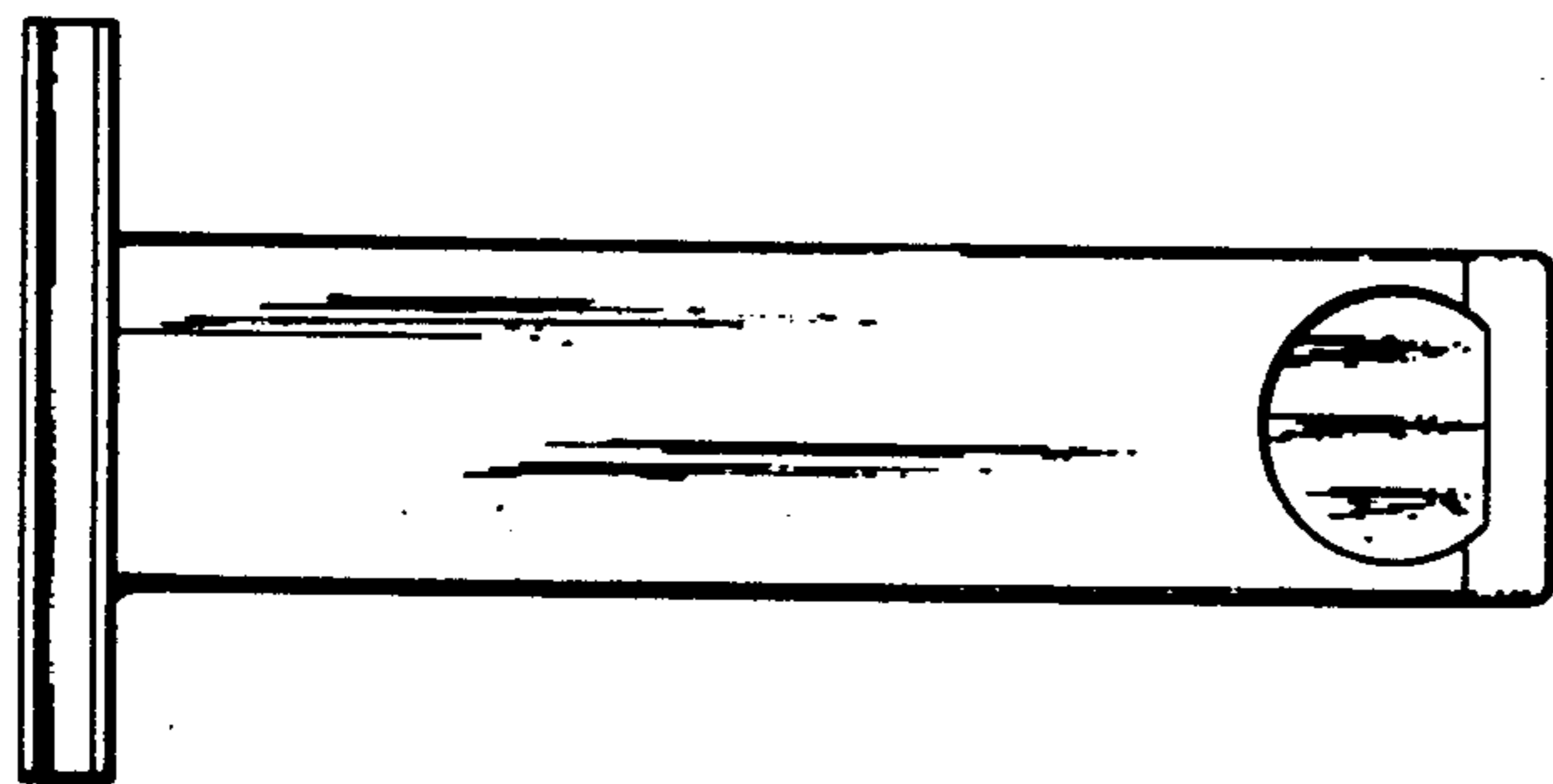


Fig. 3.

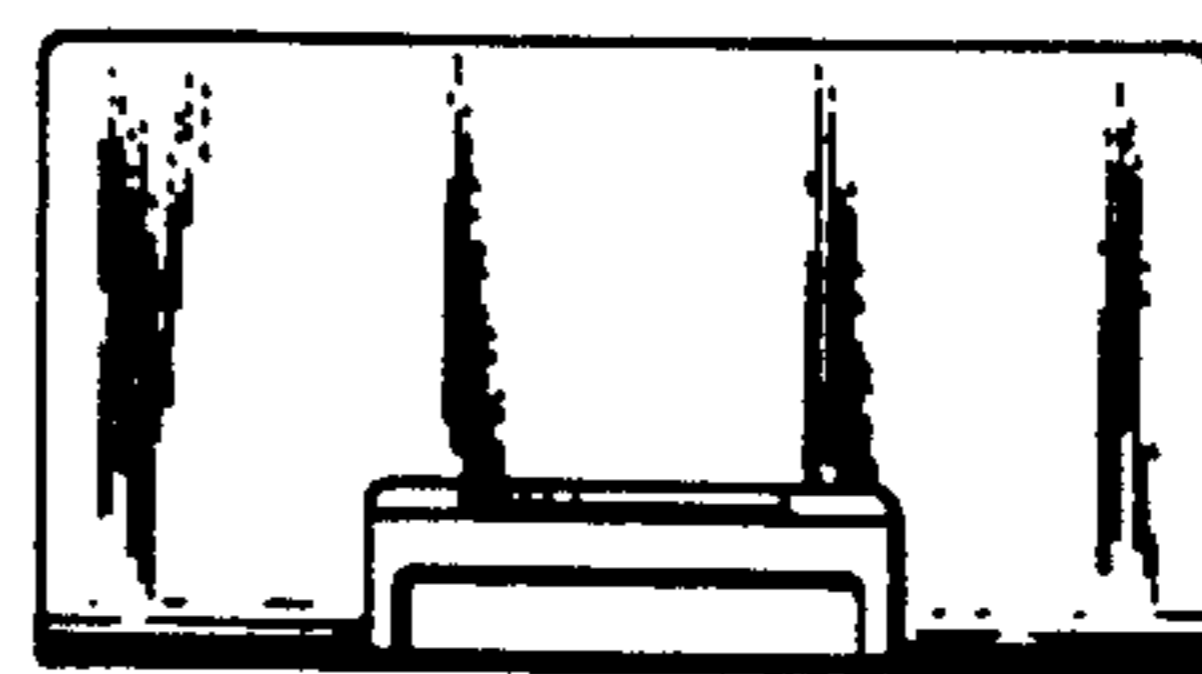


Fig. 4.

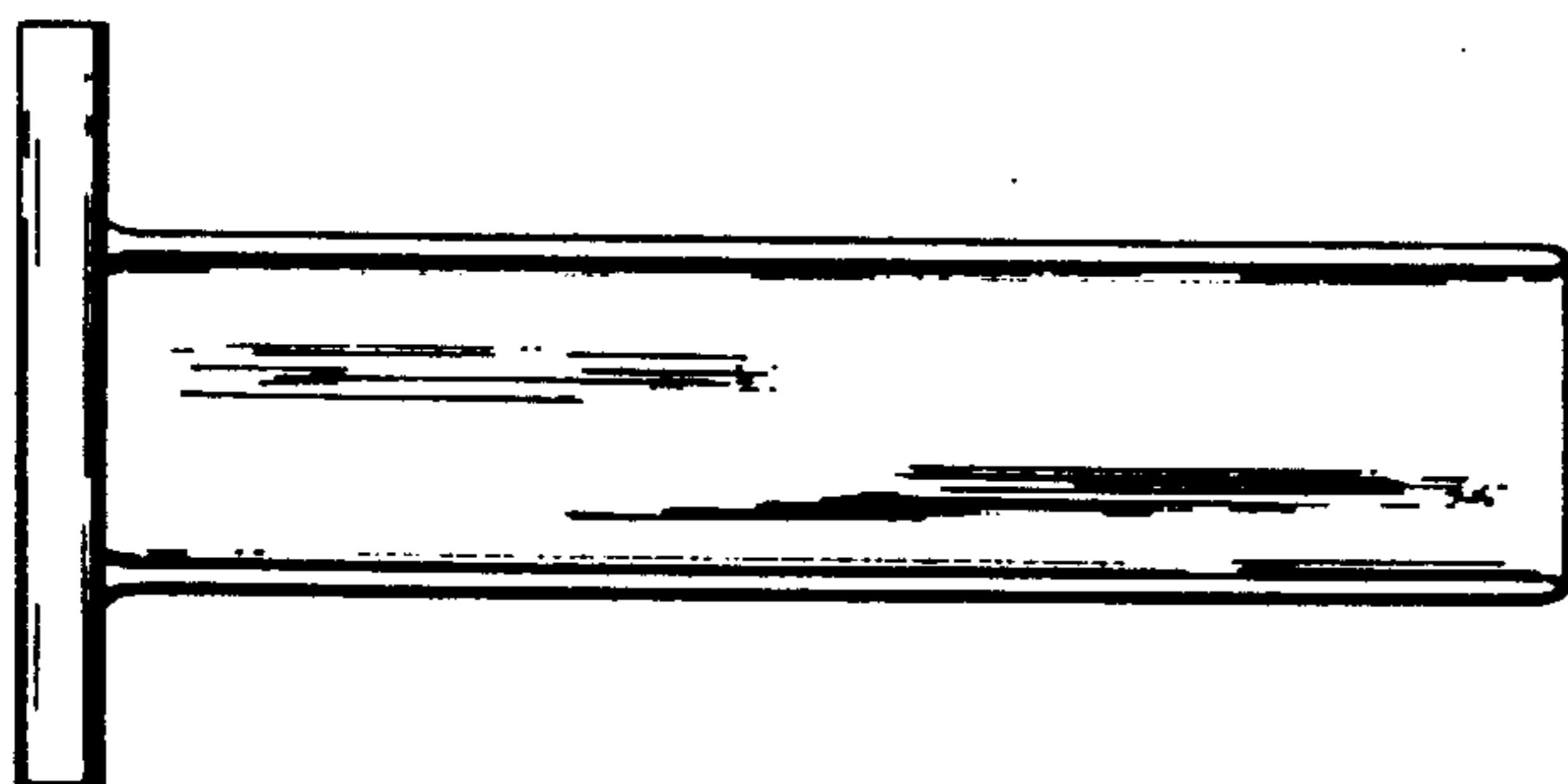


Fig. 5.

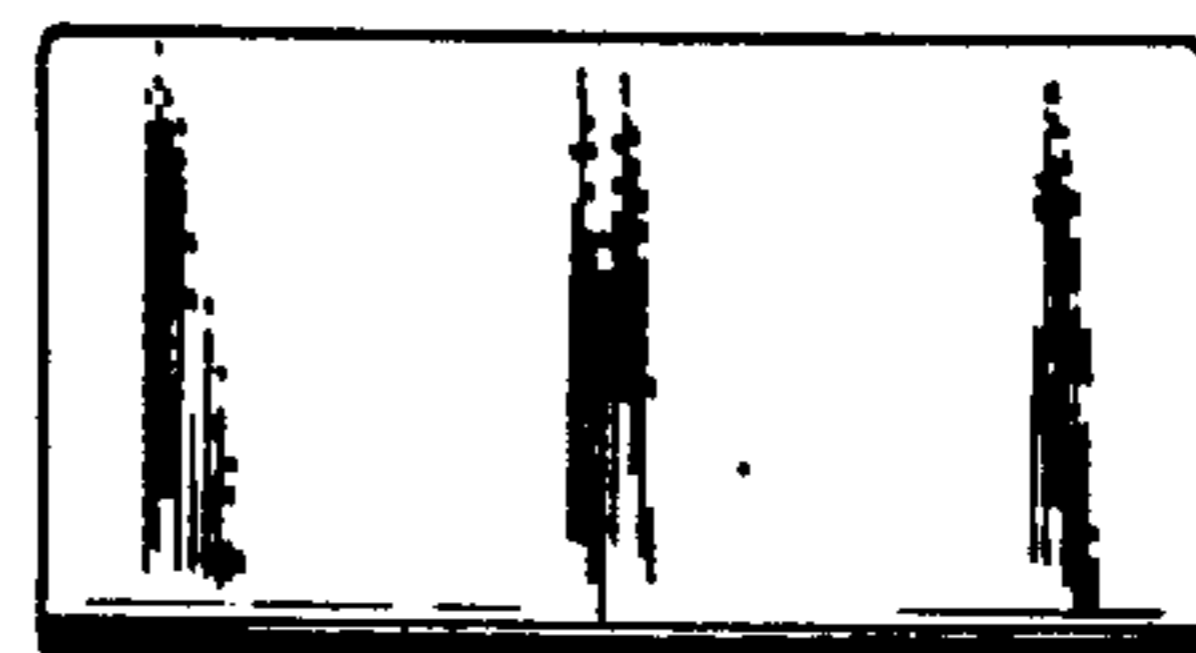


Fig. 6.

Fig. 7.

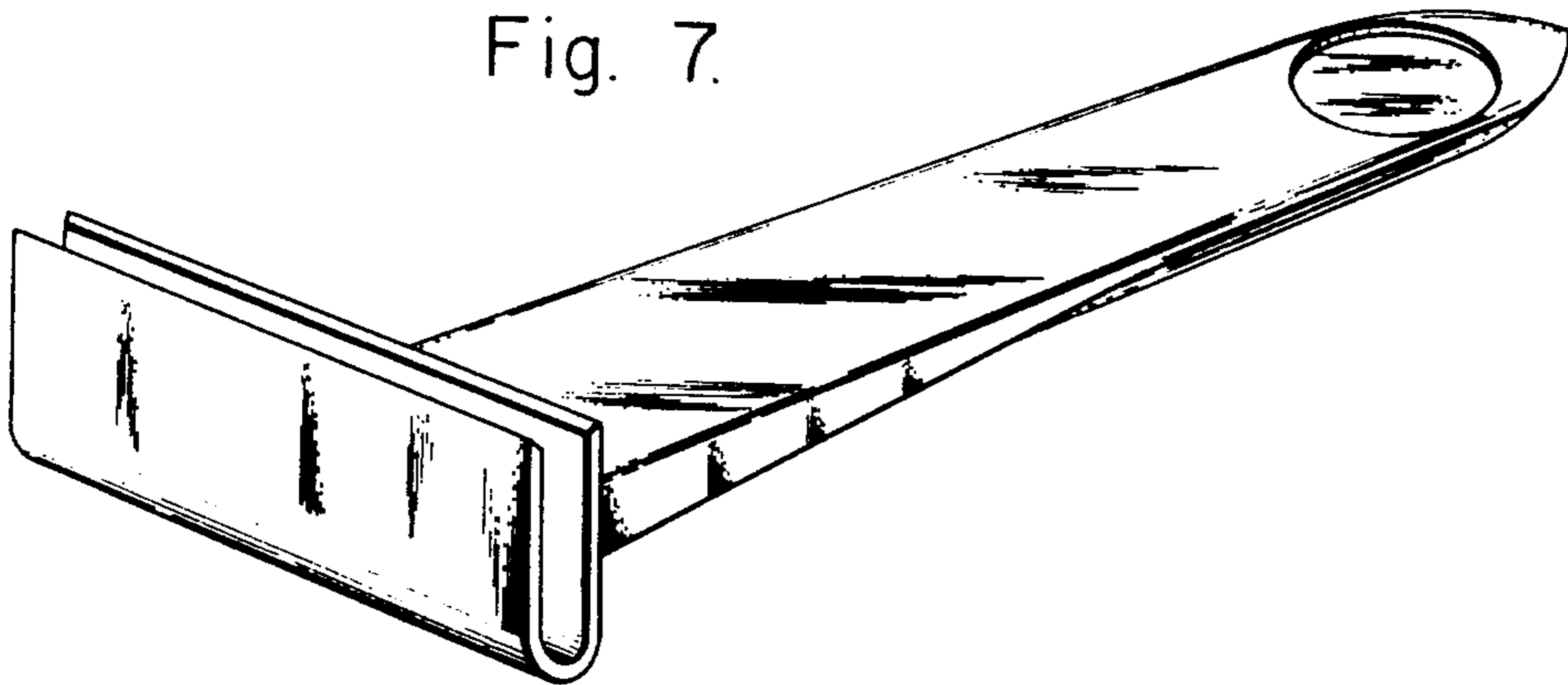


Fig. 8.

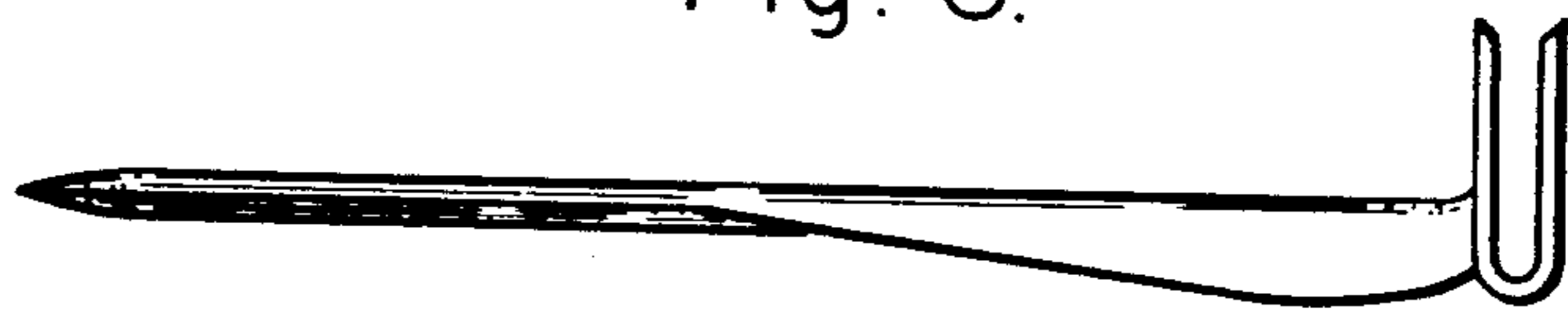


Fig. 9.

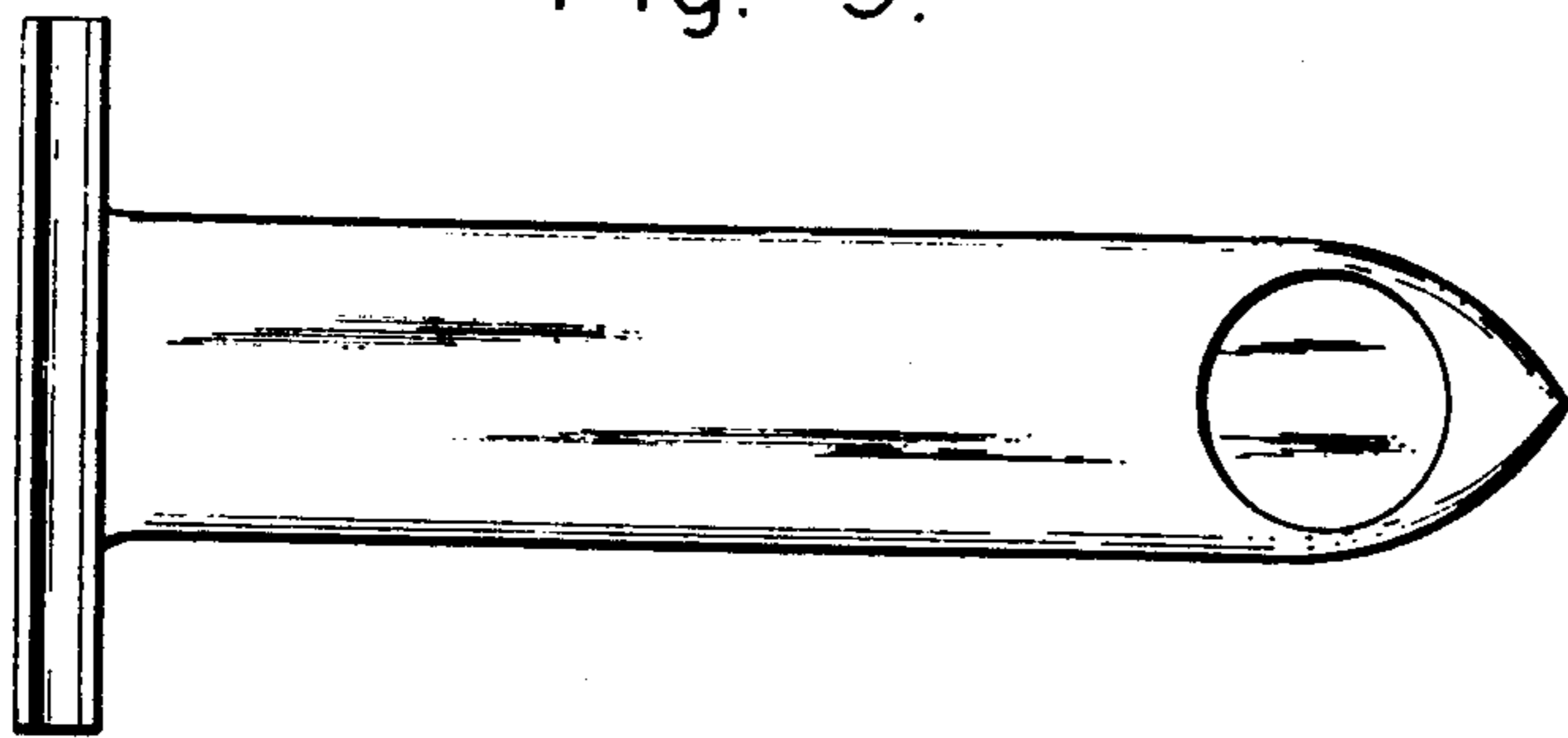


Fig. 10.

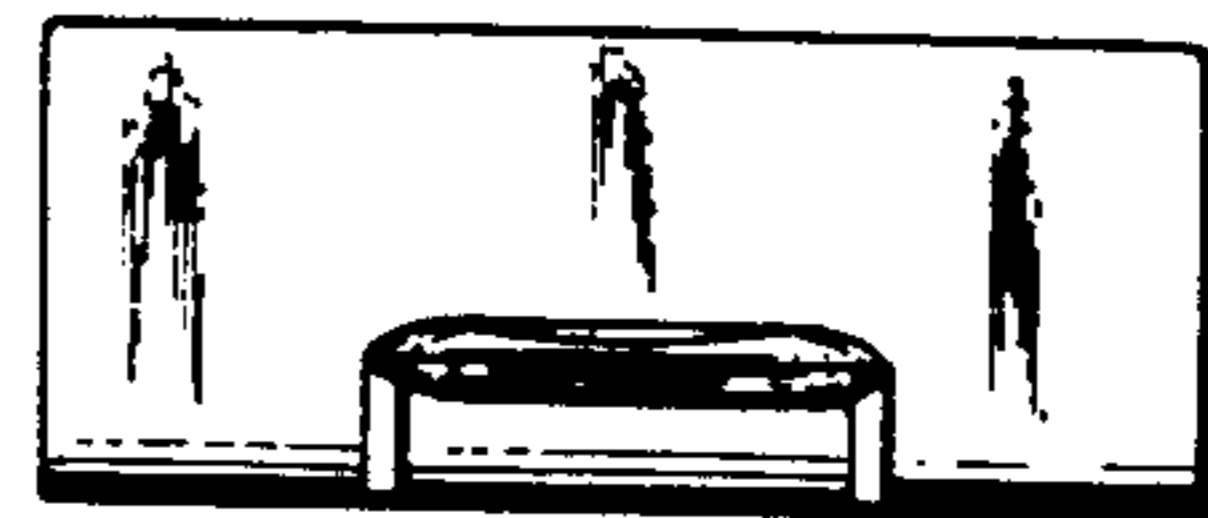


Fig. 11.

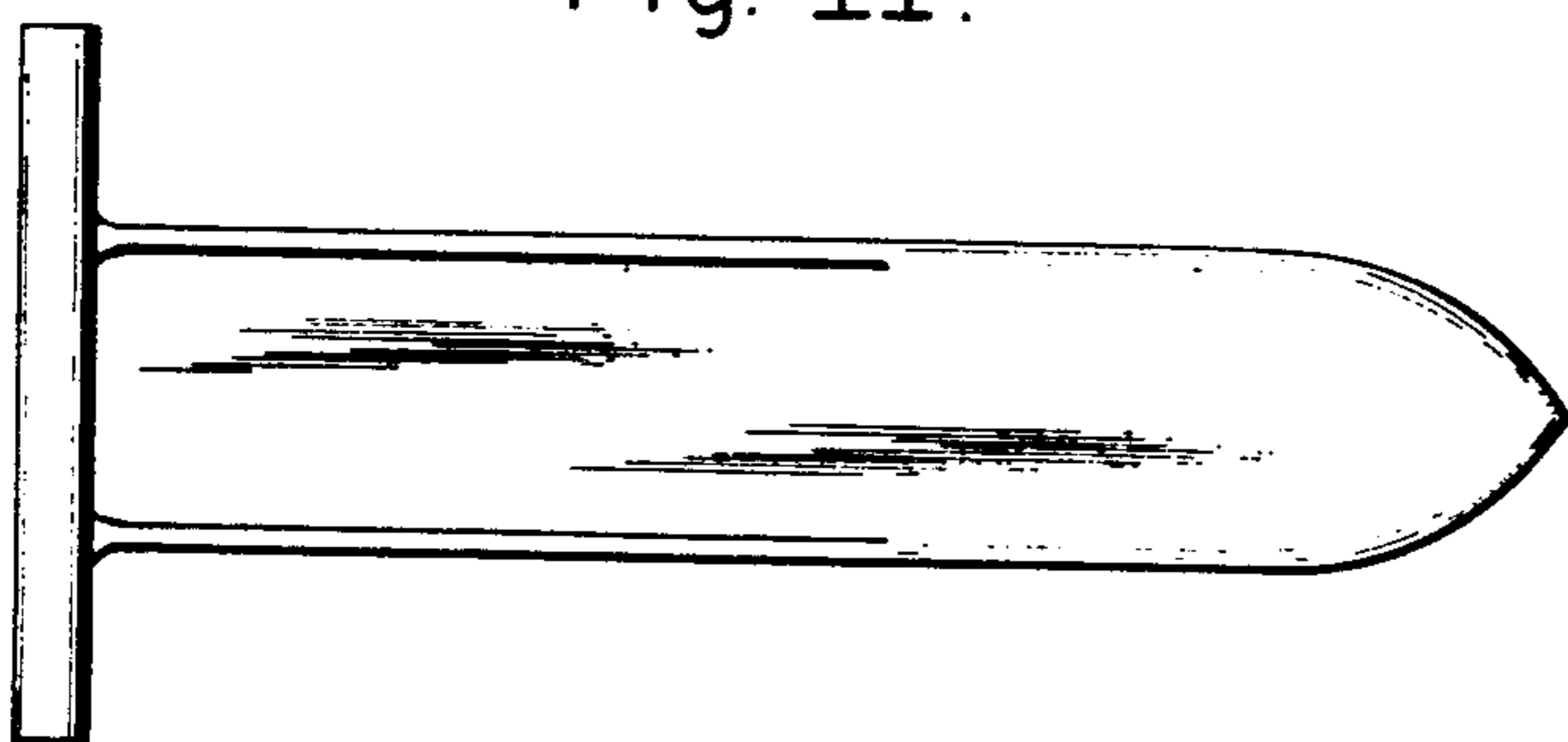


Fig. 12.

