

[54] **MINING MACHINE HEADLIGHT**

[75] **Inventor:** H. P. McJunkin, Jr., Charleston, W. Va.

[73] **Assignee:** McJunkin Corporation

[**] **Term:** 14 Years

[21] **Appl. No.:** 790,907

[22] **Filed:** Apr. 26, 1977

[51] **Int. Cl.** D26—05; D26—06

[52] **U.S. Cl.** D48/24 B; D48/20 K; D48/32 R

[58] **Field of Search** 240/7.1 R, 7.1 E, 7.1 F, 240/7.1 C, 8.1 R, 8.2, 8.22, 8.3; D48/32 R, 20 K, 24 B, 20 E; D10/114

[56] **References Cited**

U.S. PATENT DOCUMENTS

1,110,227 9/1914 Pike 240/8.1 R

3,934,134 1/1976 Wassel 240/7.1 R

4,023,030 5/1977 Teti 240/8.2

Primary Examiner—Susan J. Lucas
Attorney, Agent, or Firm—John W. Malley

[57] **CLAIM**

The ornamental design for a mining machine headlight, as shown and described.

DESCRIPTION

FIG. 1 is a perspective view of the mining machine headlight of my new design;

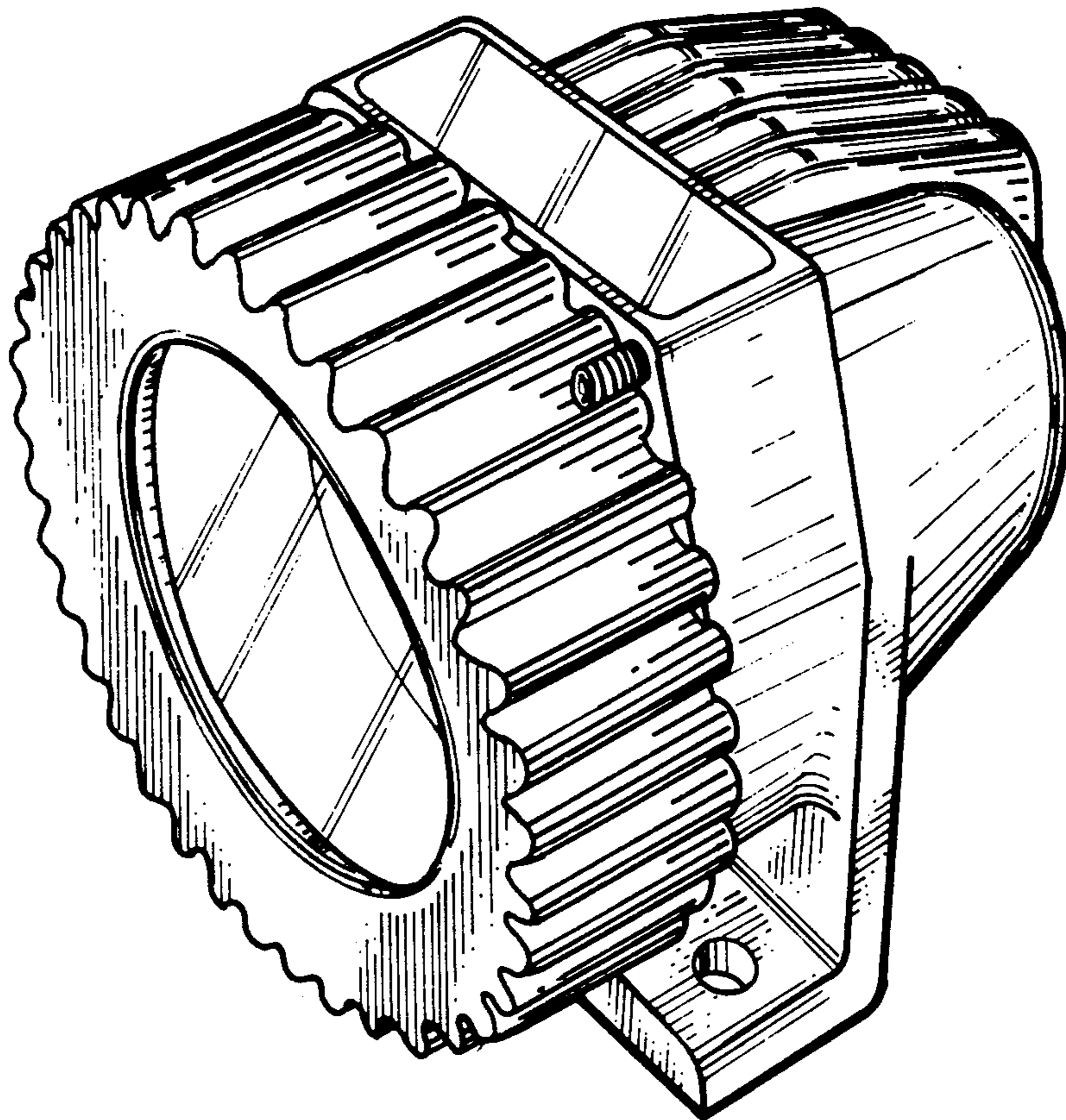
FIG. 2 is a top plan view thereof on an enlarged scale;

FIG. 3 is a side elevation view thereof on an enlarged scale (a view from the opposite side would be a mirror image);

FIG. 4 is a rear elevation view thereof on an enlarged scale; and

FIG. 5 is a front elevation view thereof on an enlarged scale.

The bottom is plain and unornamented.



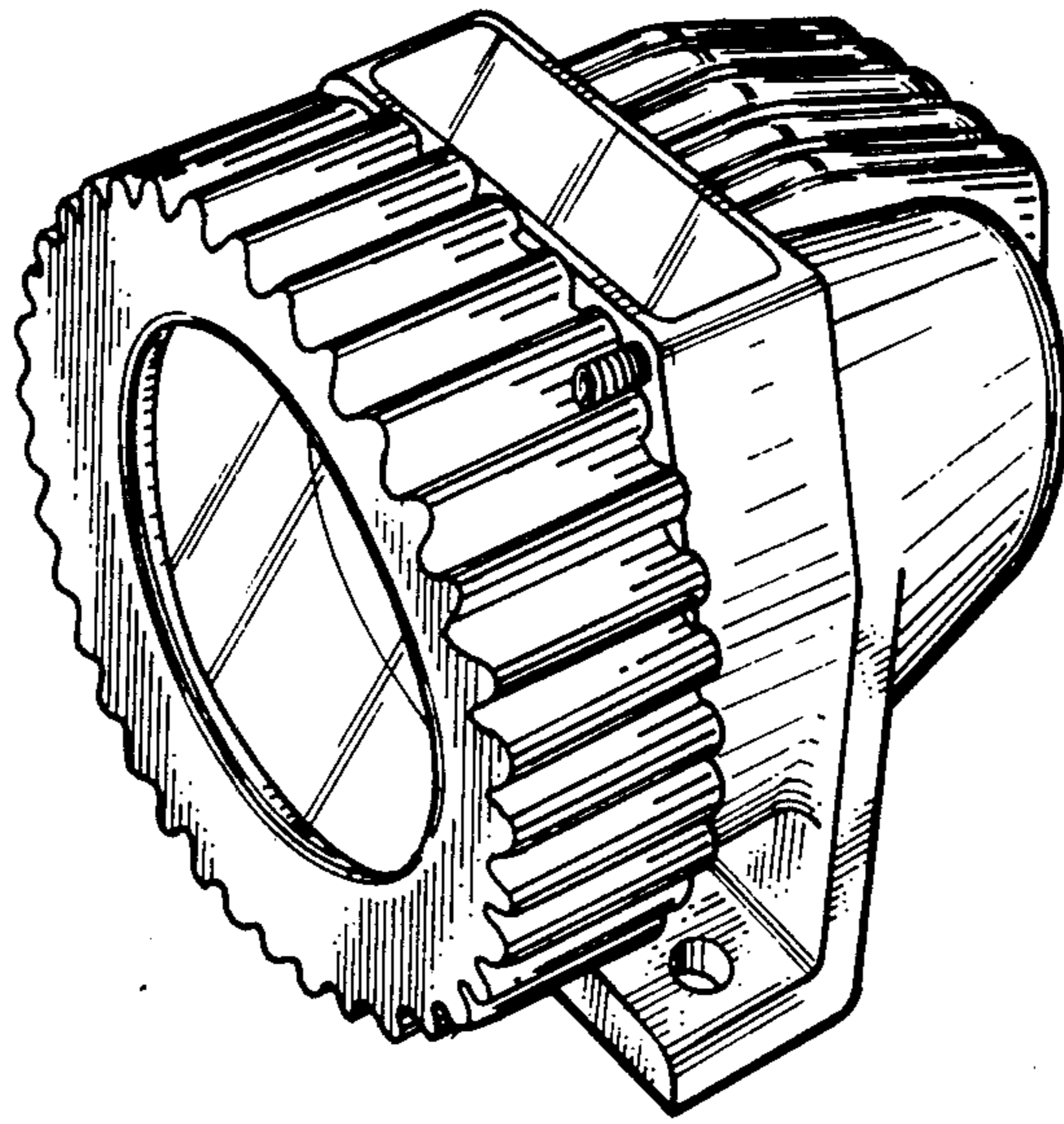


FIG. 1

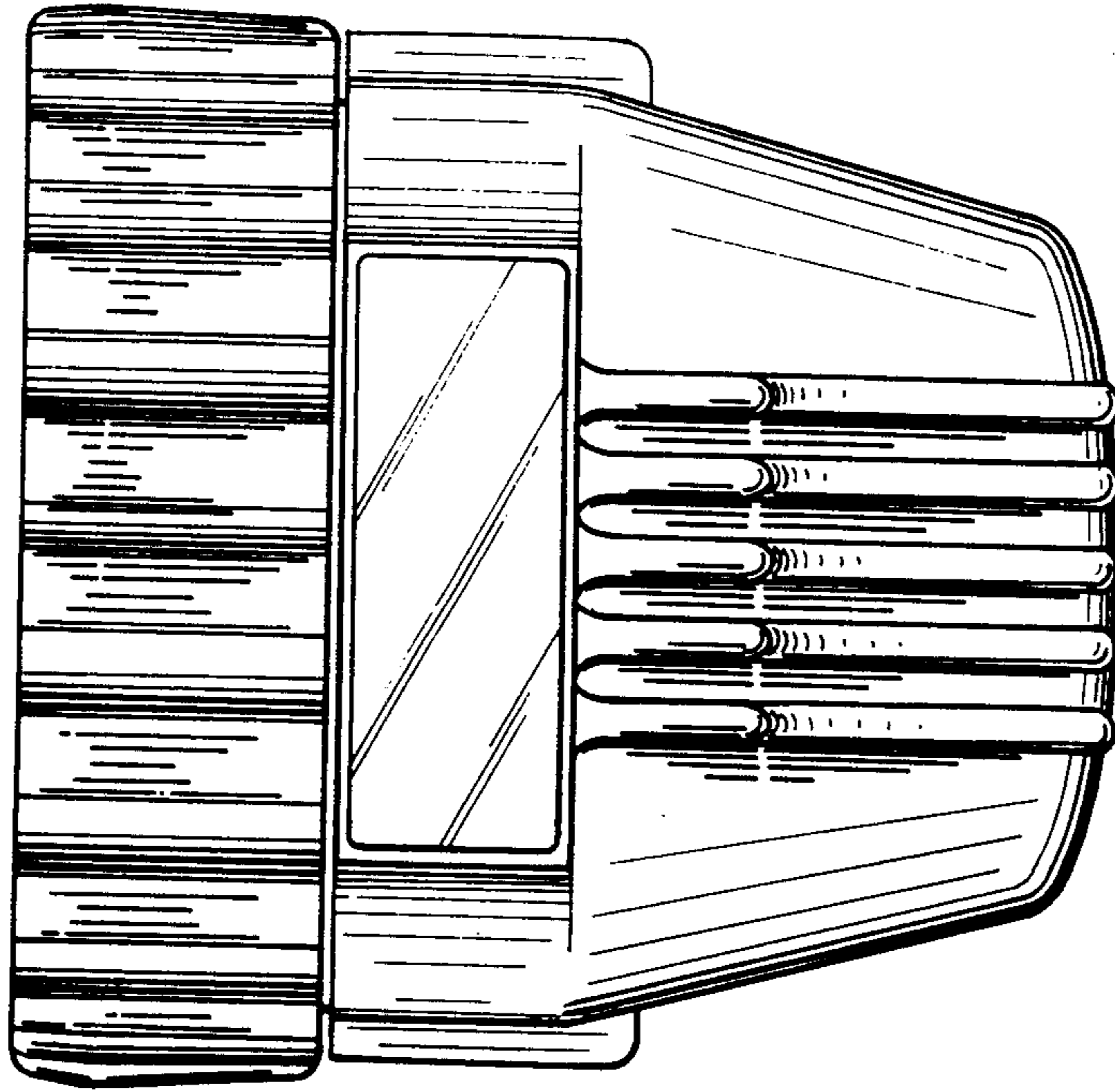


FIG. 2

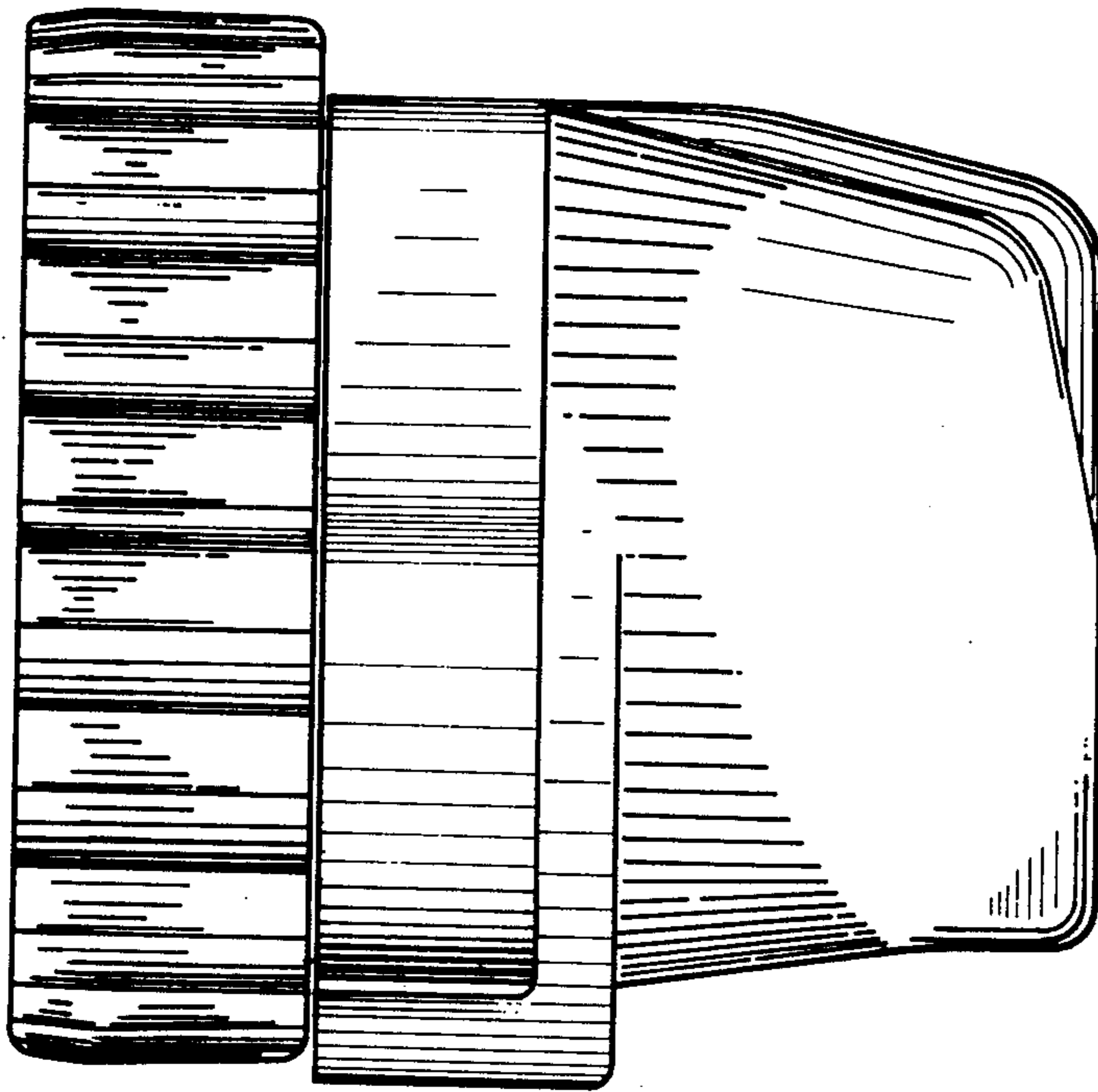


FIG. 3

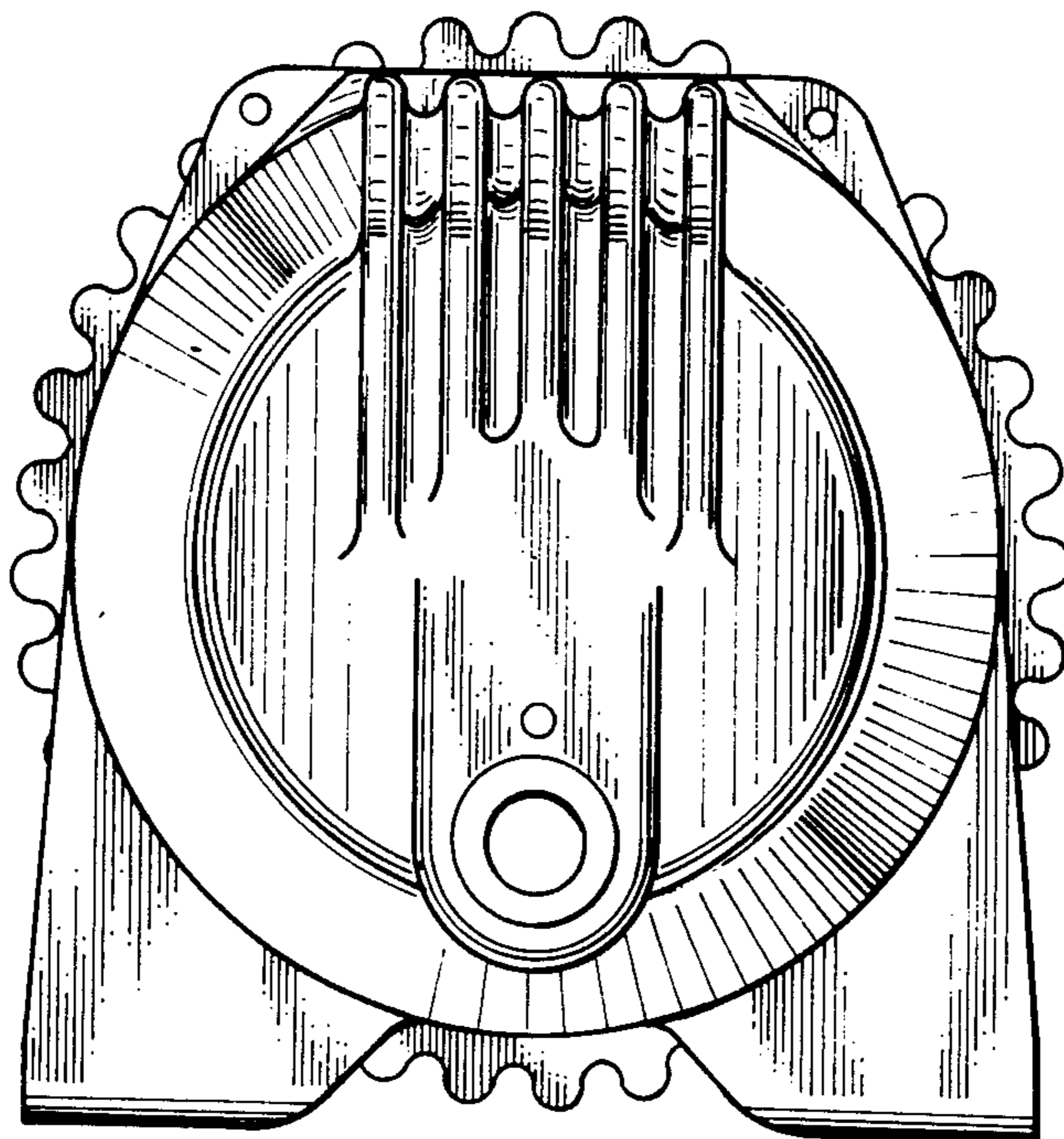


FIG. 4

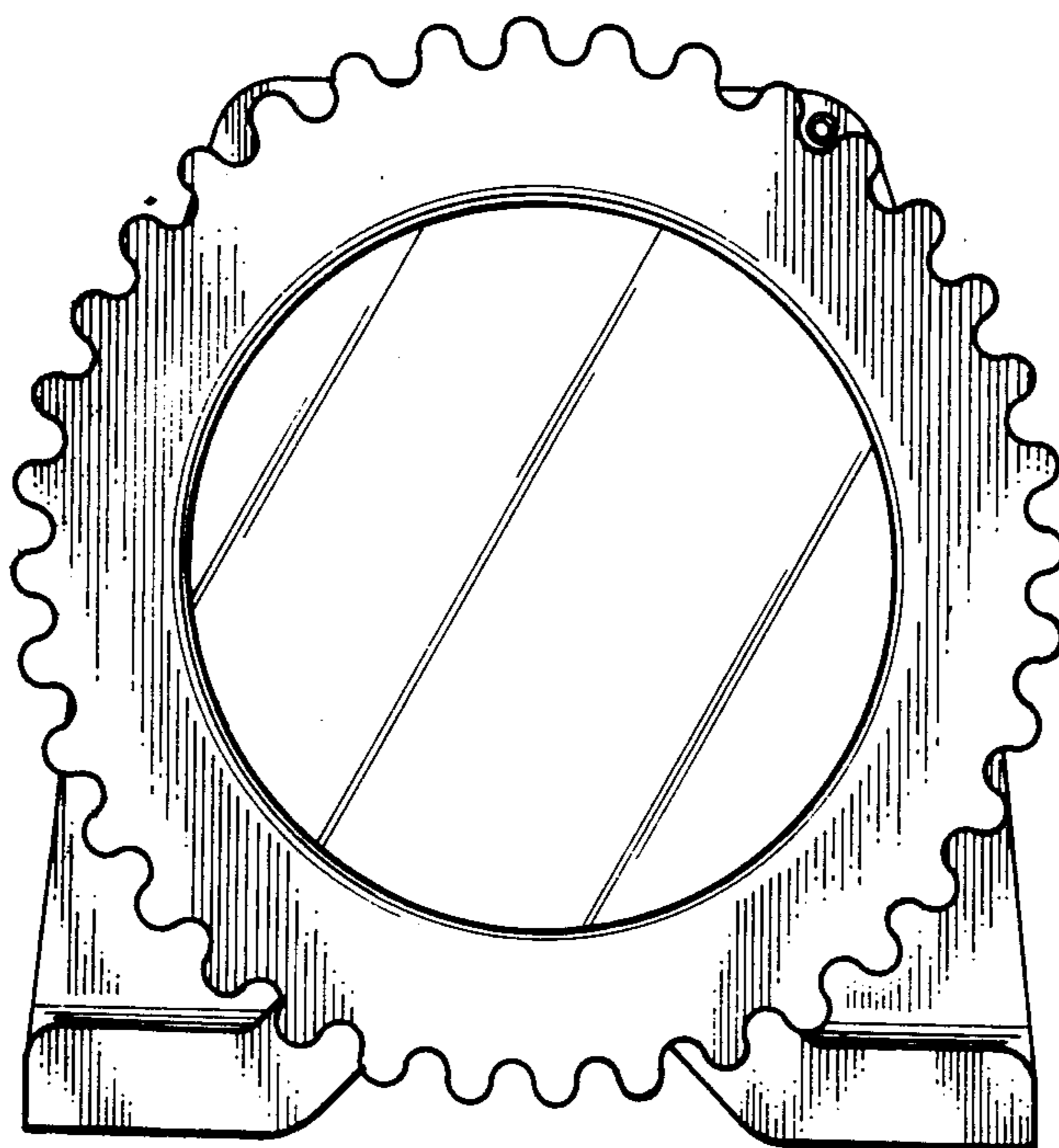


FIG. 5