

[54] BUILDING BLOCK

[76] Inventor: James A. Schuring, 352 Saratoga Ave., NW., Canton, Ohio 44708

[**] Term: 14 Years

[21] Appl. No.: 795,406

[22] Filed: May 9, 1977

[51] Int. Cl. D25-01

[52] U.S. Cl. D25/86; D25/87; D25/92

[58] Field of Search 52/284, 285, 313, 314, 52/570, 589, 593, 227; D25/86, 87, 88, 92

[56] References Cited

U.S. PATENT DOCUMENTS

D. 243,855 3/1977 Hynes D25/87
1,011,283 12/1911 Ullrich D25/86 X

1,571,815 2/1926 Stout D25/86 X
3,618,279 11/1971 Sease D25/88

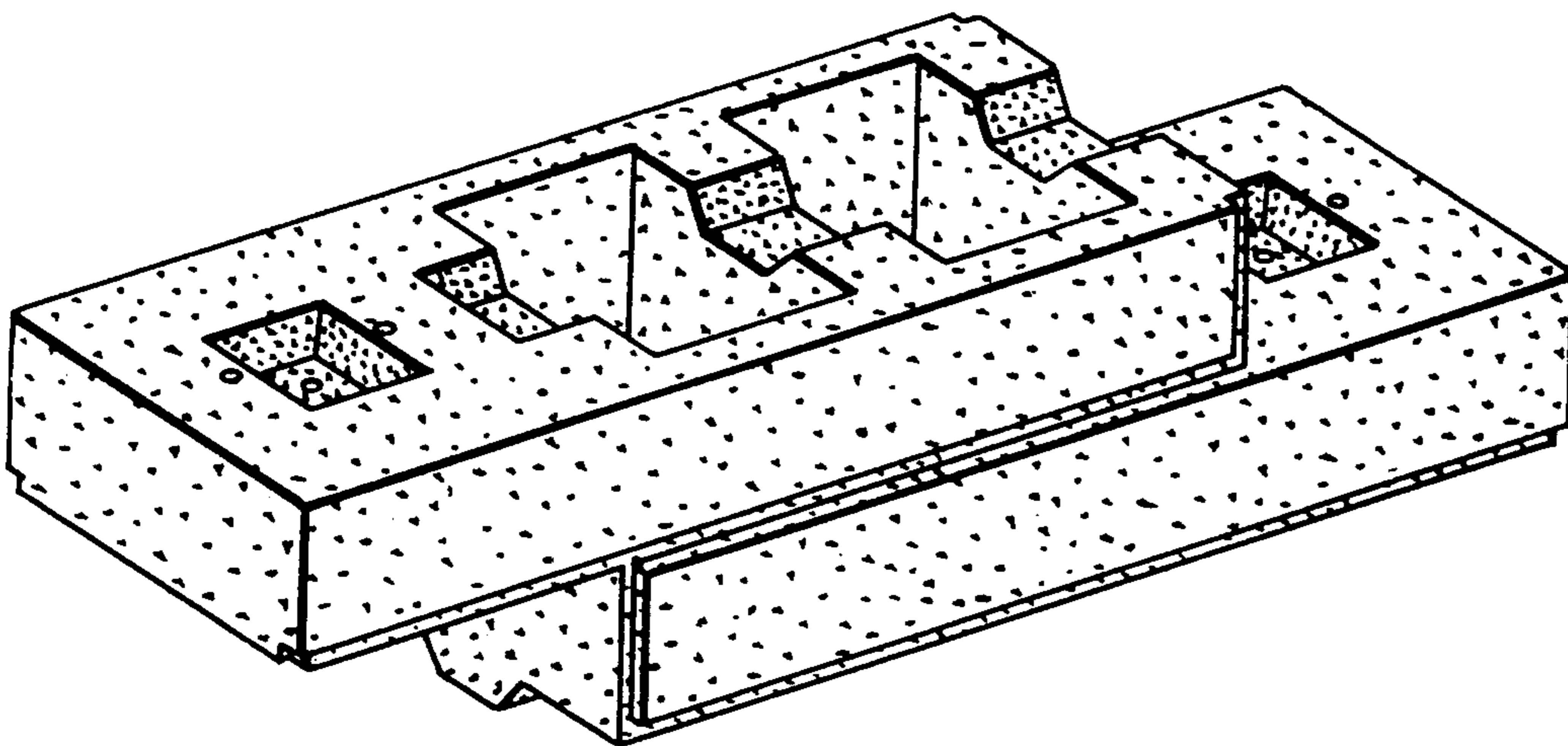
Primary Examiner—A. Hugo Word
Attorney, Agent, or Firm—Joseph Frease

[57] CLAIM

The ornamental design for a building block, as shown.

DESCRIPTION

FIG. 1 is a perspective top view of a building block showing my new design;
FIG. 2 is a perspective bottom view of the building block, as shown in FIG. 1;
FIG. 3 is an enlarged front elevational view of the building block, as shown in FIG. 1;
FIG. 4 is a right-hand side elevational view of the building block, as shown in FIG. 3; and
FIG. 5 is a left-hand side elevational view of the building block, as shown in FIG. 3.



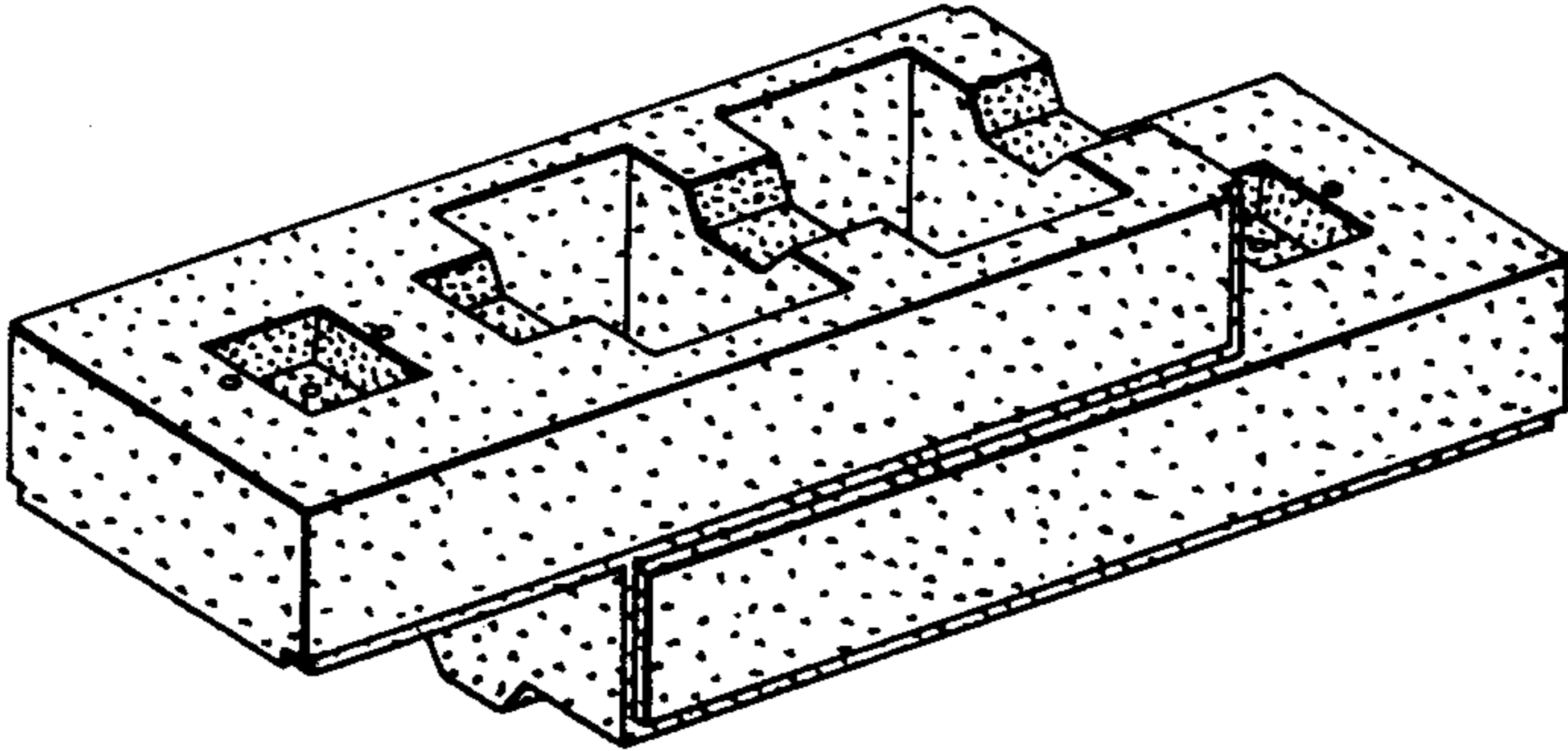


FIG. 1

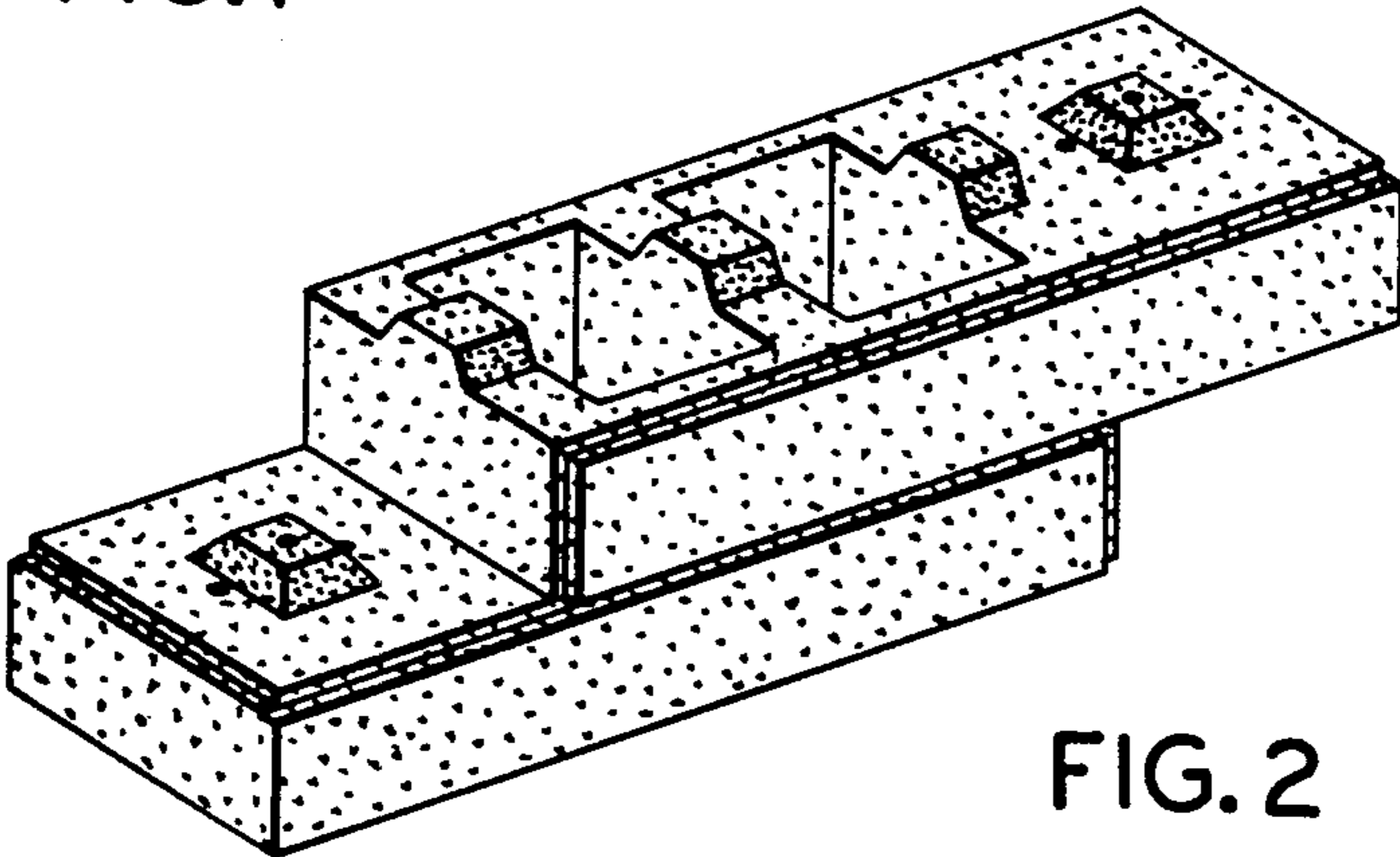


FIG. 2

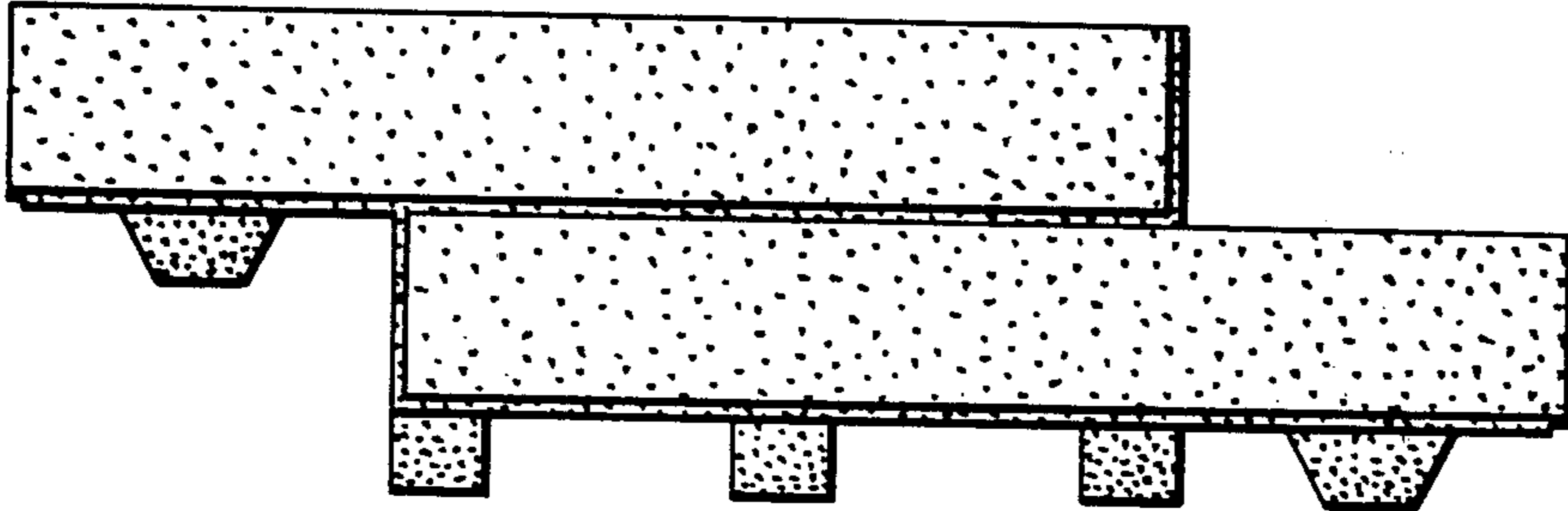


FIG. 3

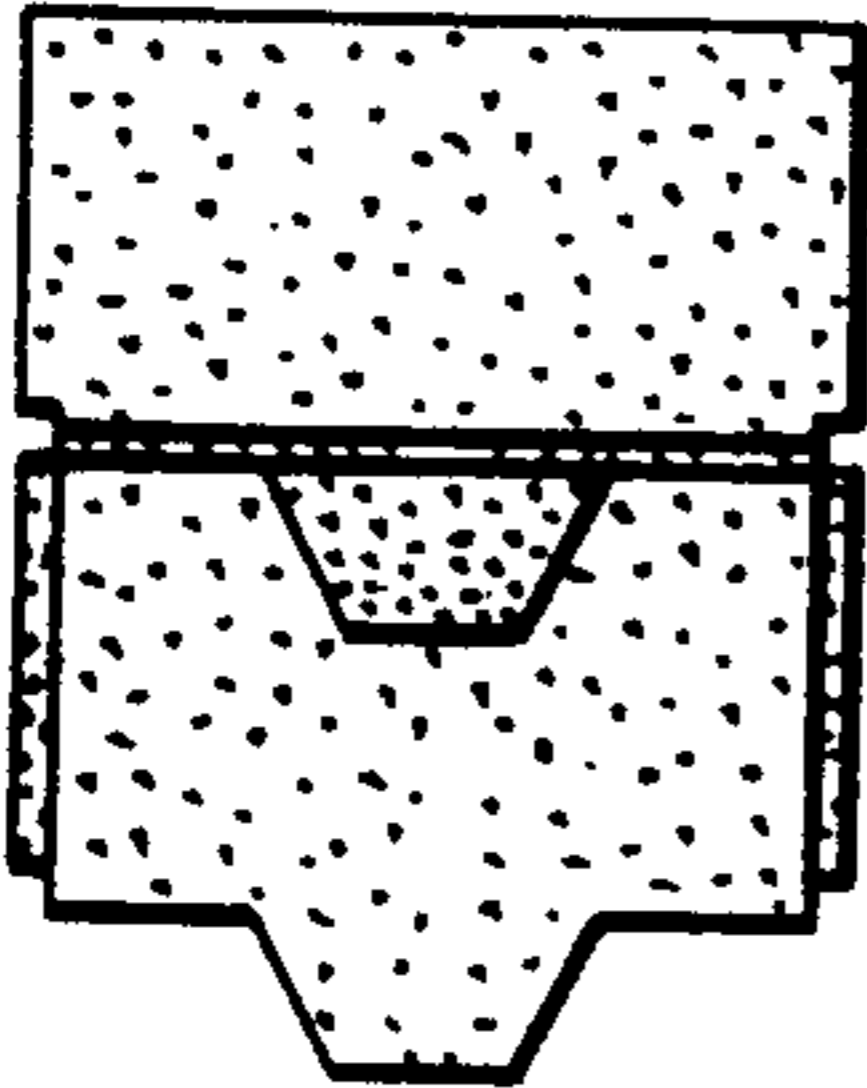


FIG. 4

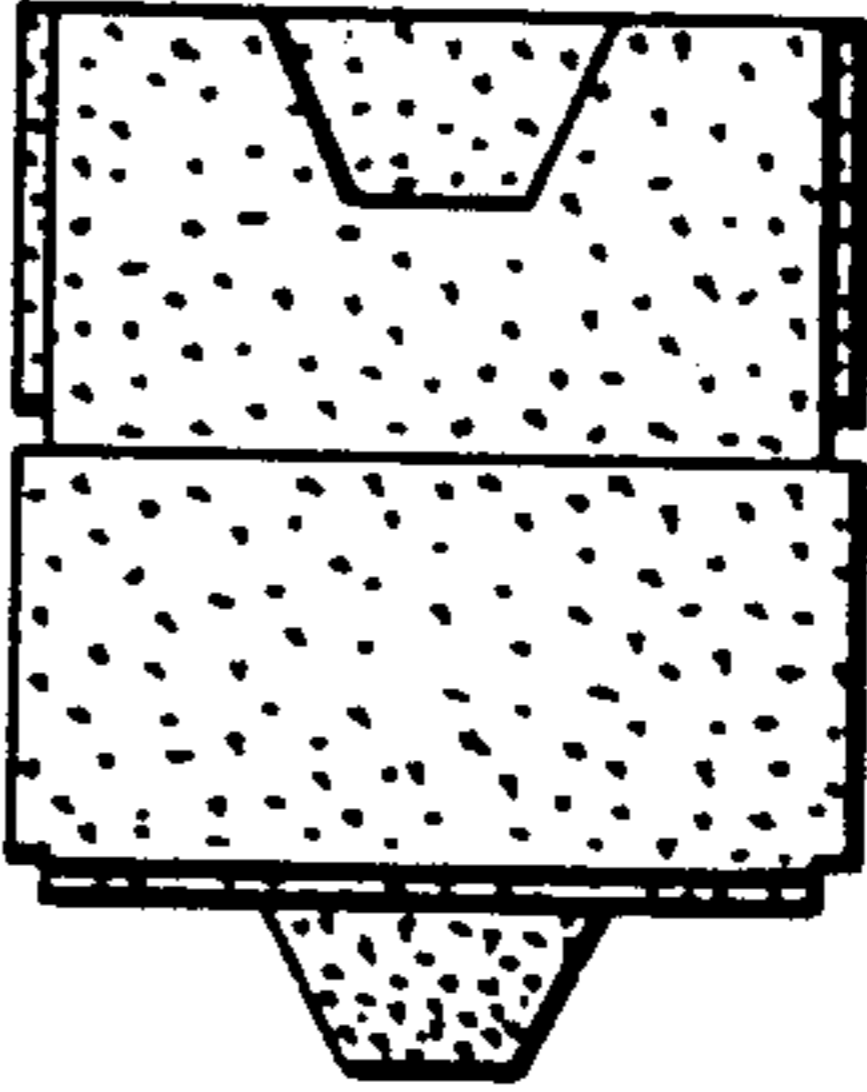


FIG. 5