

[54] TELEPHONE STATION SET BASE  
 [75] Inventor: Rembert R. Stokes, Middletown, N.J.  
 [73] Assignee: Bell Telephone Laboratories, Incorporated, Murray Hill, N.J.  
 [\*\*] Term: 14 Years  
 [21] Appl. No.: 789,737  
 [22] Filed: Apr. 21, 1977  
 [51] Int. Cl. .... D14-03  
 [52] U.S. Cl. .... D14/53; 179/178; 179/179  
 [58] Field of Search ..... 179/103, 100 R, 178, 179/179, 153; D14/53, 55, 56, 94, 95, 92; 325/15, 16, 471

[56] **References Cited**  
**U.S. PATENT DOCUMENTS**  
 D. 102,955 1/1937 Obergfell ..... D14/56  
 D. 217,819 6/1970 Deushi et al. .... D14/53

D. 227,783 7/1973 Janda et al. .... D14/55  
 D. 237,281 10/1975 Spranger et al. .... D14/53  
 D. 238,374 1/1976 Davis et al. .... D14/56  
 D. 243,024 1/1977 Pablik ..... D14/94  
 D. 246,103 10/1977 Taylor ..... D14/53  
 3,553,585 12/1968 Robertson et al. .... 325/15  
 3,824,465 7/1974 Blough ..... 325/352

Primary Examiner—Bernard Ansher  
 Attorney, Agent, or Firm—W. L. Keefauver

[57] **CLAIM**  
 The ornamental design for a telephone station set base, substantially as shown and described.

**DESCRIPTION**  
 FIG. 1 is a front right bottom perspective view of a telephone station set base showing my new design;  
 FIG. 2 is a front elevation;  
 FIG. 3 is a right-hand side elevation;  
 FIG. 4 is a rear elevation;  
 FIG. 5 is a left elevation; and  
 FIG. 6 is a top plan view.

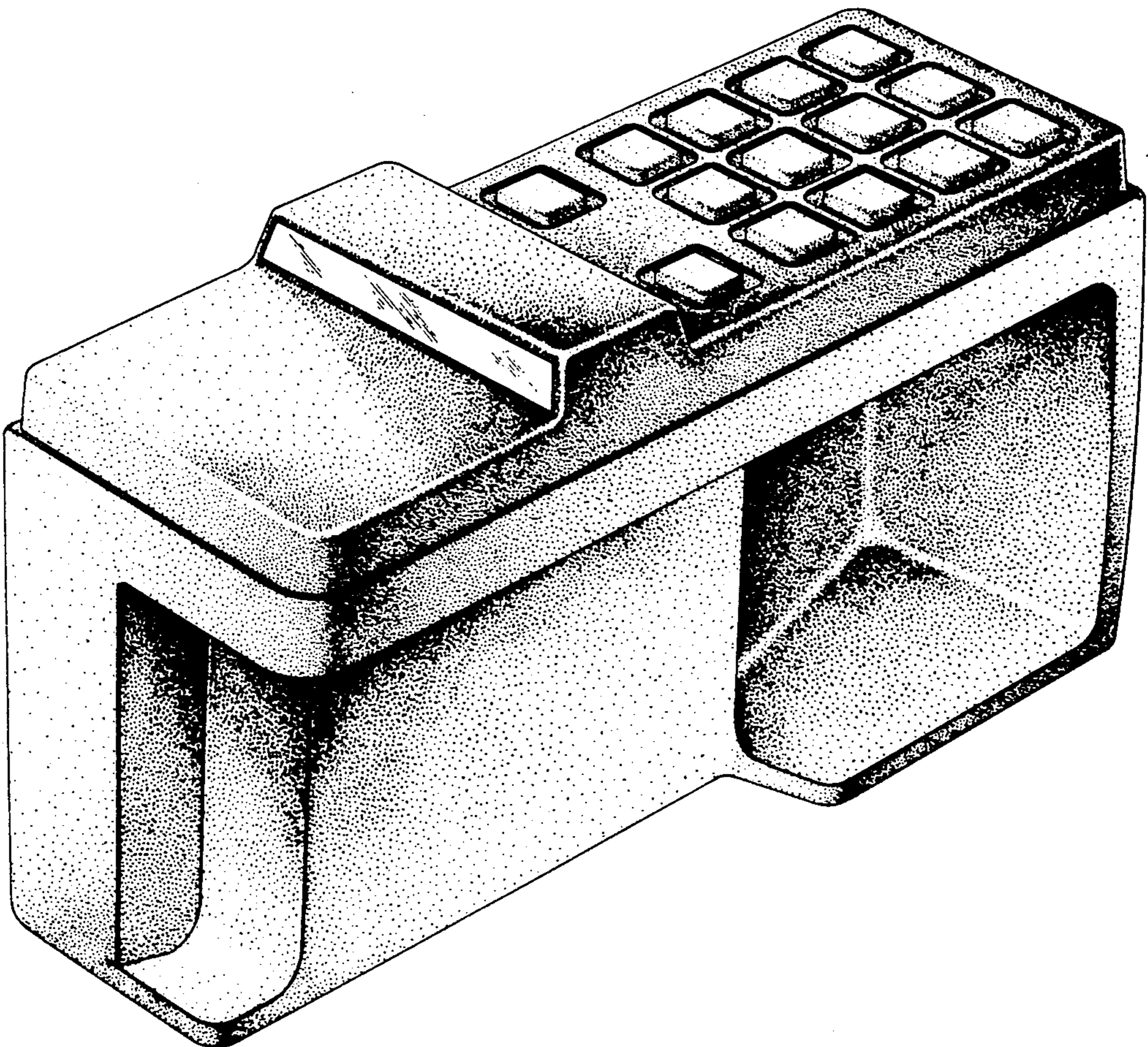


FIG. 1

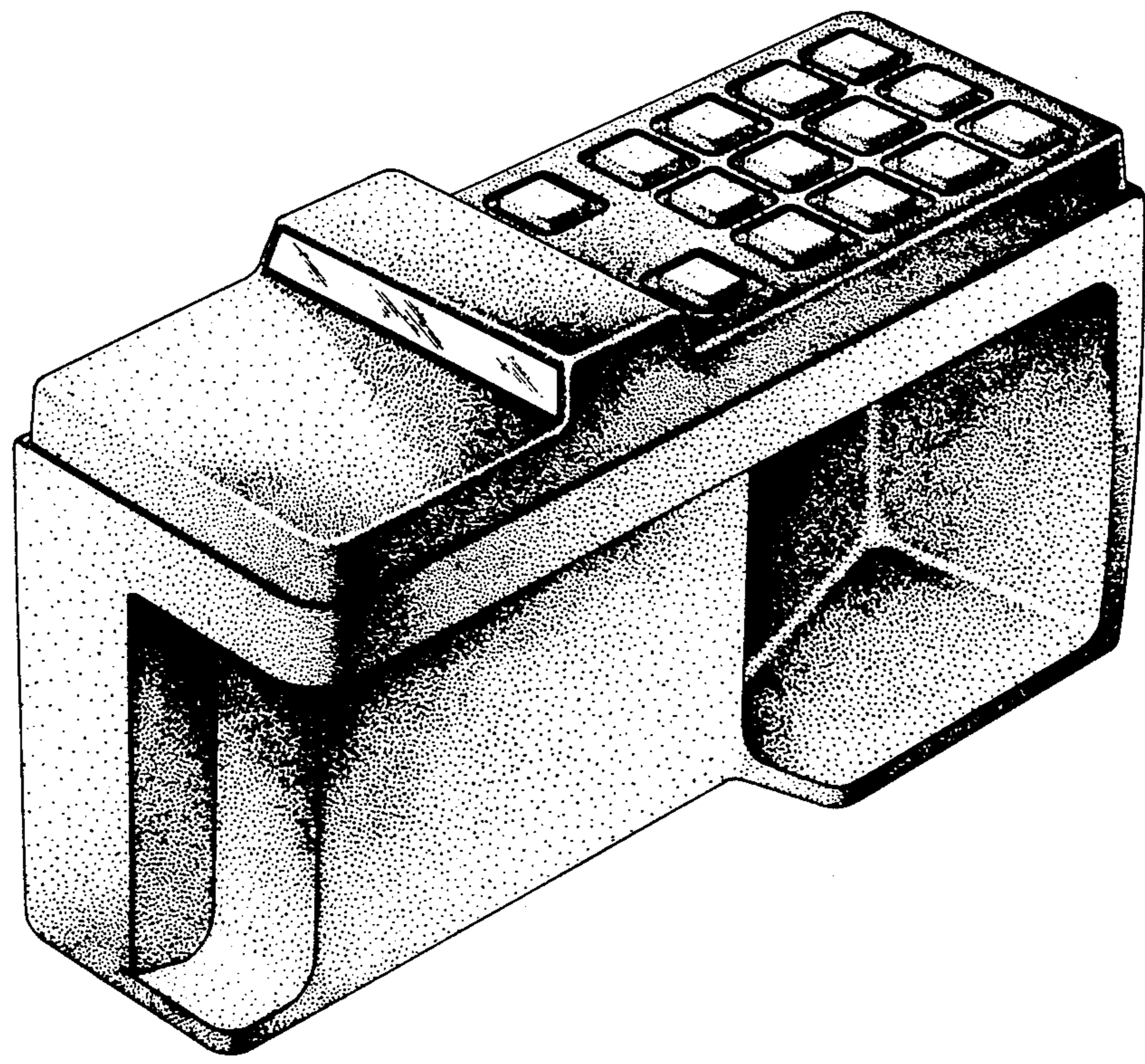


FIG. 3

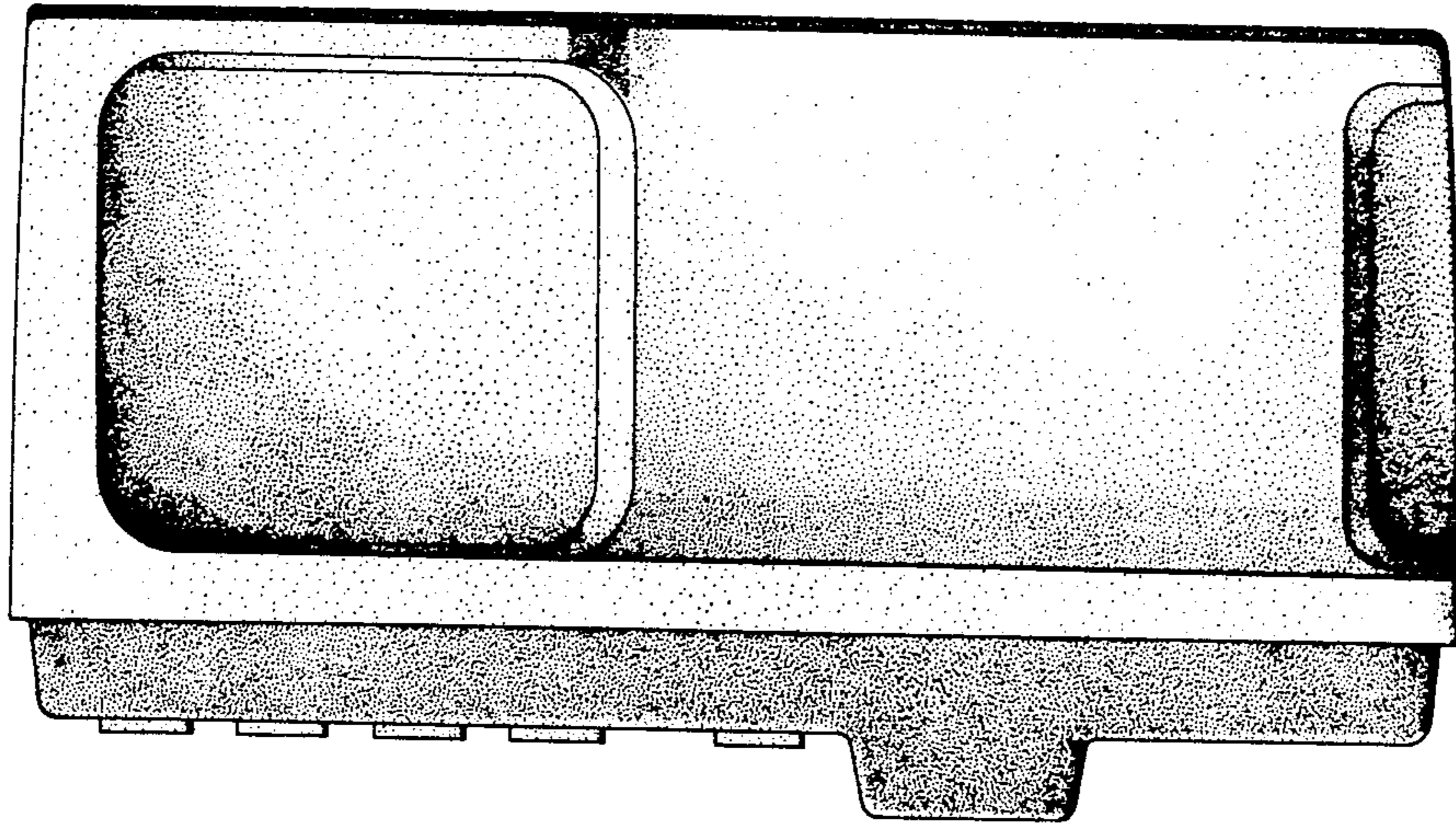


FIG. 2

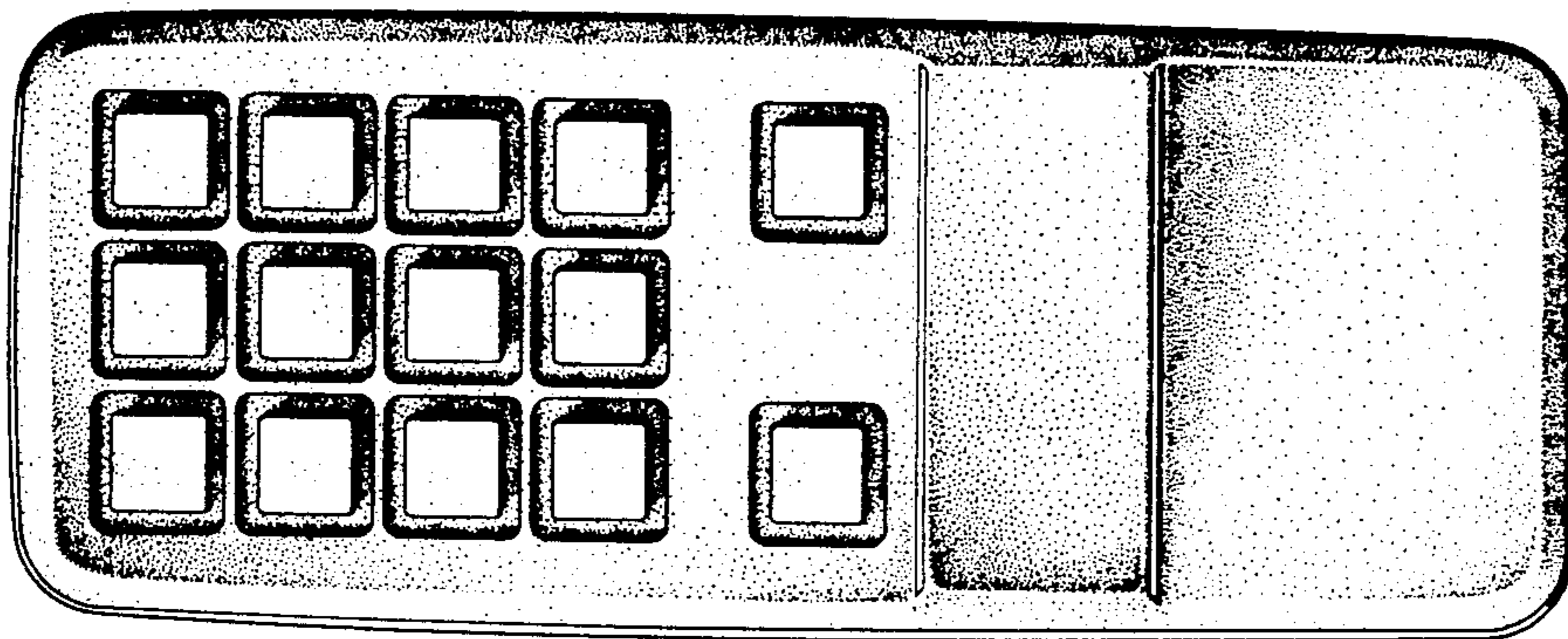


FIG. 5

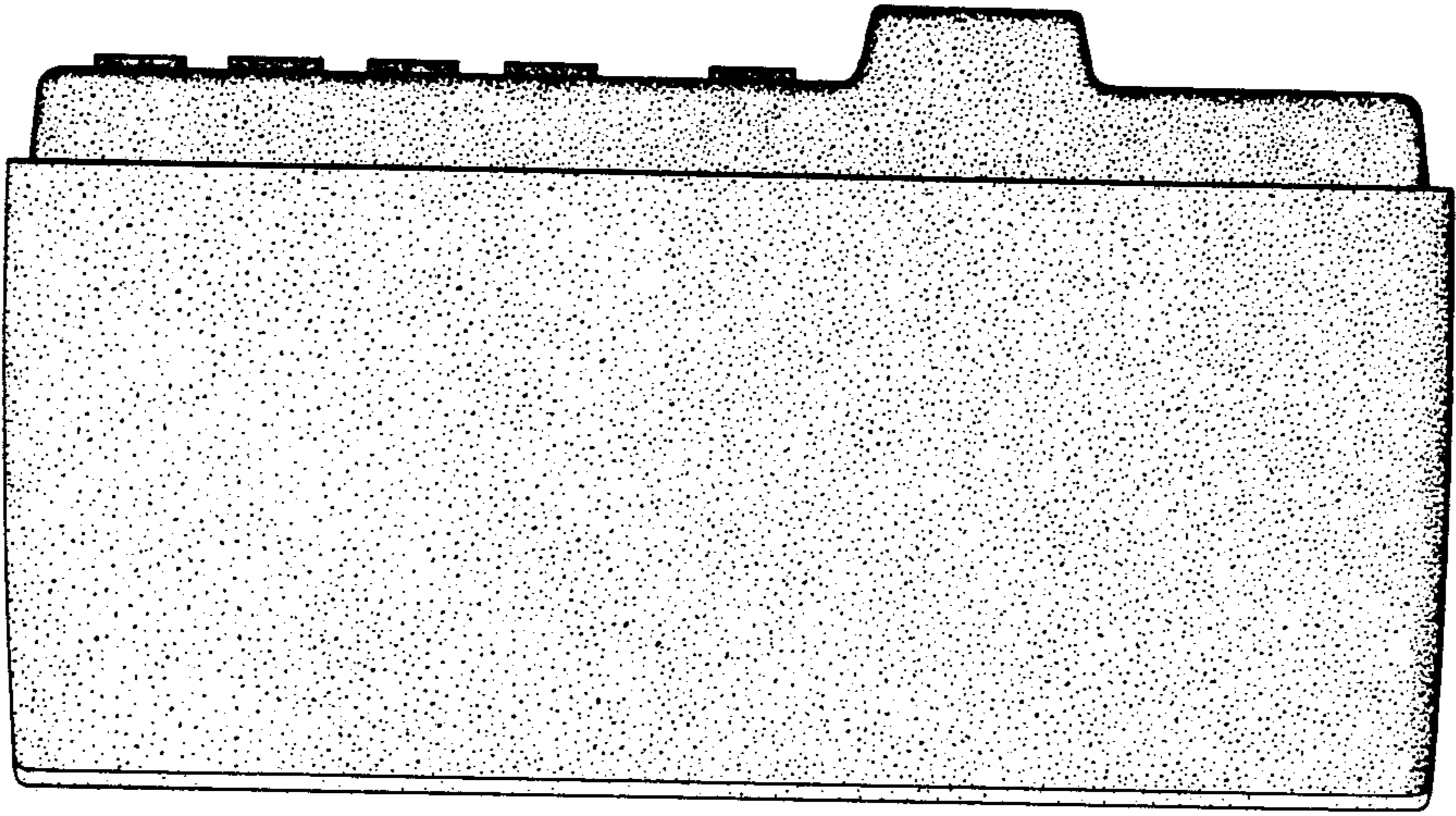


FIG. 4

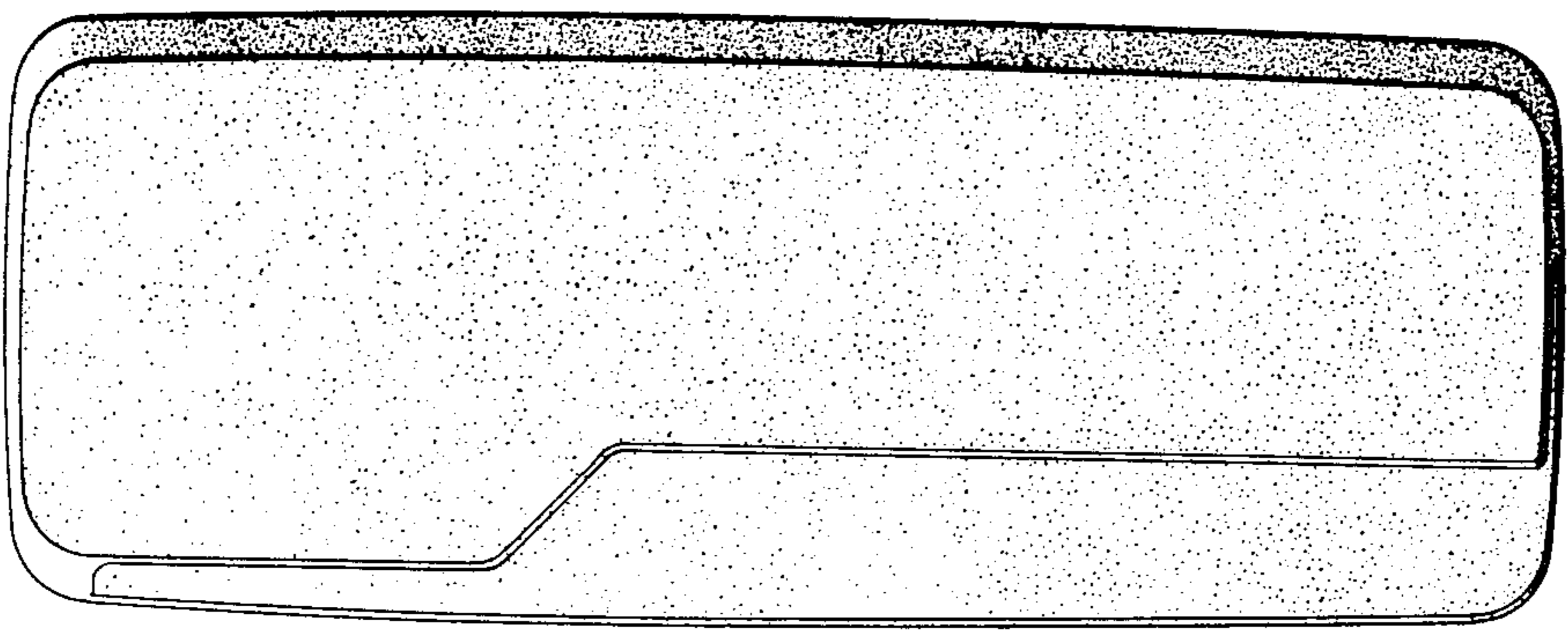


FIG. 6

