

[54] **PLAQUE**

[75] **Inventor:** James W. Price, Dallas, Tex.

[73] **Assignee:** Elevations/Design, Inc., Dallas, Tex.

[**] **Term:** 14 Years

[21] **Appl. No.:** 716,003

[22] **Filed:** Aug. 19, 1976

[51] **Int. Cl.** D11-02

[52] **U.S. Cl.** D11/140

[58] **Field of Search** D11/131, 132, 140, 157,
D11/164; D6/232-234, 238, 240-242, 244;
428/13, 14; 40/152, 158 R

[56]

References Cited

U.S. PATENT DOCUMENTS

D. 37,307	1/1905	Collins, Jr.	D6/241
D. 133,104	7/1942	Meyer	D11/164 X
2,545,804	3/1951	Butler	40/158 R
3,420,361	1/1969	Newberg	206/44.12

Primary Examiner—Louis S. Zarfes

Attorney, Agent, or Firm—Thomas D. Copeland, Jr.

[57]

CLAIM

The ornamental design of a plaque, as shown and described.

DESCRIPTION

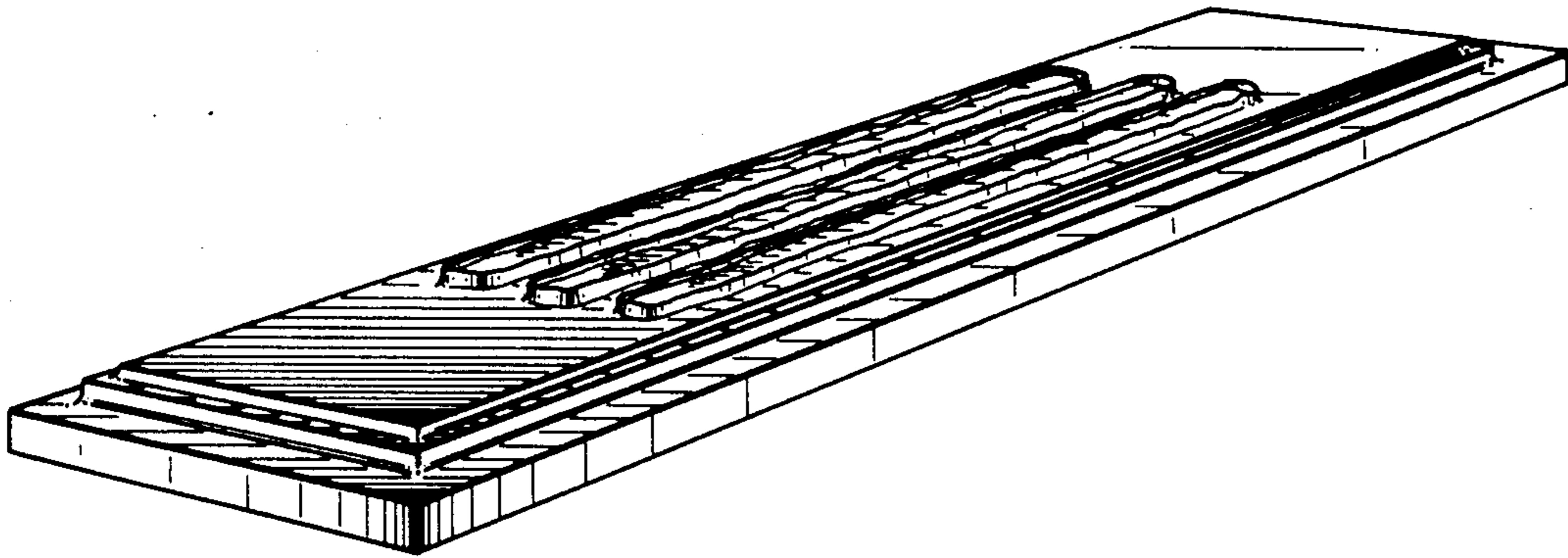
FIG. 1 is a front perspective view of a plaque, showing my new design;

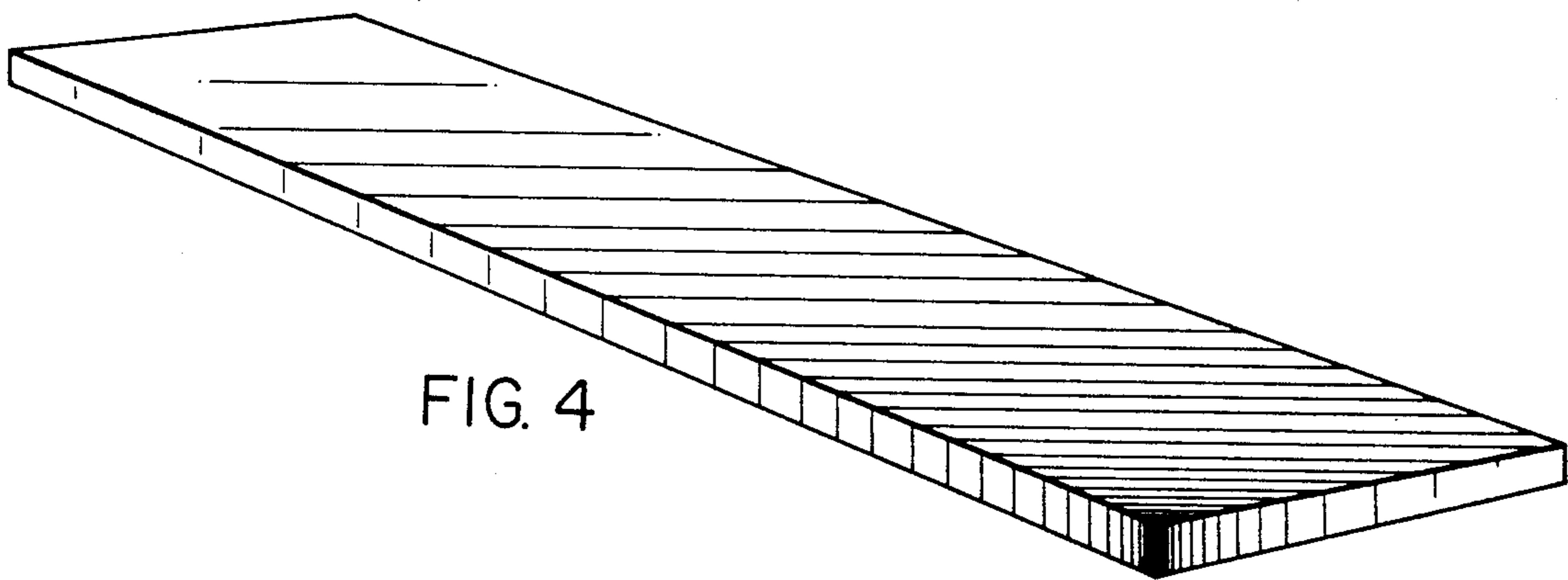
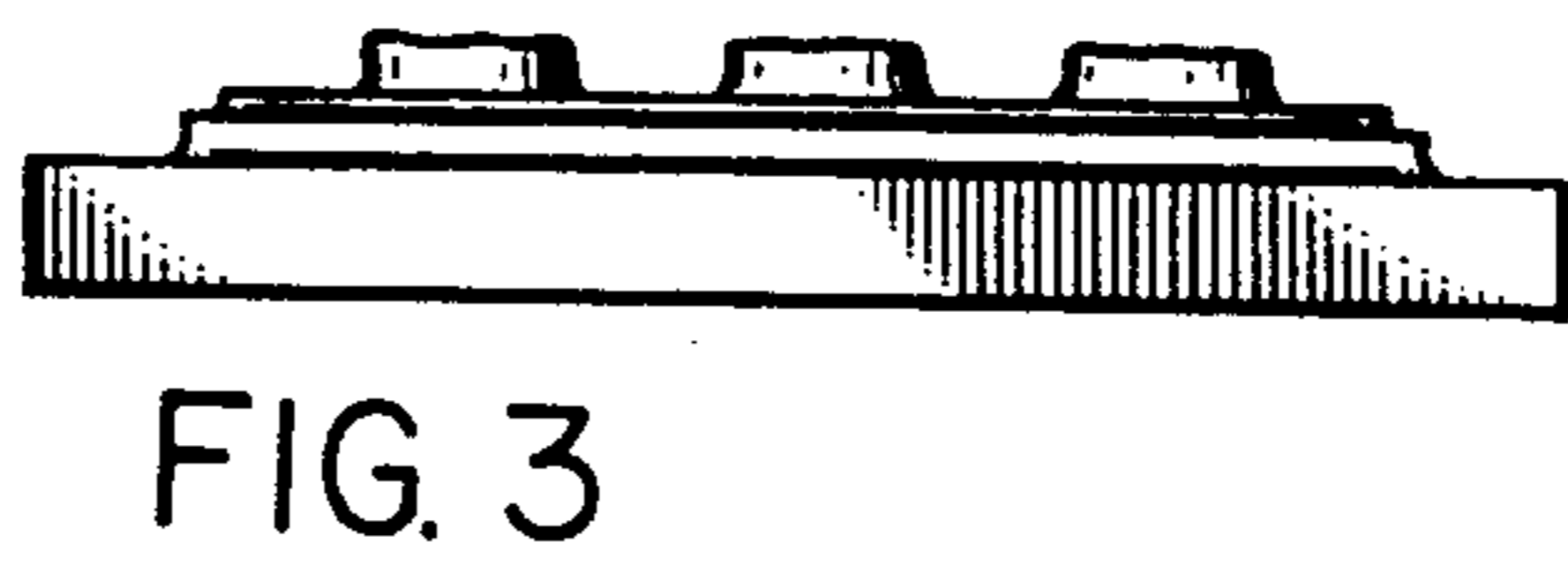
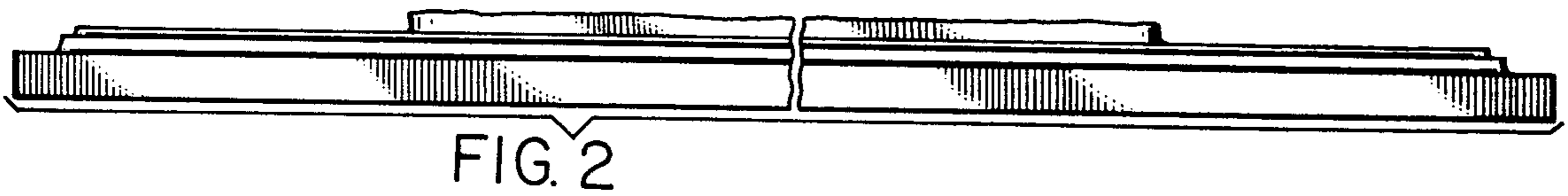
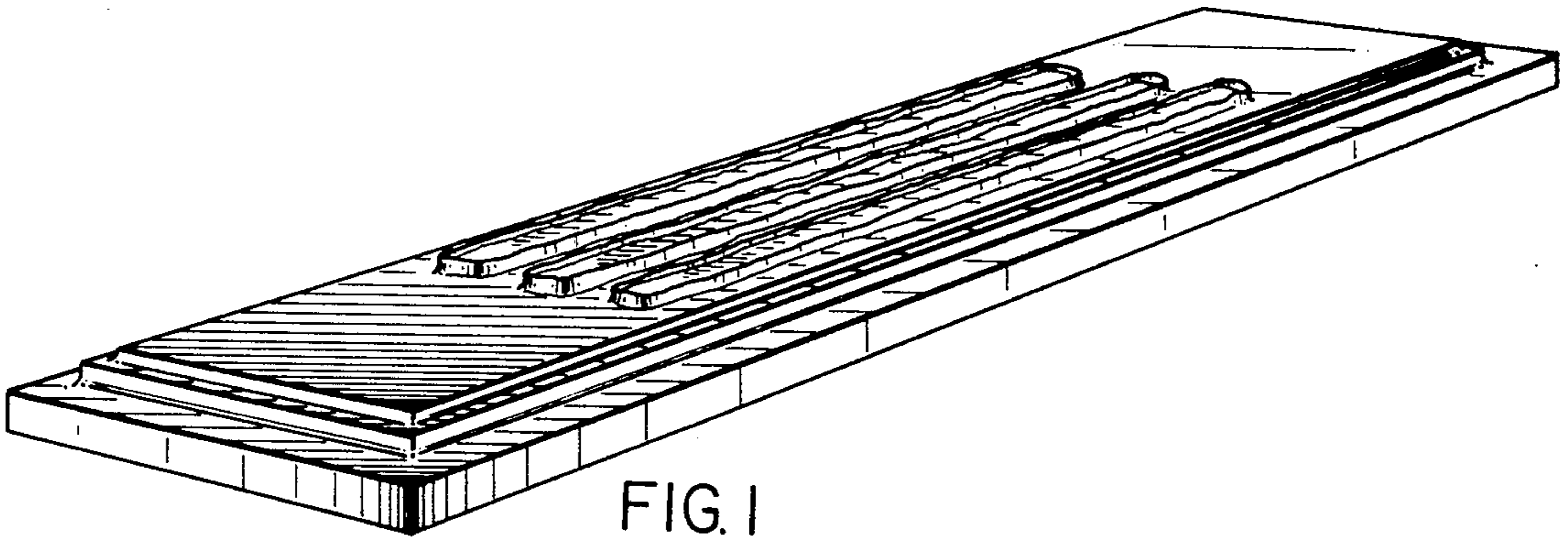
FIG. 2 is a side elevational view thereof, the center broken away for convenience of illustration;

FIG. 3 is an end elevational view thereof;

FIG. 4 is a rear perspective view thereof; and

FIG. 5 is a front elevational view thereof.





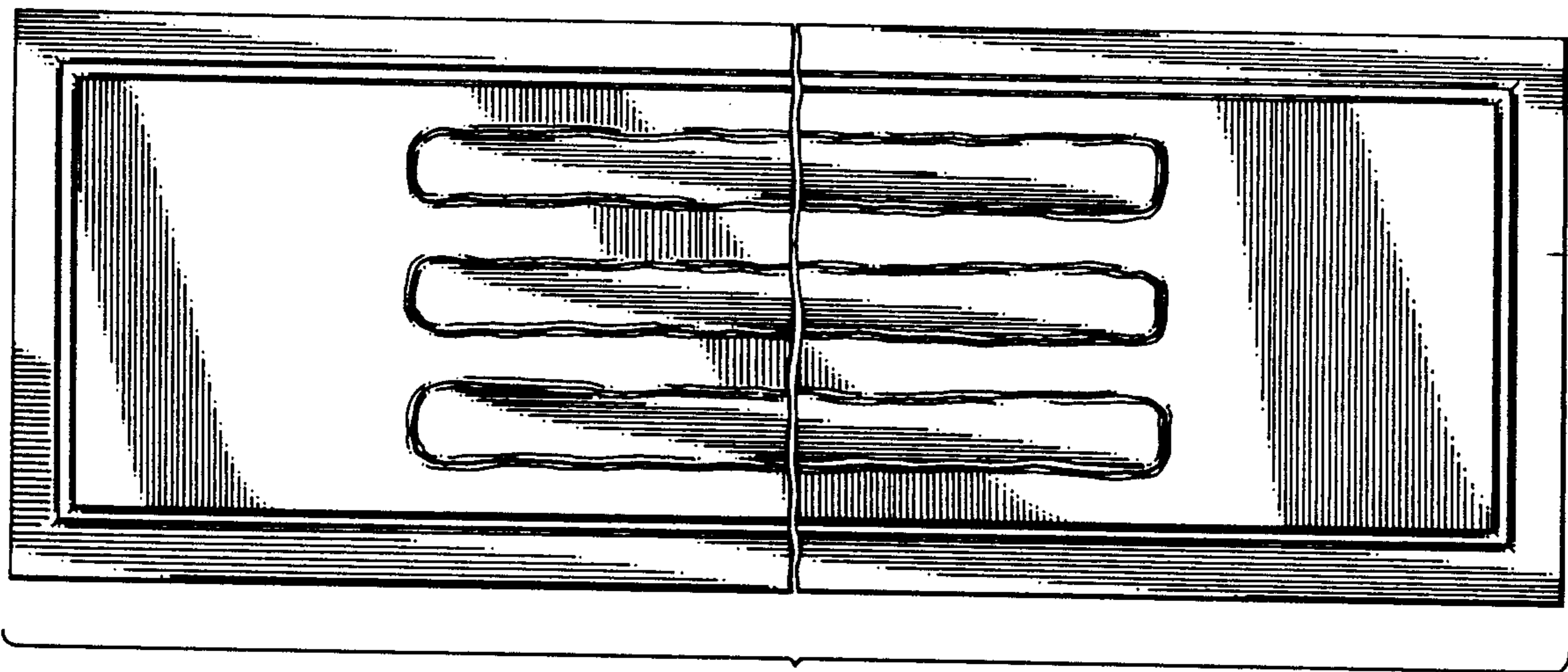


FIG. 5