

[54] SOIL HUMIDITY METER

[75] Inventor: Villi Johansen, Sjaelland, Denmark

[73] Assignee: Substral International, Pernille S.A.,
Fribourg, Switzerland

[**] Term: 7 Years

[21] Appl. No.: 742,166

[22] Filed: Nov. 15, 1976

[51] Int. Cl. D10-04

[52] U.S. Cl. D10/56

[58] Field of Search D10/56, 46, 52-53,
D10/57, 60, 75, 77, 78, 80, 81, 102, 103; 73/73,
335, 336, 336.5; 116/116; 329/61, 61 P, 65, 157,
149

[56] References Cited

U.S. PATENT DOCUMENTS

D. 242,603 12/1976 Horton D10/53

OTHER PUBLICATIONS

Electronic Technician/Dealer, 1/75, p. 42—Multimeter
at top center.

Retailing Home Furnishings, 1/17/77—Sec. 3—p. 54—
Soil Moisture Sensor at left.

Primary Examiner—Nelson C. Holtje
Attorney, Agent, or Firm—Leonard J. Robbins

[57] CLAIM

The ornamental design for a soil humidity meter, as
shown.

DESCRIPTION

FIG. 1 is a top and right front perspective view of a soil
humidity meter showing my new design;
FIG. 2 is a bottom and left rear perspective view
thereof.

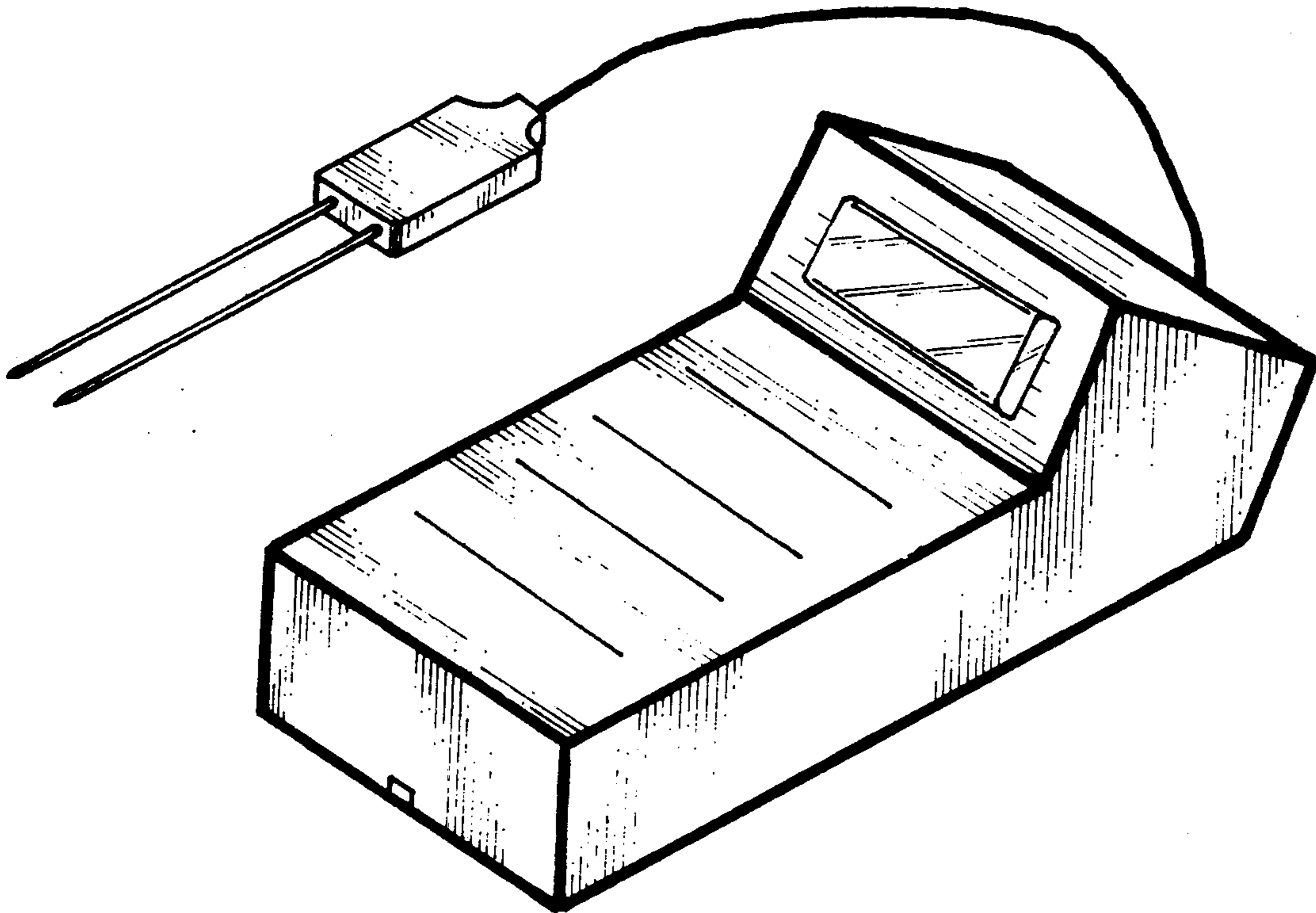


Fig. 1

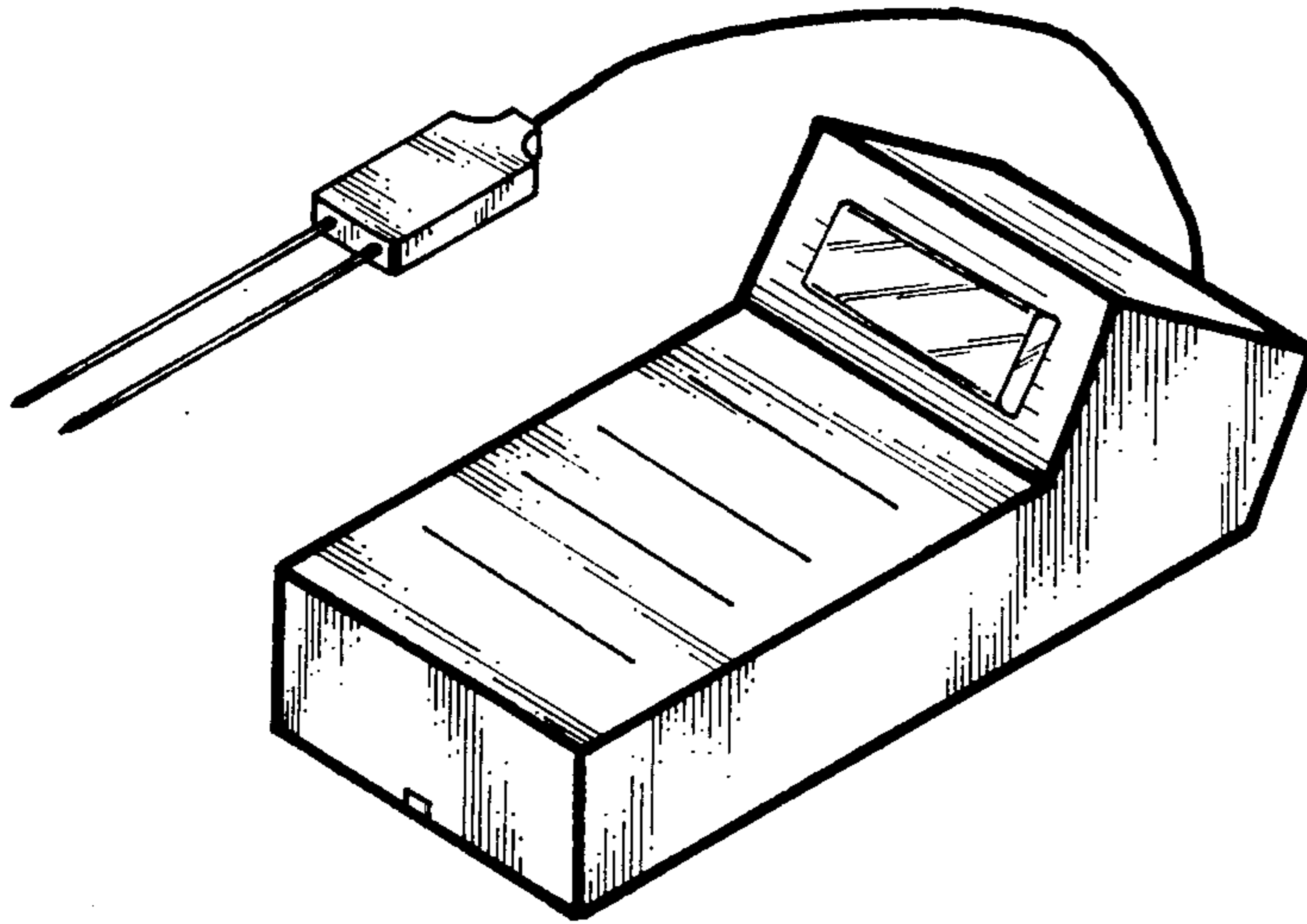


Fig. 2

