

[54] COMPARTMENTED FOOD PACKAGE

[76] Inventors: David S. Stone; Maurice A. Sokoloff, both of 31-11 92nd St., Jackson Heights, N.Y. 11369

[\*\*] Term: 14 Years

[21] Appl. No.: 790,370

[22] Filed: Apr. 25, 1977

[51] Int. Cl. .... D9-03

[52] U.S. Cl. .... D9/187; D7/38; D9/219; D9/240

[58] Field of Search ..... 229/3.5 MF; D7/43, 76, D7/96, 37, 38, 41; D9/219, 182, 183, 192, 222, 184, 187, 185, 239, 237, 240; D87/1 R

[56] References Cited

U.S. PATENT DOCUMENTS

D. 87,540 8/1932 Picker ..... D7/38

D. 137,262	2/1944	Hiemenz	.....	D7/76
D. 201,644	7/1965	Cave	.....	D9/219
1,438,487	12/1922	Greene	.....	206/484 X
1,834,413	12/1931	Michelin	.....	D9/239 X
2,557,141	6/1951	Rebora	.....	206/484 X
3,511,433	5/1970	Andrews et al.	.....	D9/182 X

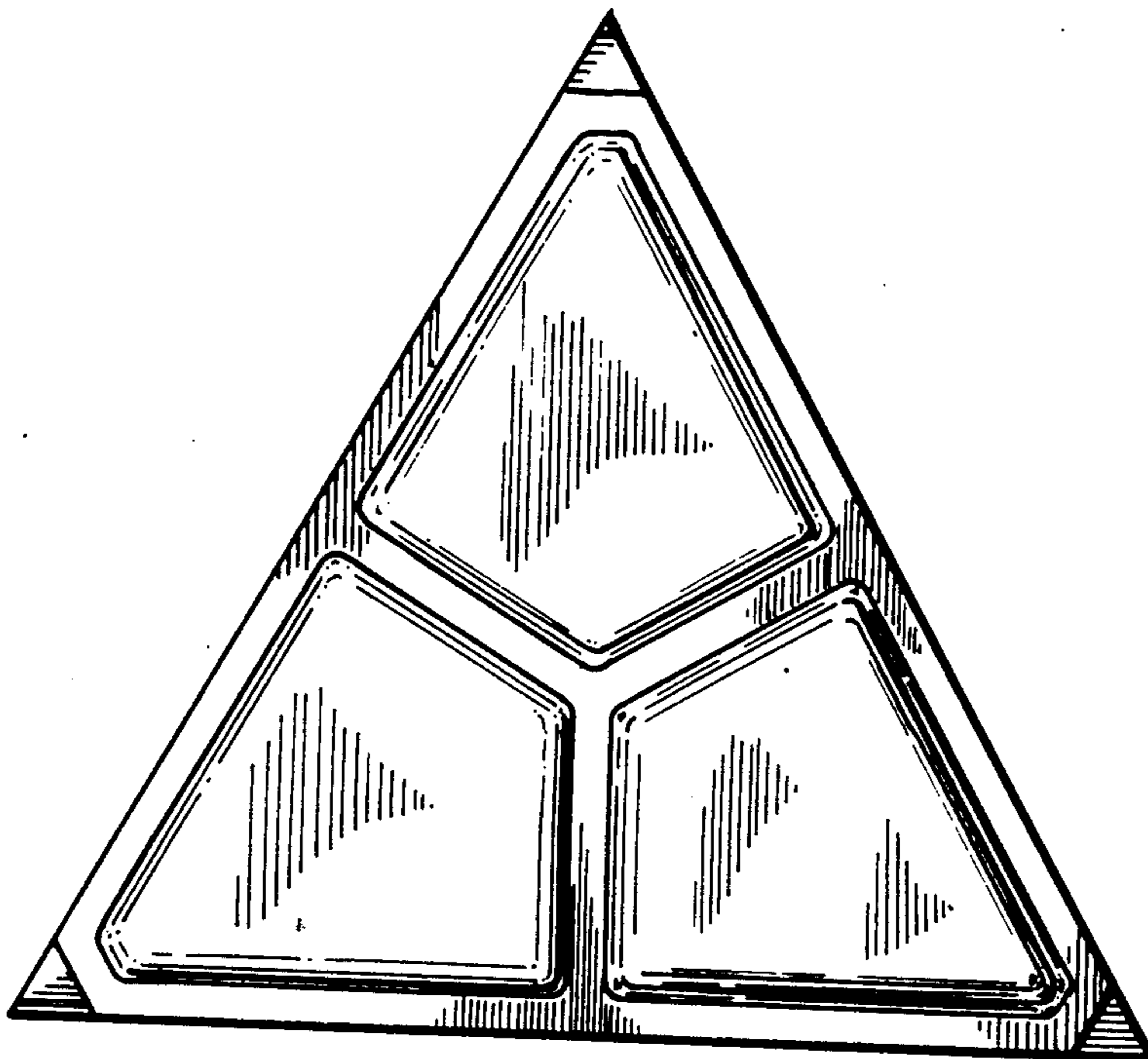
Primary Examiner—Winifred E. Herrmann  
Attorney, Agent, or Firm—Arnold Sprung

[57] CLAIM

The ornamental design for a compartmented food package, as shown.

DESCRIPTION

FIG. 1 is a top plan view of a compartmented food package showing our new design; FIG. 2 is a side elevational view thereof taken along line 2—2 of FIG. 1; FIG. 3 is a bottom plan view thereof; and FIG. 4 is a side elevational view thereof taken along line 4—4 of FIG. 1.



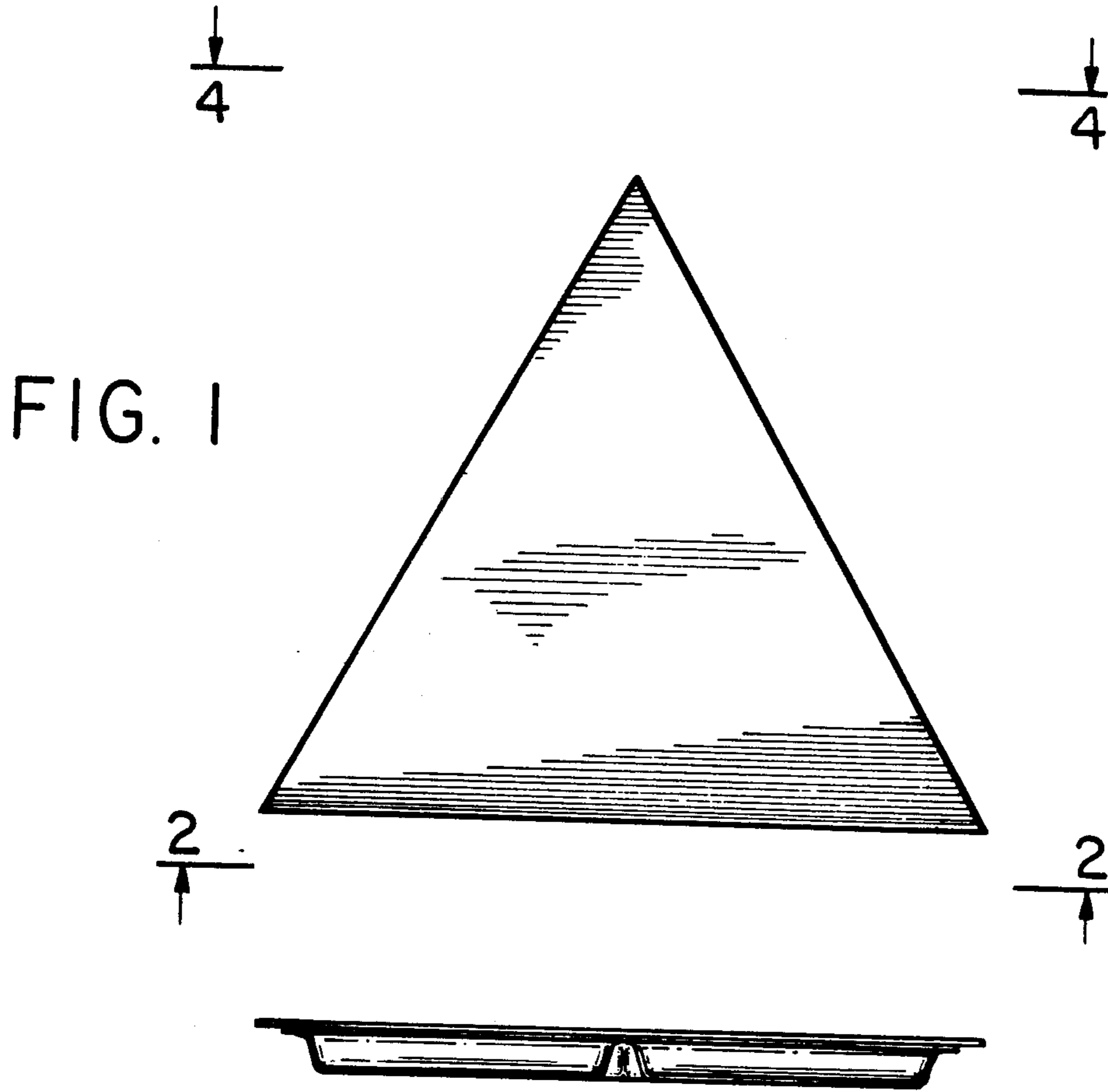


FIG. 1



FIG. 2



FIG. 4

FIG. 3

