

[54] SUPPORT FOR TUBES

[75] Inventor: **Lars-Olov H. Lindblom, Husum, Sweden**

[73] Assignee: **LOLAB, Sweden**

[**] Term: **14 Years**

[21] Appl. No.: **553,162**

[22] Filed: **Feb. 26, 1976**

[51] Int. Cl. **D8—08**

[52] U.S. Cl. **D8/356; D8/380; D8/396**

[58] Field of Search **D8/356, 373, 380, 383, D8/396; 248/58, 61, 62, 63, 65, 74 R, 74 B; 24/279**

[56] **References Cited**

U.S. PATENT DOCUMENTS

2,550,001	4/1951	Button	248/74 R
3,022,971	2/1962	Cote	248/58
3,913,876	10/1975	McSherry	248/68 R

Primary Examiner—Wallace R. Burke
Assistant Examiner—James M. Gandy
Attorney, Agent, or Firm—William A. Drucker

[57] **CLAIM**

The ornamental design for a support for tubes, as shown.

DESCRIPTION

FIG. 1 is a perspective view of a support for tubes showing my new design; it being understood that the broken lines are for illustrative purposes only; FIG. 2 is a perspective view thereof showing the side opposite to that shown in FIG. 1; and FIG. 3 is a bottom plan view thereof;

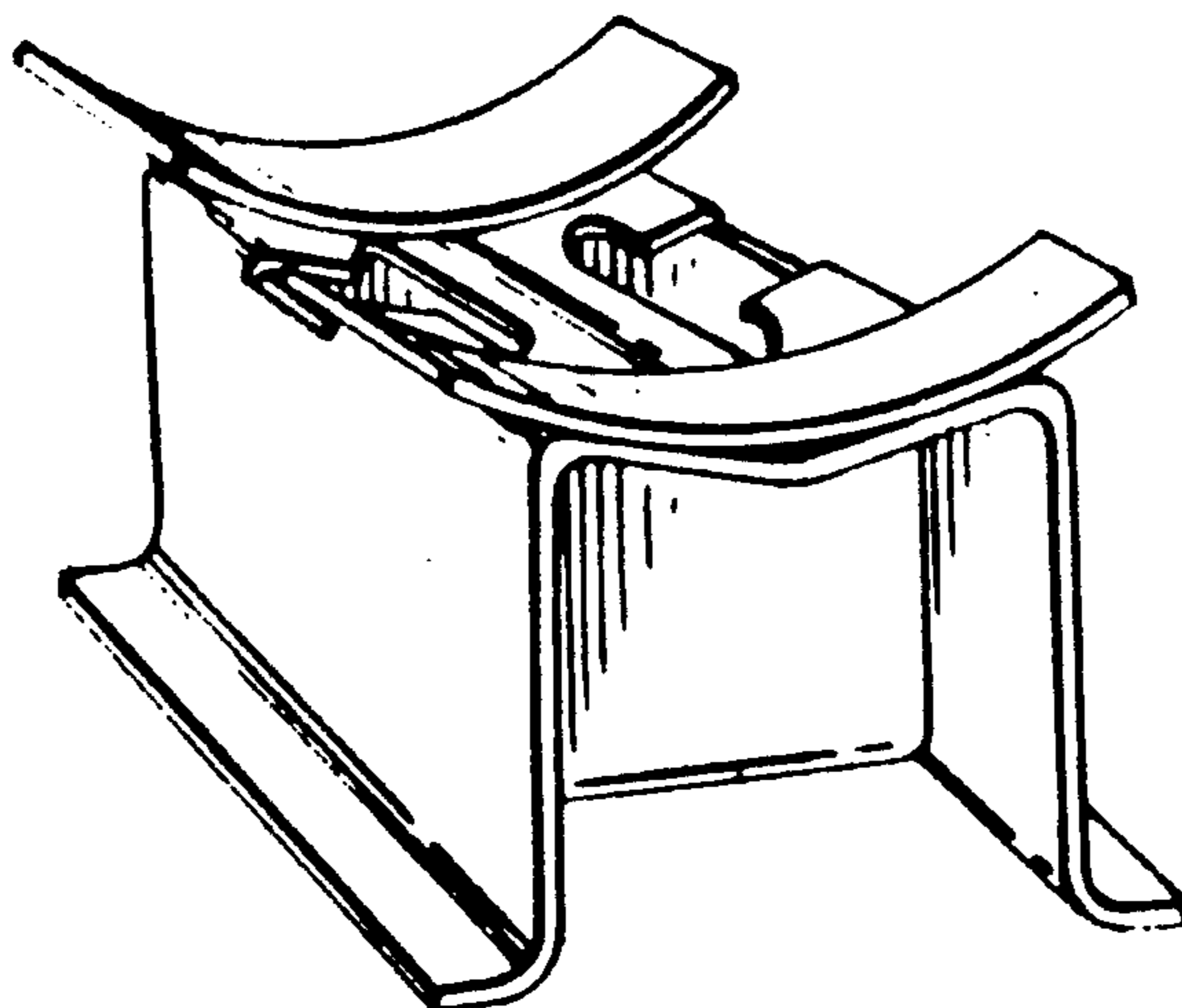


FIG. 1

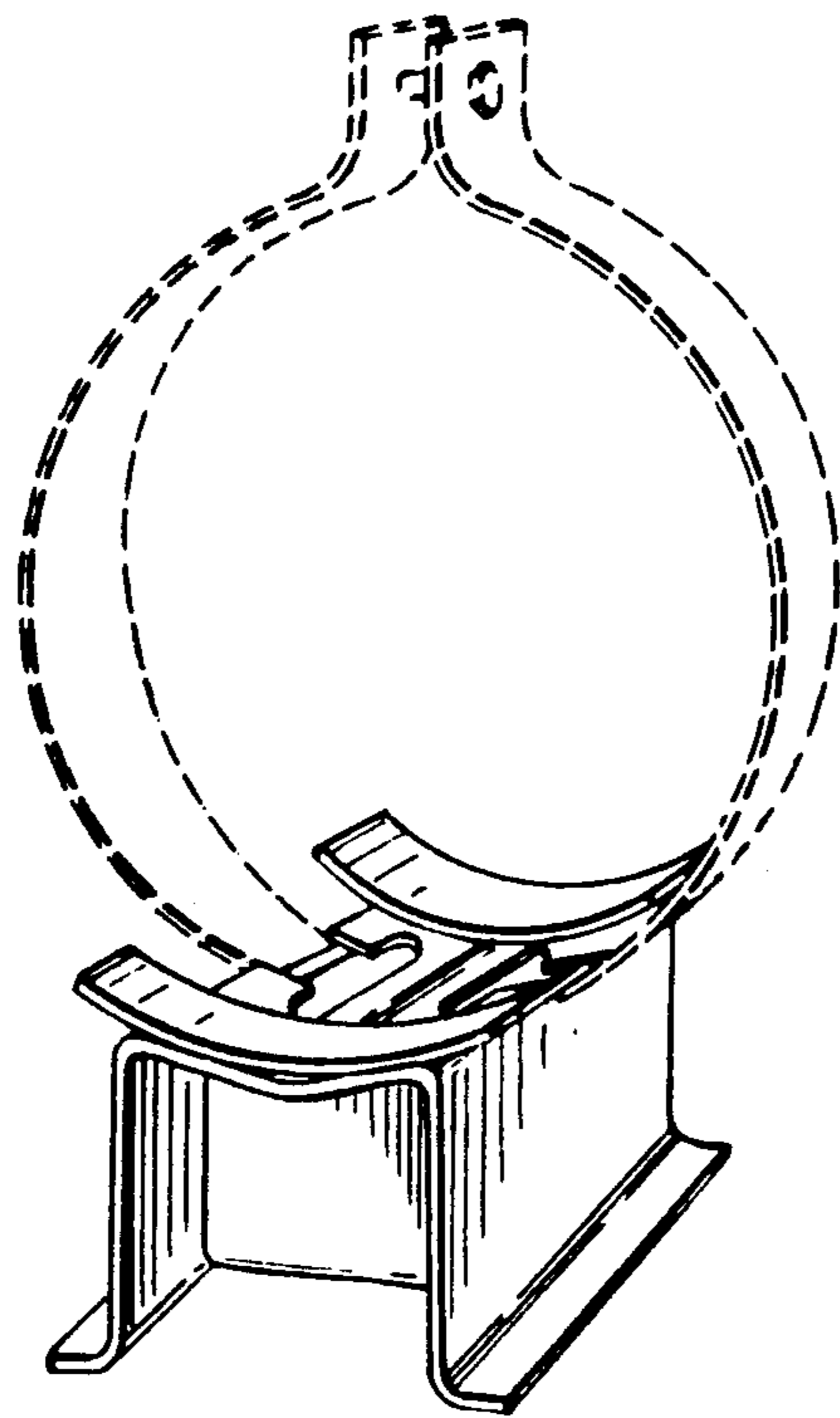


FIG. 2

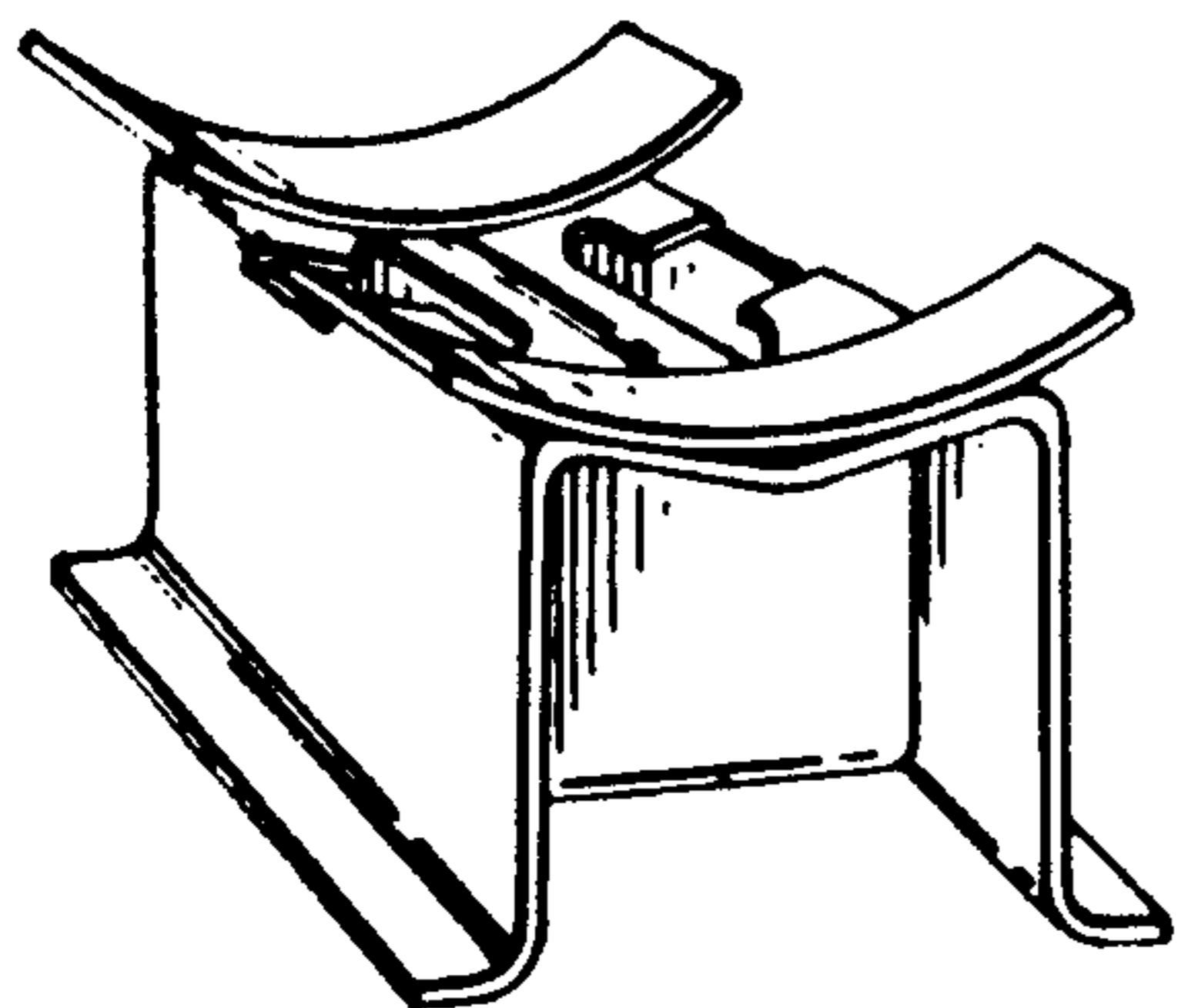


FIG. 3

