

[54] BIN COVER

[75] Inventors: Robert J. Fagliano, Walnut Creek; Ross C. Burkhardt, Berkeley; Bruce W. Scharmer, San Ramon, all of Calif.

[73] Assignee: E-Z Lift Corporation, Walnut Creek, Calif.

[\*\*] Term: 14 Years

[21] Appl. No.: 729,853

[22] Filed: Oct. 4, 1976

[51] Int. Cl. .... D7-99

[52] U.S. Cl. .... D7/194

[58] Field of Search ..... D7/16, 76, 77, 82, 131, D7/189-194, 126-128; 220/1 R, 1 T, 1.5, 200; 229/43; D9/267, 254, 246; 99/422, 425, 444-446

[56]

References Cited

U.S. PATENT DOCUMENTS

D. 10,275	10/1877	Fuchs .....	D9/237
D. 226,328	2/1973	Patton et al. ....	D7/194
D. 241,802	10/1976	Beaubian .....	D7/77
3,618,803	11/1971	Dobberkay et al. ....	220/1.5
3,937,355	2/1976	Engebretsen .....	220/1 T X

Primary Examiner—Robert C. Spangler  
Attorney, Agent, or Firm—Martin Majestic

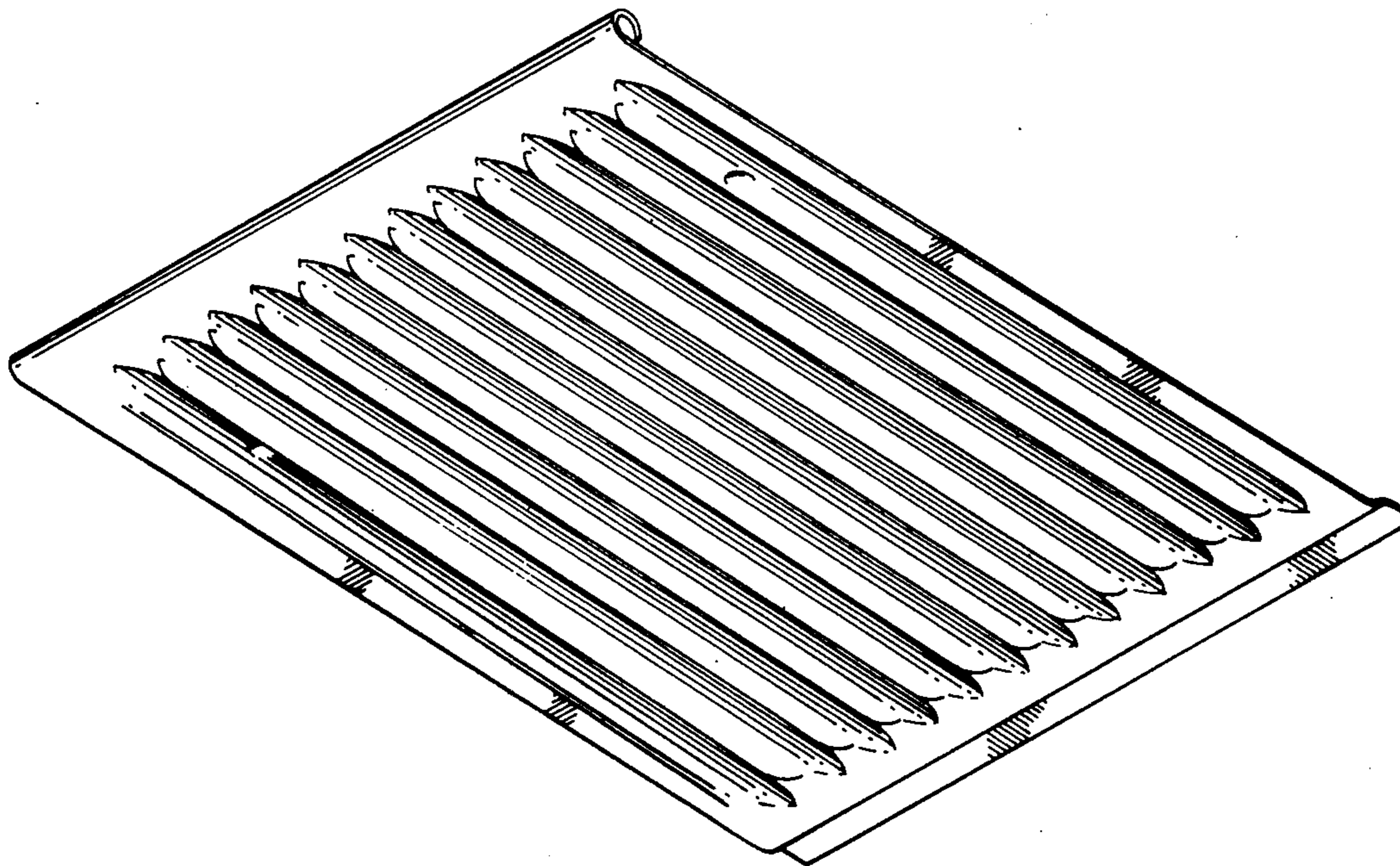
[57]

CLAIM

The ornamental design for a bin cover, substantially as shown.

DESCRIPTION

FIG. 1 is a top isometric view of a bin cover showing our new design;  
FIG. 2 is a side elevational view;  
FIG. 3 is an end elevational view; and  
FIG. 4 is a bottom isometric view thereof.



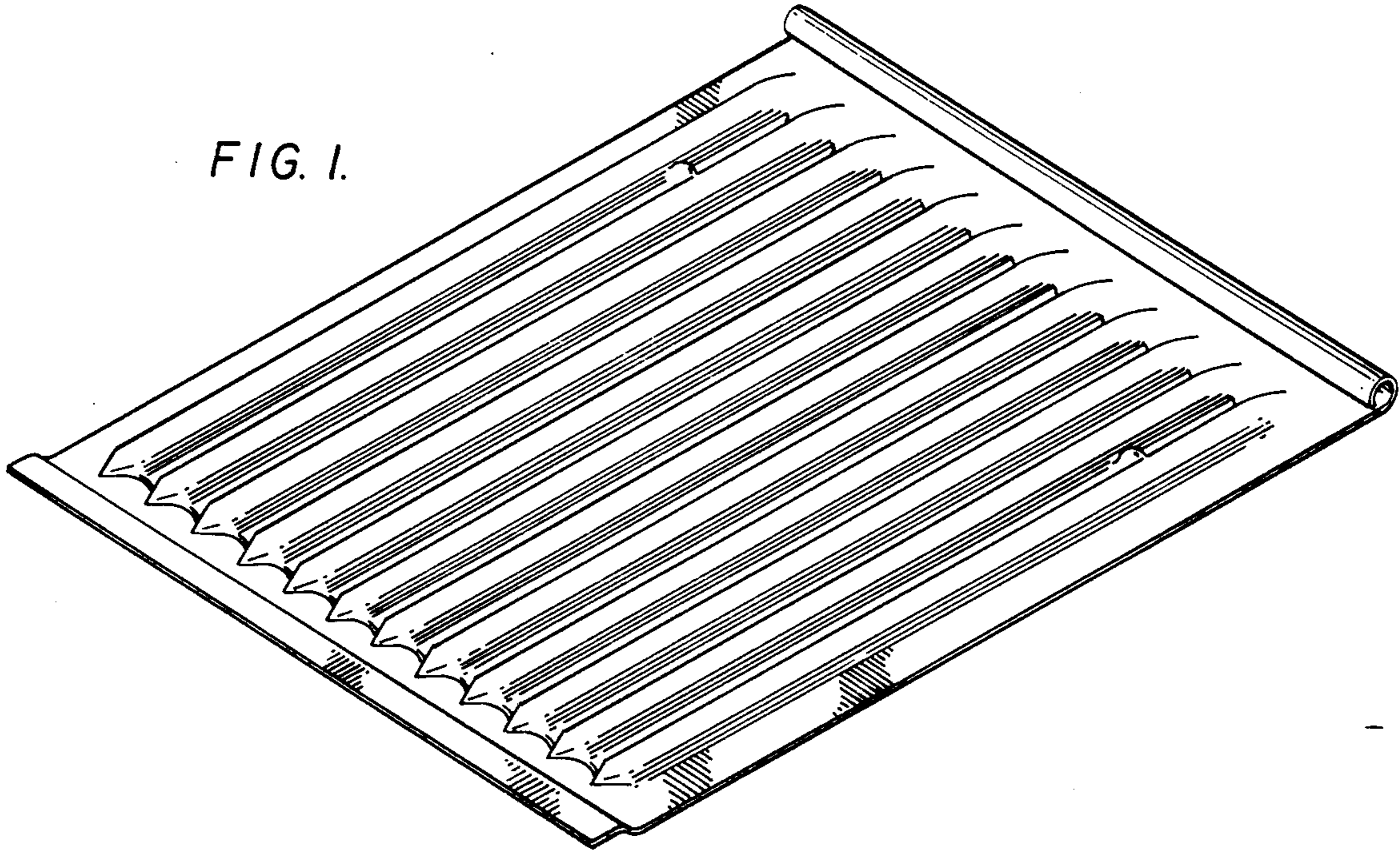


FIG. 2.

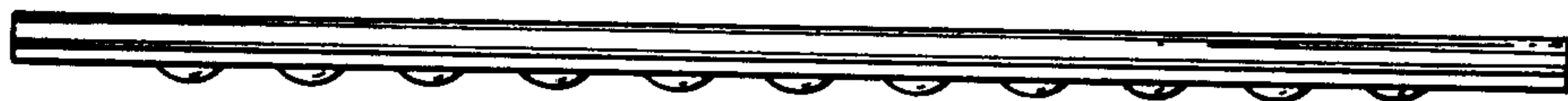


FIG. 3.

