

- [54] CANISTER BIN
- [75] Inventor: William D. Taylor, Wooster, Ohio
- [73] Assignee: Rubbermaid Incorporated, Wooster, Ohio
- [**] Term: 14 Years
- [21] Appl. No.: 741,773
- [22] Filed: Nov. 15, 1976
- [51] Int. Cl. D7-07
- [52] U.S. Cl. D7/79; D7/18
- [58] Field of Search D7/79, 80, 81, 82, 131, D7/40, 16, 17, 18, 76

- [56] **References Cited**
- U.S. PATENT DOCUMENTS**
- | | | | |
|------------|---------|---------------|---------|
| D. 107,565 | 12/1937 | Titze | D7/18 |
| D. 200,969 | 4/1965 | Wildgen | D7/79 |
| 3,252,404 | 5/1966 | Cox | D7/40 X |

OTHER PUBLICATIONS

Housewares Review, Jul., 1965, p. 43, Flambeau Plastics Adv., canisters at bottom-middle.

Anchor Hocking 67 Catalog, p. 78, Item#60, 2 gal. jar in middle r. panel, jar at left.

Primary Examiner—Winifred E. Herrmann
Attorney, Agent, or Firm—E. R. Hamilton

[57] **CLAIM**

The ornamental design for a canister bin, as shown and described.

DESCRIPTION

FIG. 1 is a side elevational view of a canister bin embodying my new design.

FIG. 2 is a front elevational view as on line 2 — 2 of FIG. 1.

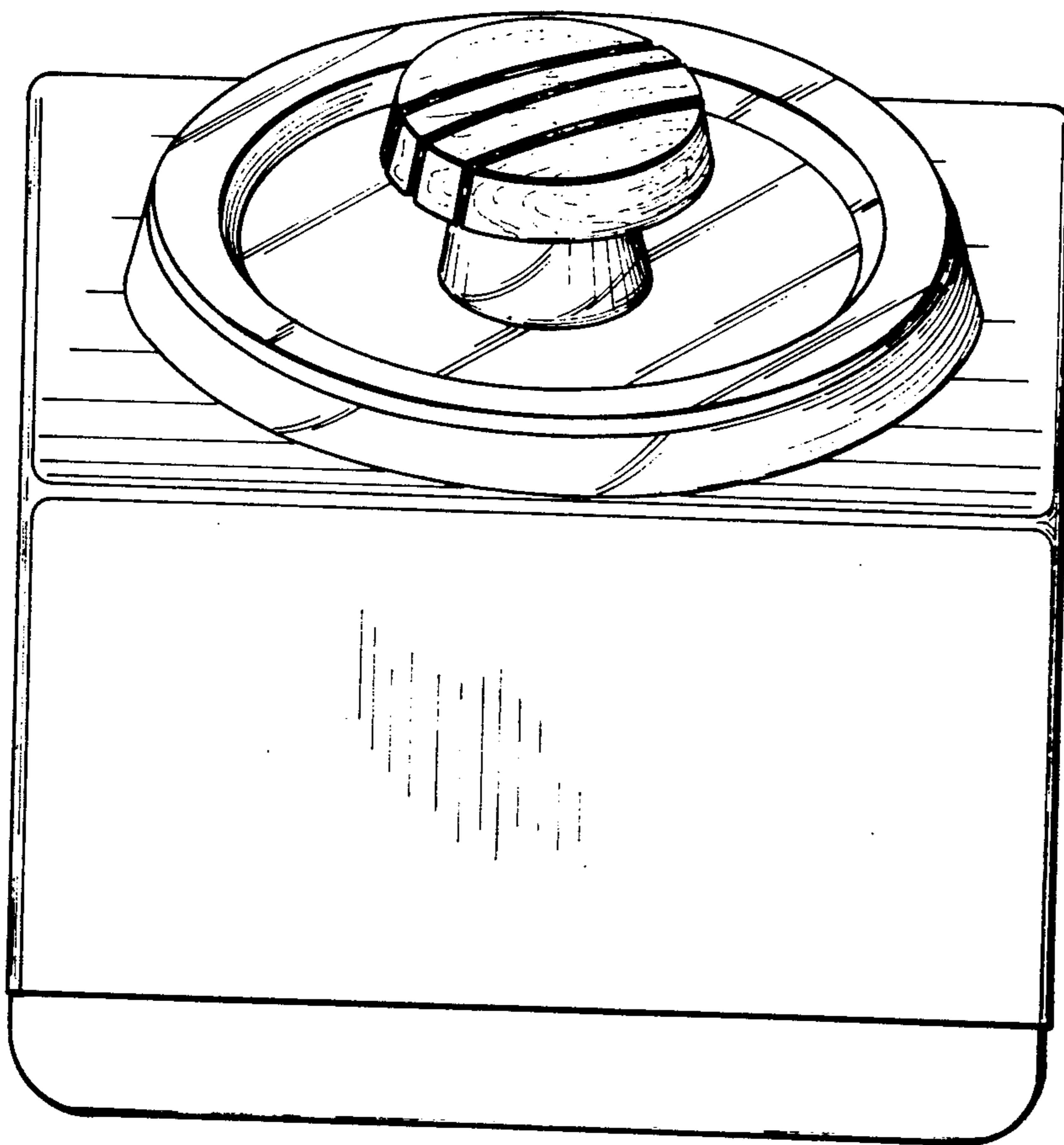
FIG. 3 is a rear elevational view as on line 3 — 3 of FIG. 1.

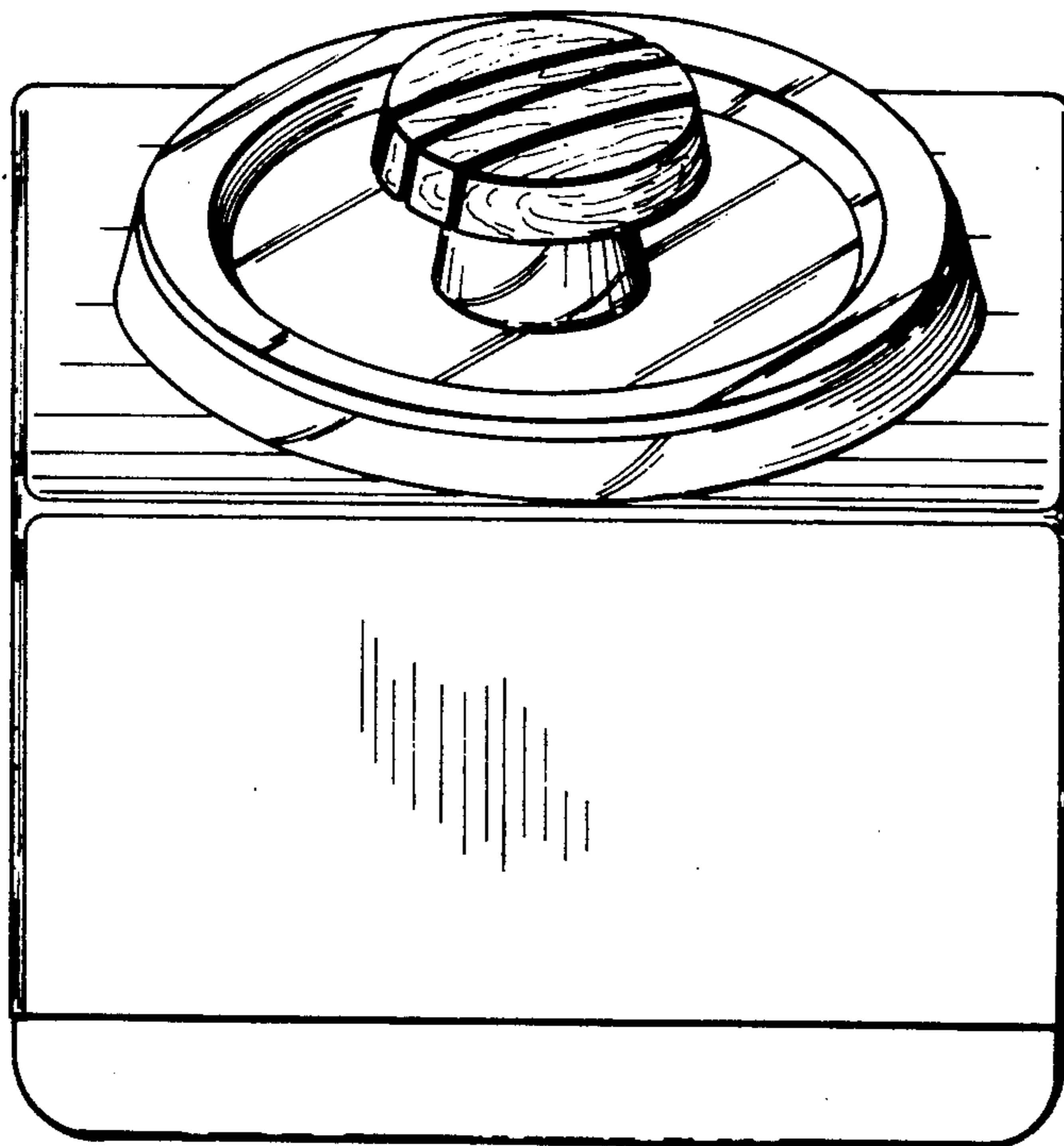
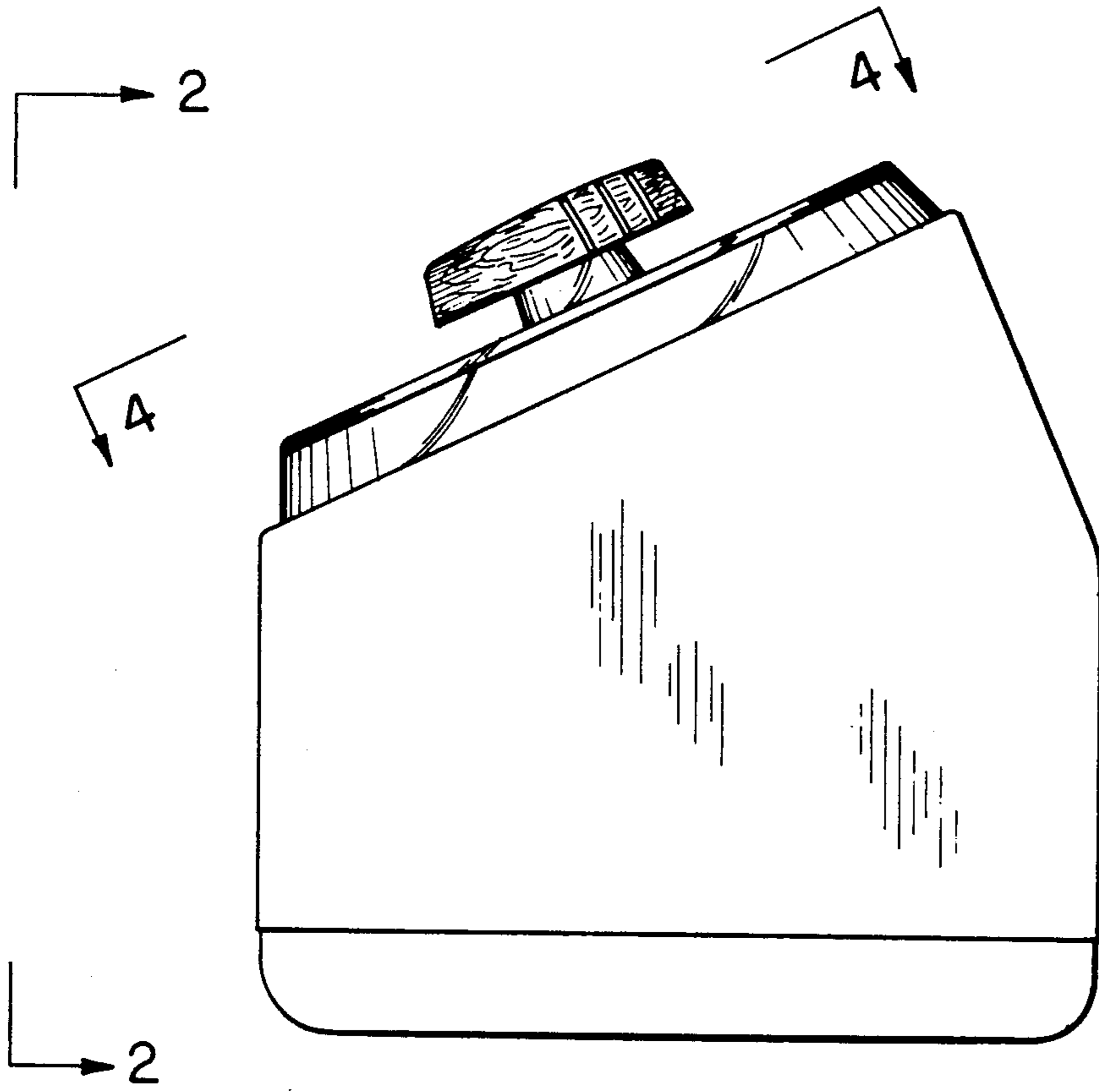
FIG. 4 is an elevational view from the top and in the direction of line 4 — 4 of FIG. 1, the lid having been omitted.

FIG. 5 is a bottom plan view of the lid on an enlarged scale.

FIG. 6 is a cross-sectional view of the lid taken on line 6 — 6.

The bottom surface of the bin is flat.





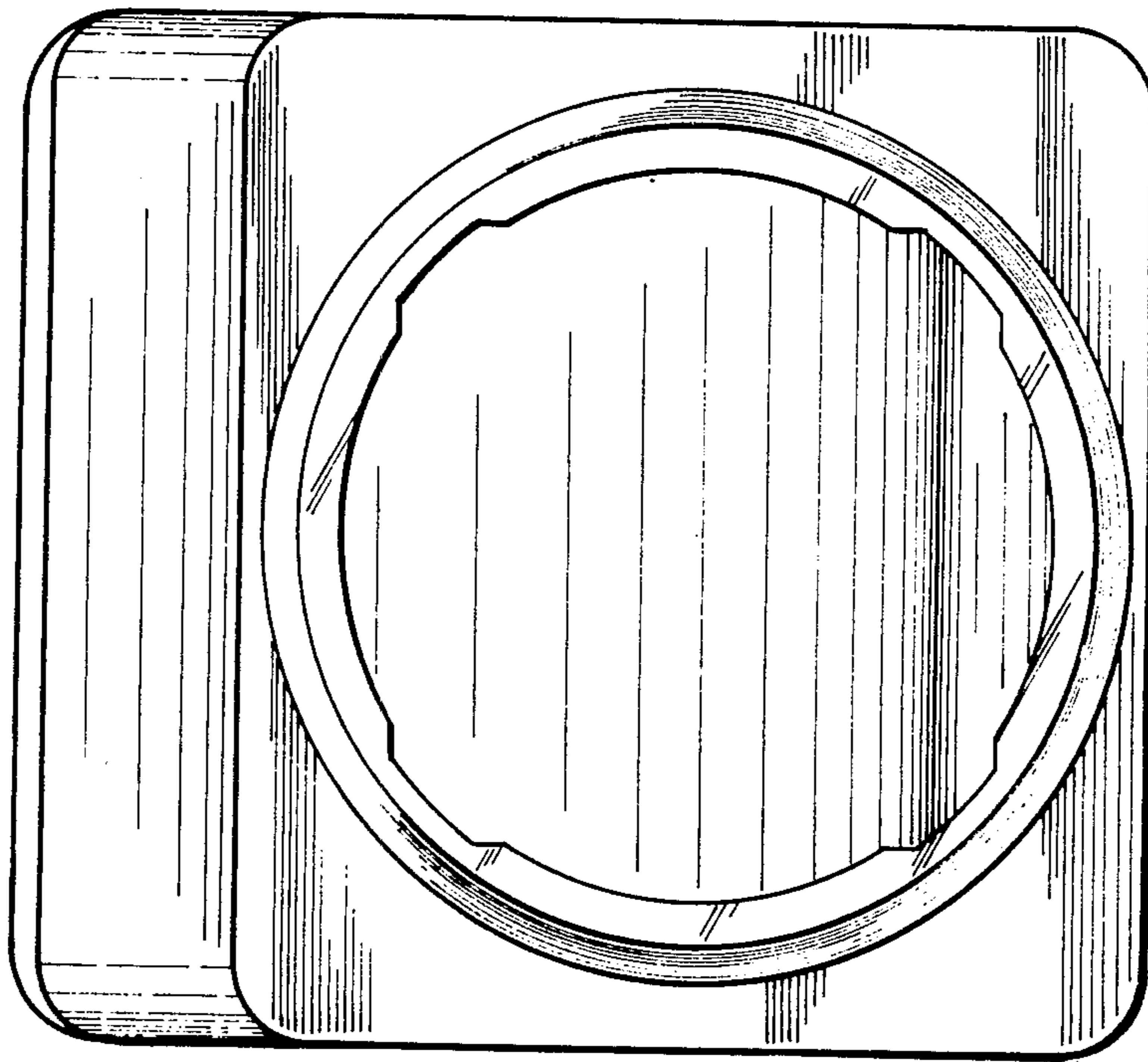


FIG. 4

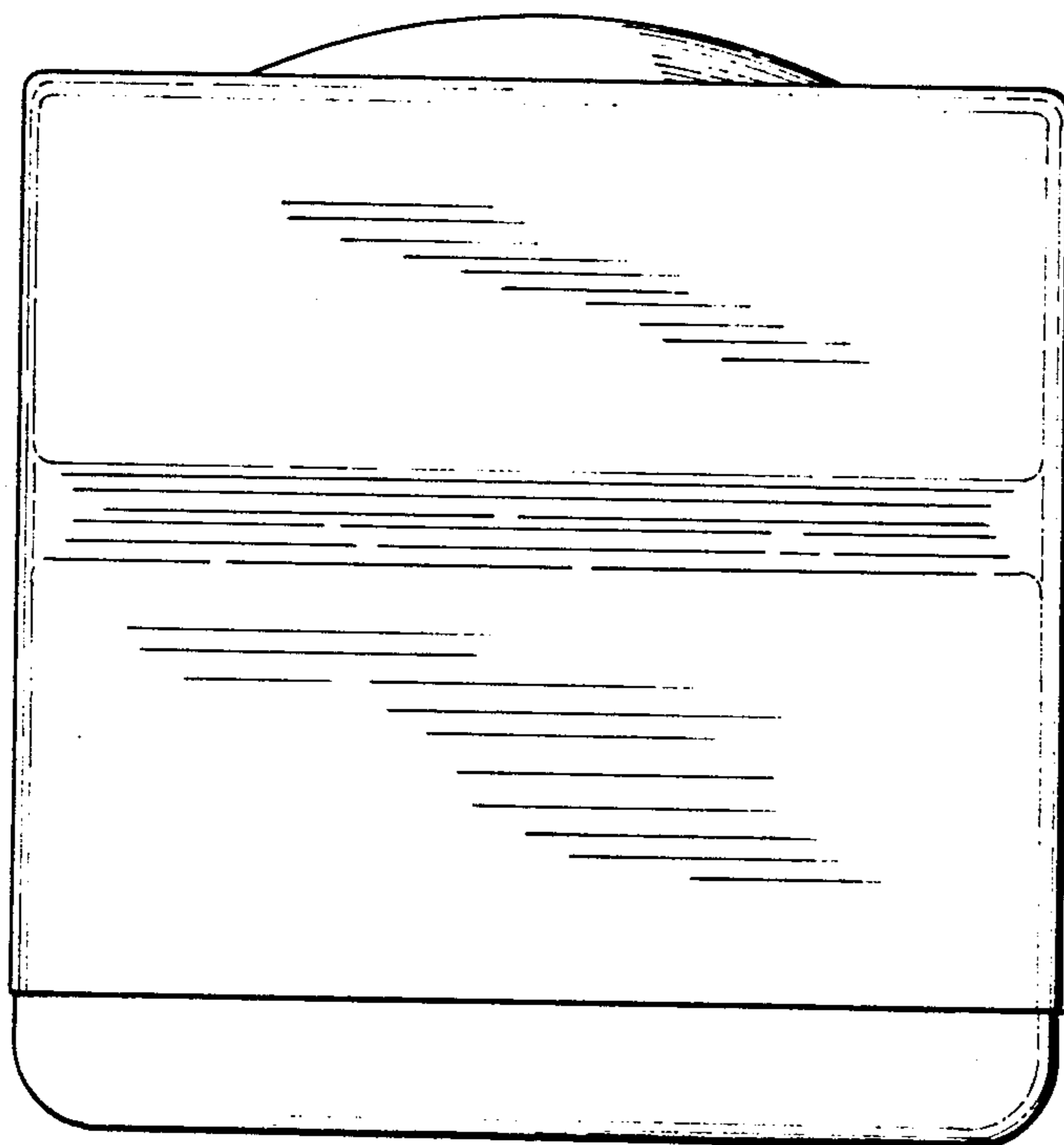


FIG. 3

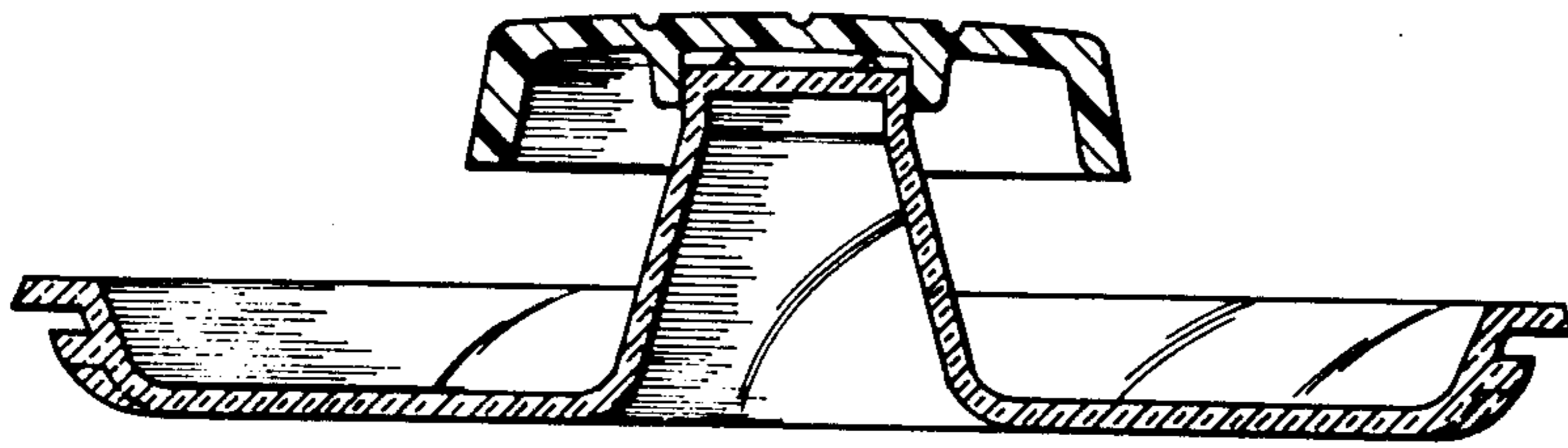


FIG. 6

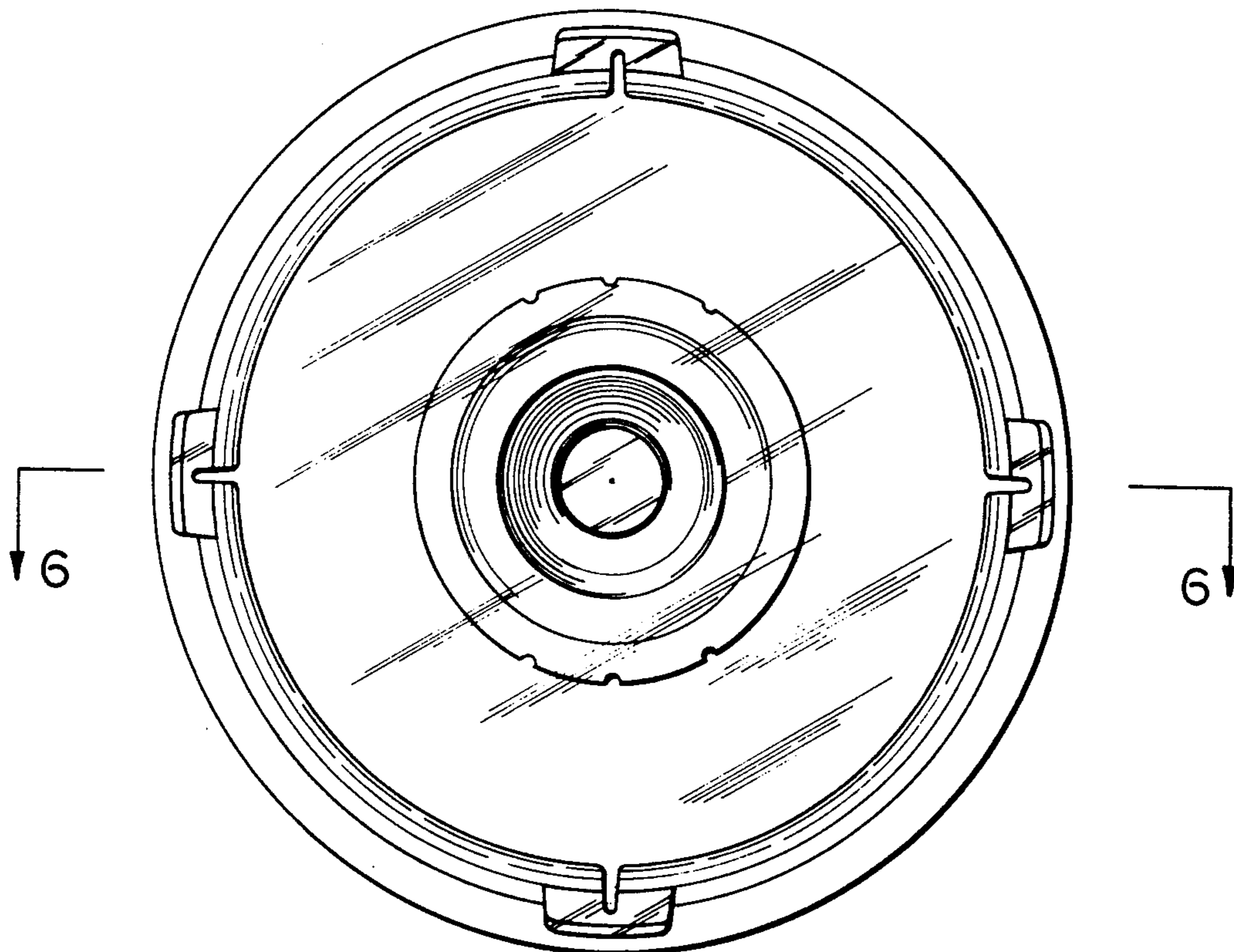


FIG. 5