

[54] COMBINED COCKTAIL TABLE, OTTOMAN, REMOVABLE TRAY AND STORAGE CHEST UNIT

[75] Inventor: Bernard Castro, Long Island, N.Y.

[73] Assignee: Castro Convertible Corporation, New Hyde Park, N.Y.

[**] Term: 14 Years

[21] Appl. No.: 728,021

[22] Filed: Sep. 30, 1976

[51] Int. Cl. D6-05

[52] U.S. Cl. D6/4; D6/36; D6/42; D6/64; D6/199

[58] Field of Search D6/32-36, D6/64, 148, 149, 167, 3, 4; D12/25, 29

[56] References Cited

U.S. PATENT DOCUMENTS

D.151,662	11/1948	Smead	D6/36
D. 173,074	9/1954	McMaster	D6/36
D. 184,081	12/1958	Belz	D6/36
D. 206,657	1/1967	Vranesh	D6/36 X

OTHER PUBLICATIONS

"Selig Monroe", p. M151A, Ottoman, No. 582-20.

Primary Examiner—Bruce W. Dunkins

Attorney, Agent, or Firm—Arthur V. Smith

[57] CLAIM

The ornamental design for a combined cocktail table, ottoman, removable tray and storage chest unit, substantially as shown and described.

DESCRIPTION

FIG. 1 is a perspective view of the combined cocktail table, ottoman, removable tray and storage chest unit; FIG. 2 is a perspective view, similar to that of FIG. 1, of the combined cocktail table, ottoman, removable tray and storage chest unit. The cushion shown resting upon the tray top in FIG. 1 is removed in FIG. 2 to convert the smaller unit from an ottoman into a cocktail table; FIG. 3 is a perspective exploded view of the combined cocktail table, ottoman, removable tray and storage chest unit showing how the tray is removable from the remainder of the unit to open a storage chest in the unit; and

FIG. 4 is a cross-sectional view on an enlarged scale and taken along the line 4-4 of FIG. 1.

The right side and rear surfaces of the combined cocktail table, ottoman, removable tray and storage chest unit shown in FIGS. 1 through 4 are not shown in the drawing because they are mirror images of the opposite surfaces which are shown in the drawings. The bottom of the latter unit is not shown because it is essentially unadorned.

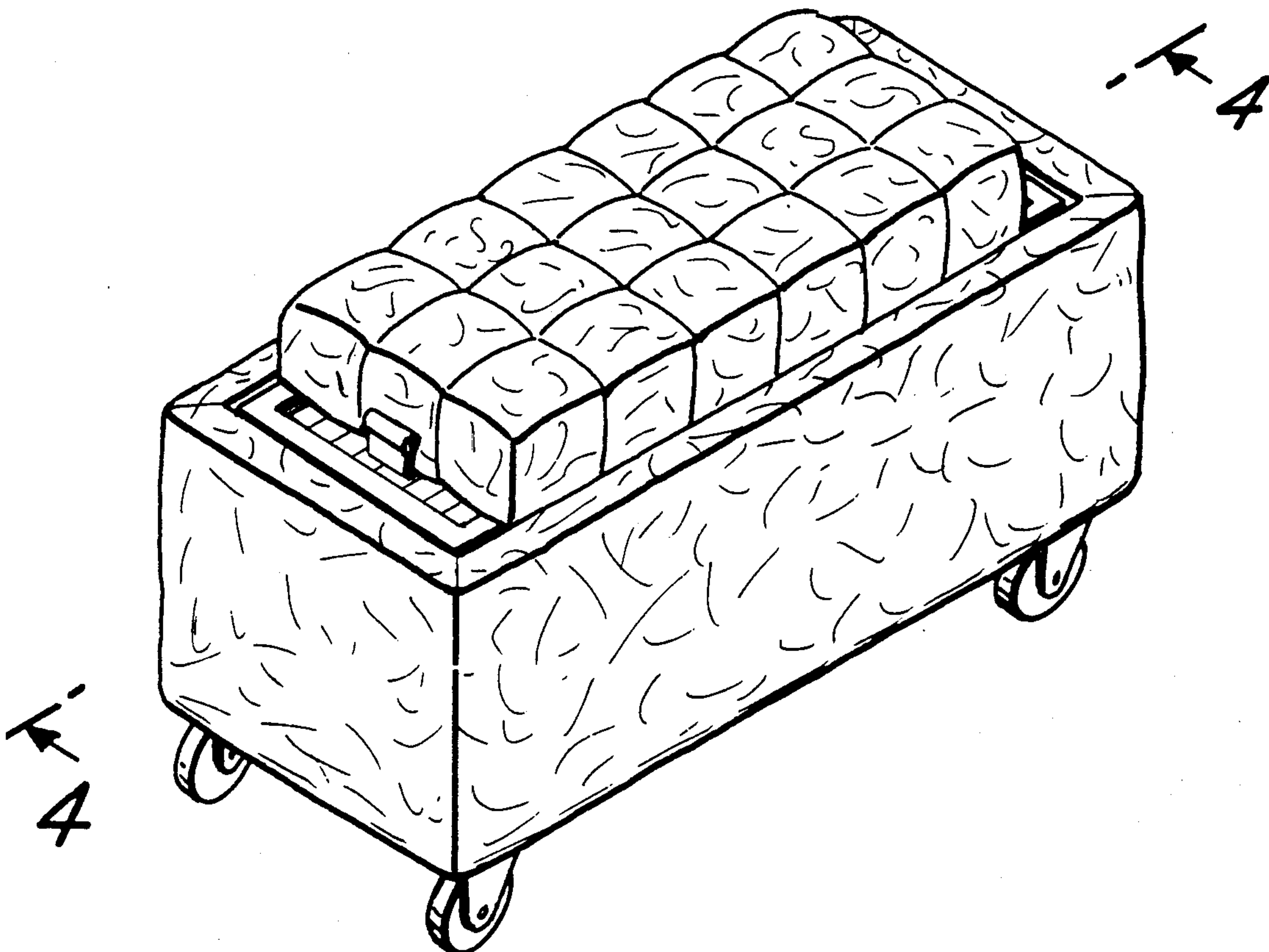


FIG. 1

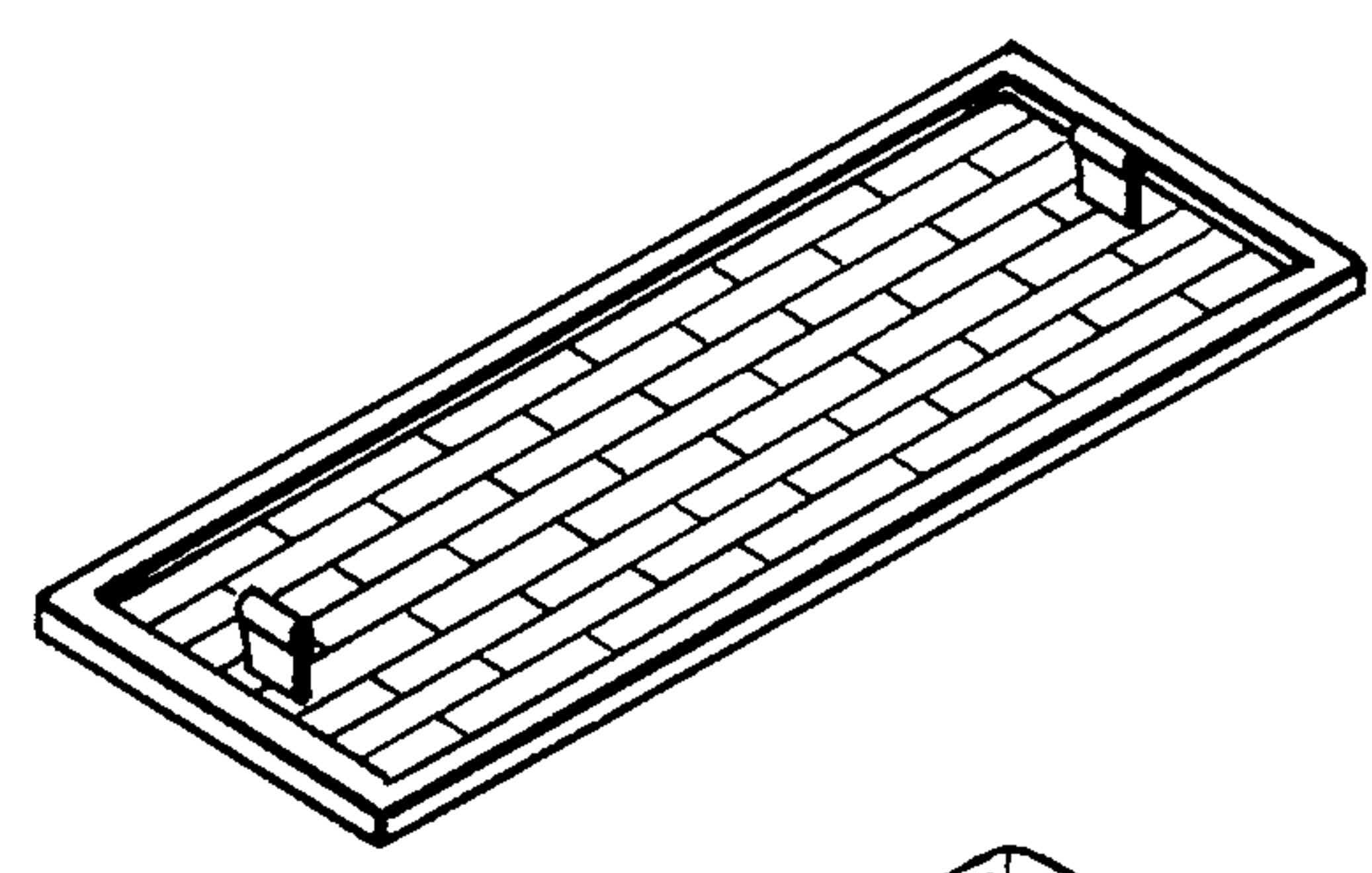
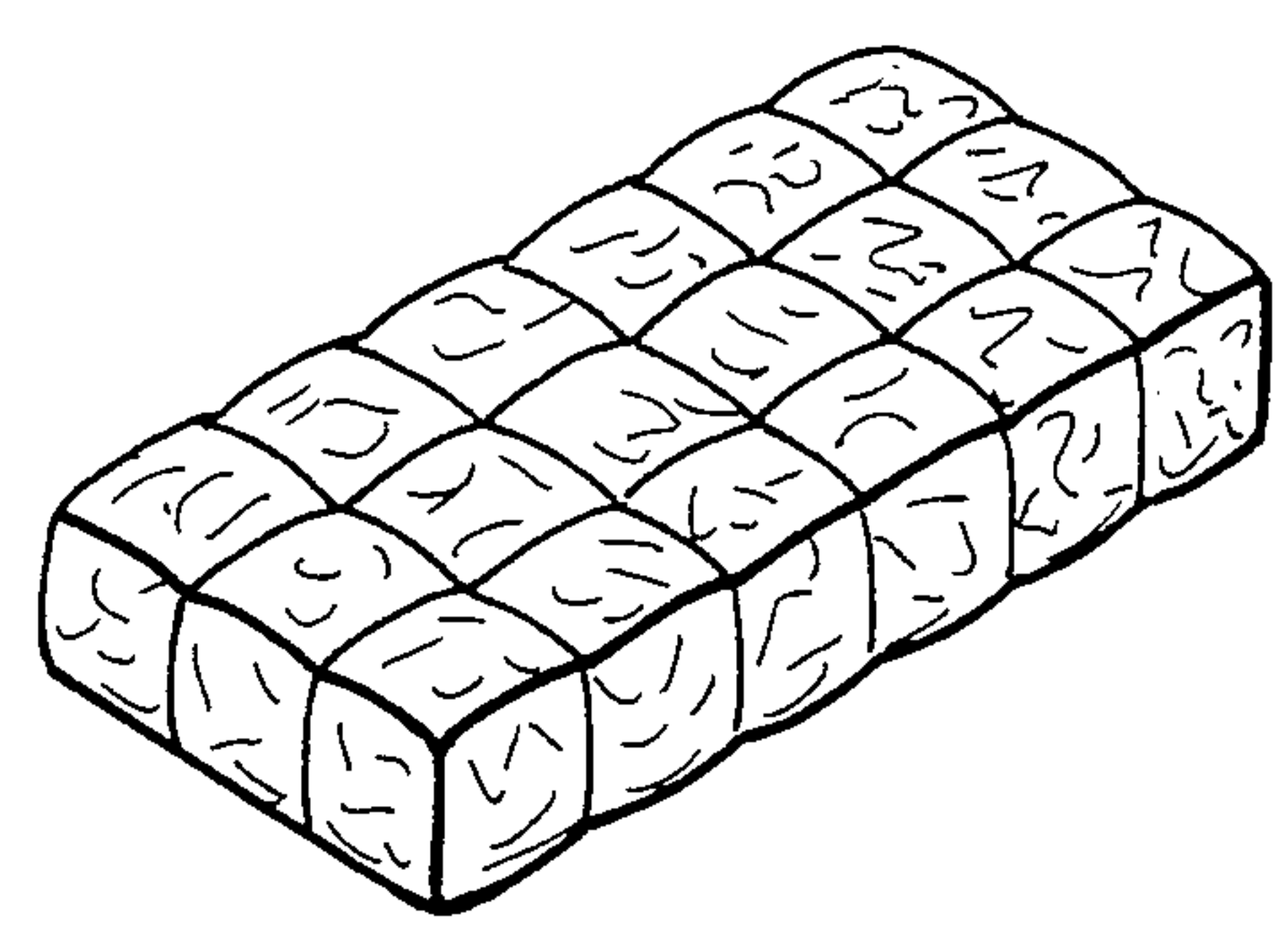
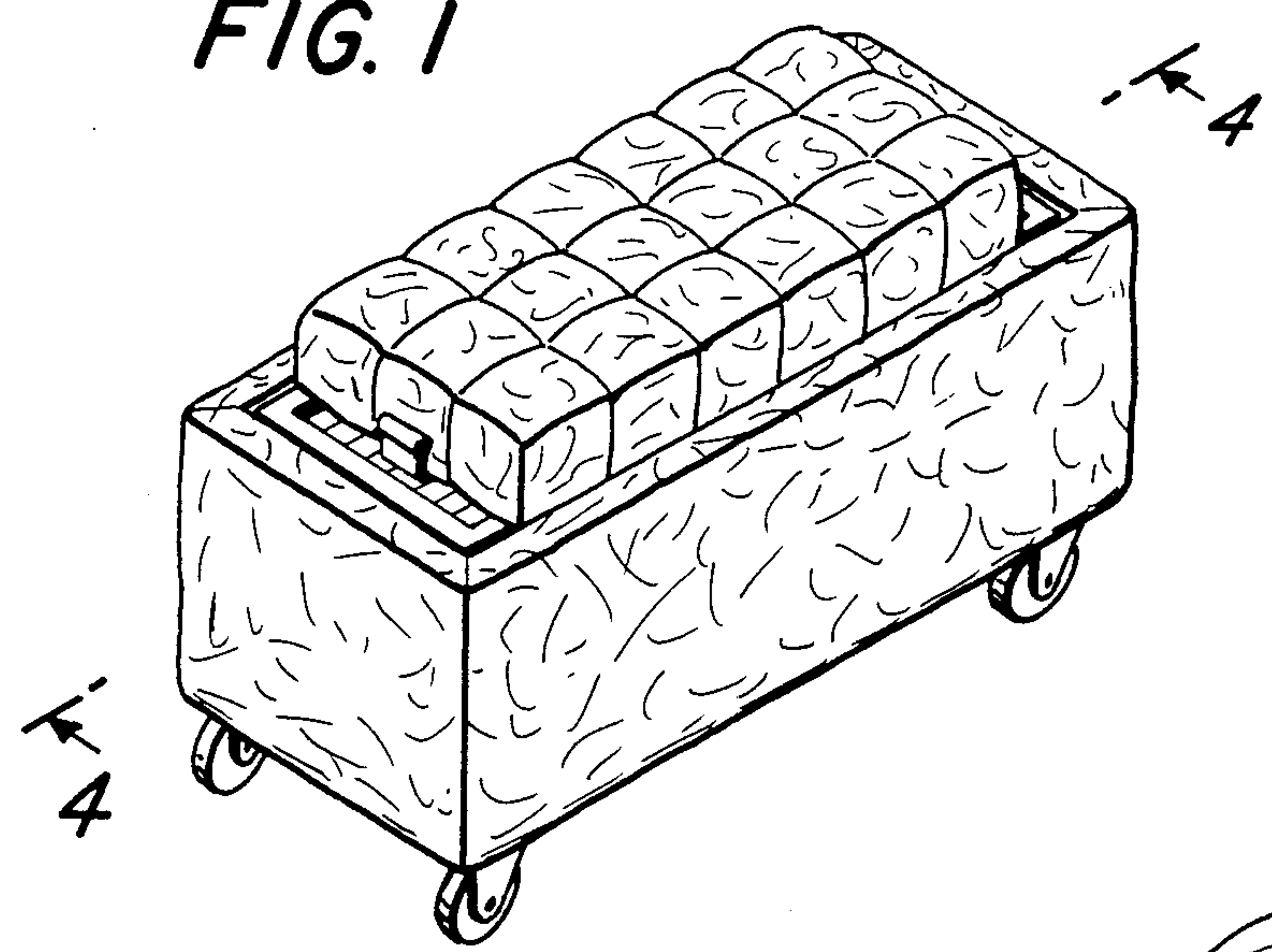


FIG. 3

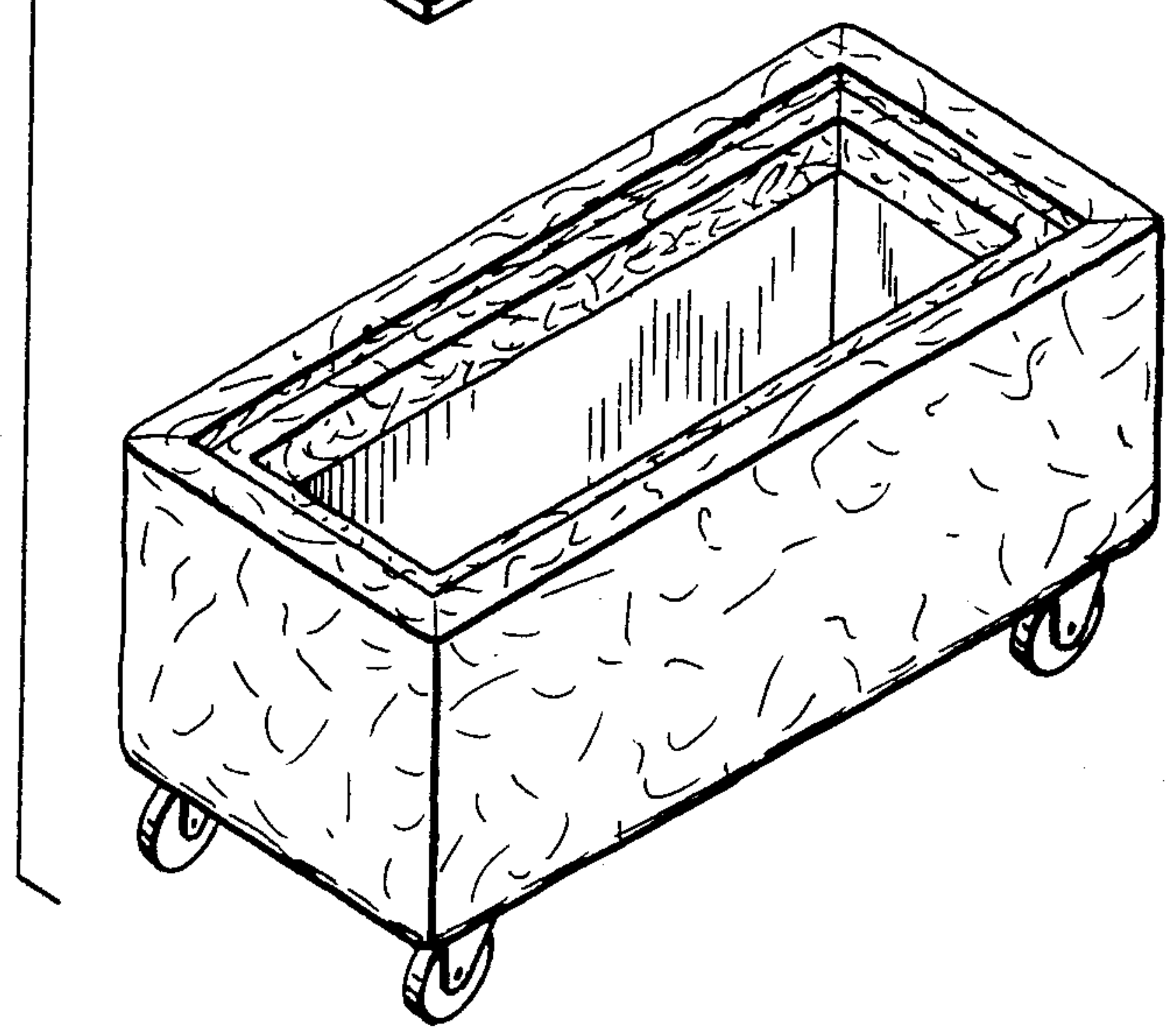


FIG. 2

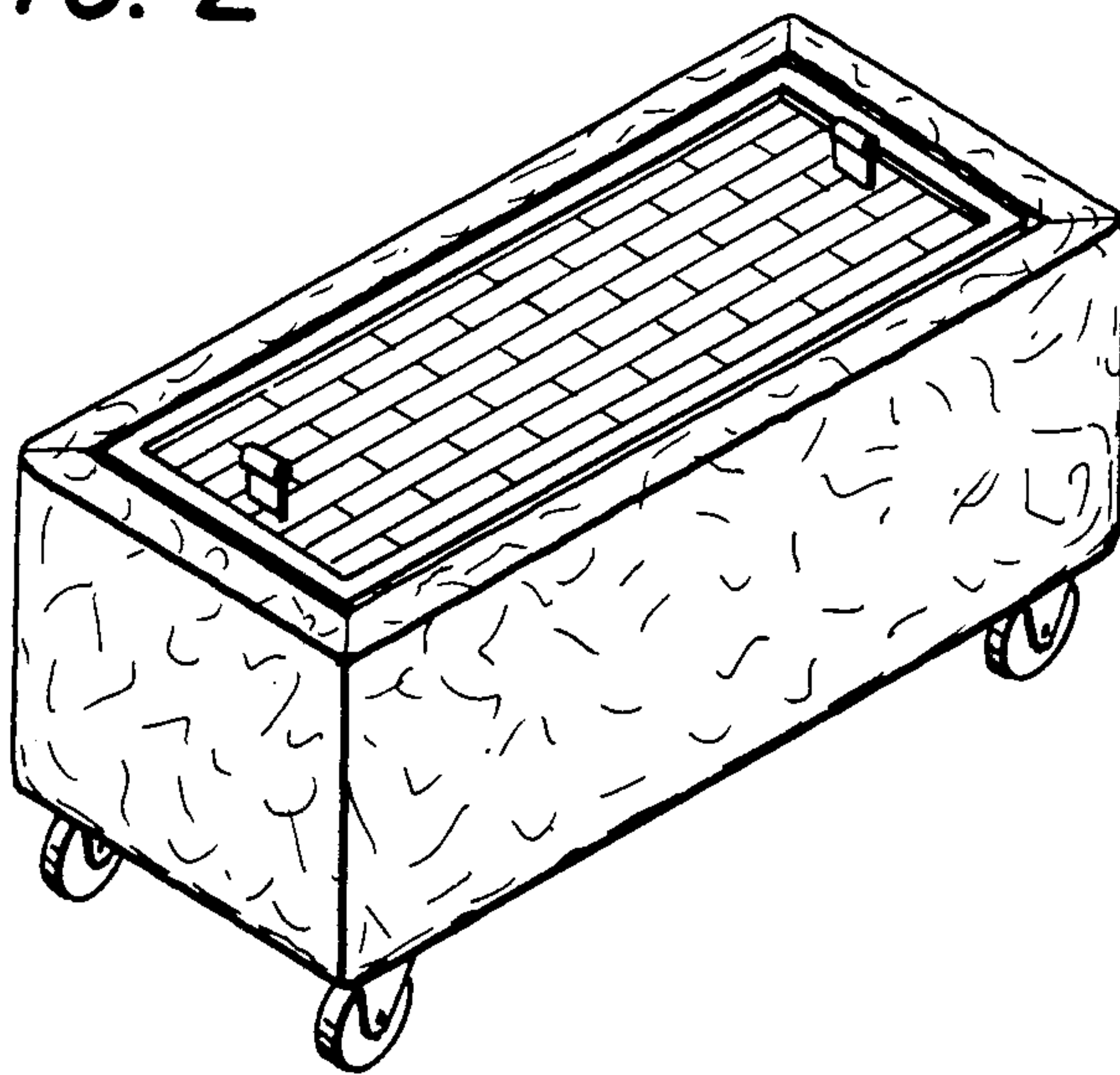


FIG. 4

