

[54] CASE FOR WRITING INSTRUMENTS

[75] Inventor: Lasar Gotz, Don Mills, Canada

[73] Assignee: Weldo Plastics Limited, Toronto, Canada

[**] Term: 14 Years

[21] Appl. No.: 694,106

[22] Filed: Jun. 9, 1976

[51] Int. Cl. D3-02

[52] U.S. Cl. D87/1 R; D19/26;
D87/3 R

[58] Field of Search D87/1 R, 3 R, 5 B;
D9/198, 189; 206/214, 370; D19/26, 27, 77, 78;
2/DIG. 6

[56]

References Cited

U.S. PATENT DOCUMENTS

D. 154,682	8/1949	Hoag	D9/189
D. 168,393	12/1952	Bourcart	D87/1 R
D. 182,059	2/1958	Chase	D87/5 B
D. 188,406	7/1960	Berg	D87/5 B
D. 236,556	8/1975	DiPaola et al.	D87/3 R

FOREIGN PATENT DOCUMENTS

1501989	10/1967	France	206/214
---------	---------	--------------	---------

Primary Examiner—Joel Stearman
Assistant Examiner—George P. Word
Attorney, Agent, or Firm—David M. Rogers

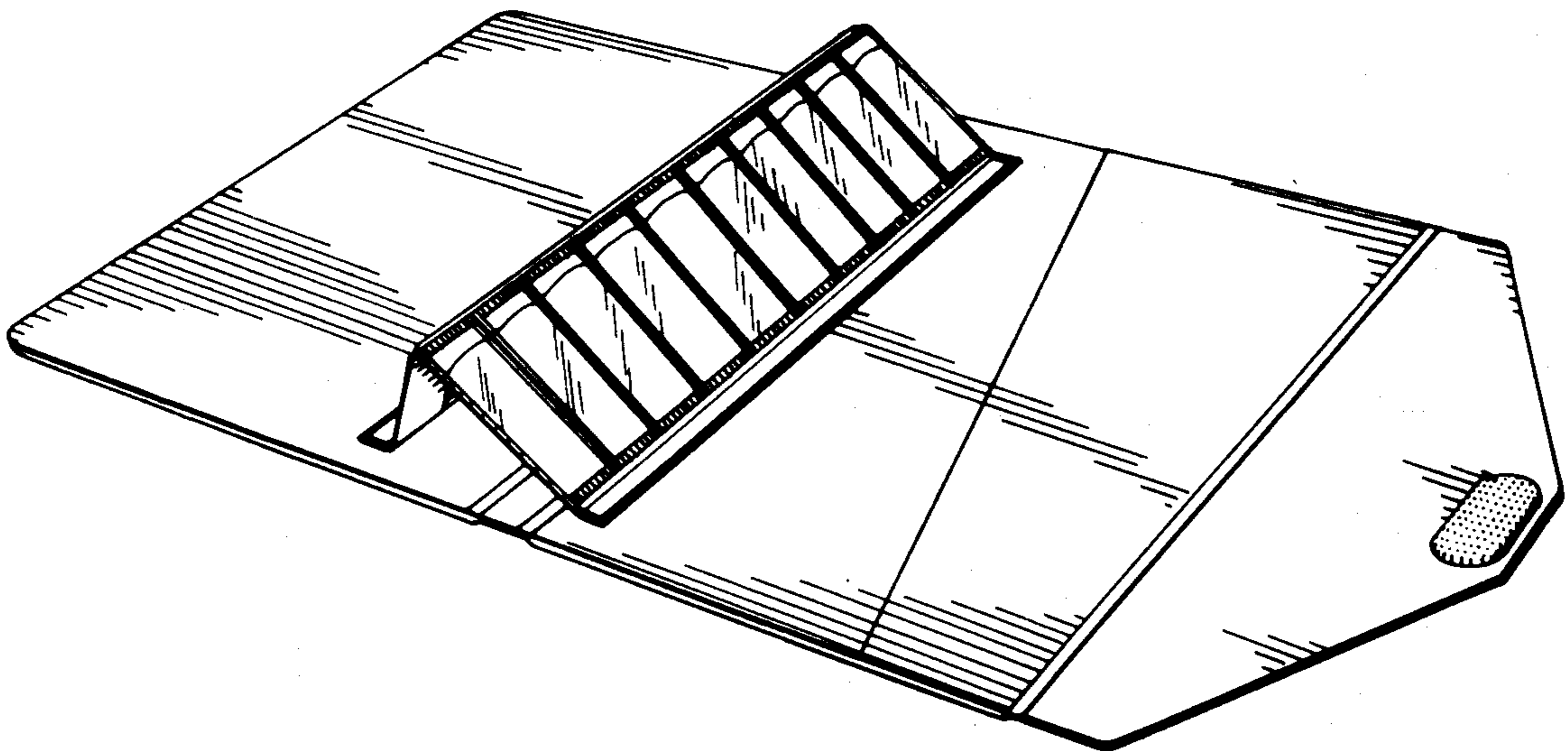
[57]

CLAIM

The ornamental design for a case for writing instruments, as shown and described.

DESCRIPTION

FIG. 1 is a perspective view of a case for writing instruments showing my new design; FIG. 2 is a bottom rear perspective view thereof; and, FIG. 3 is a rear perspective view of FIG. 1.



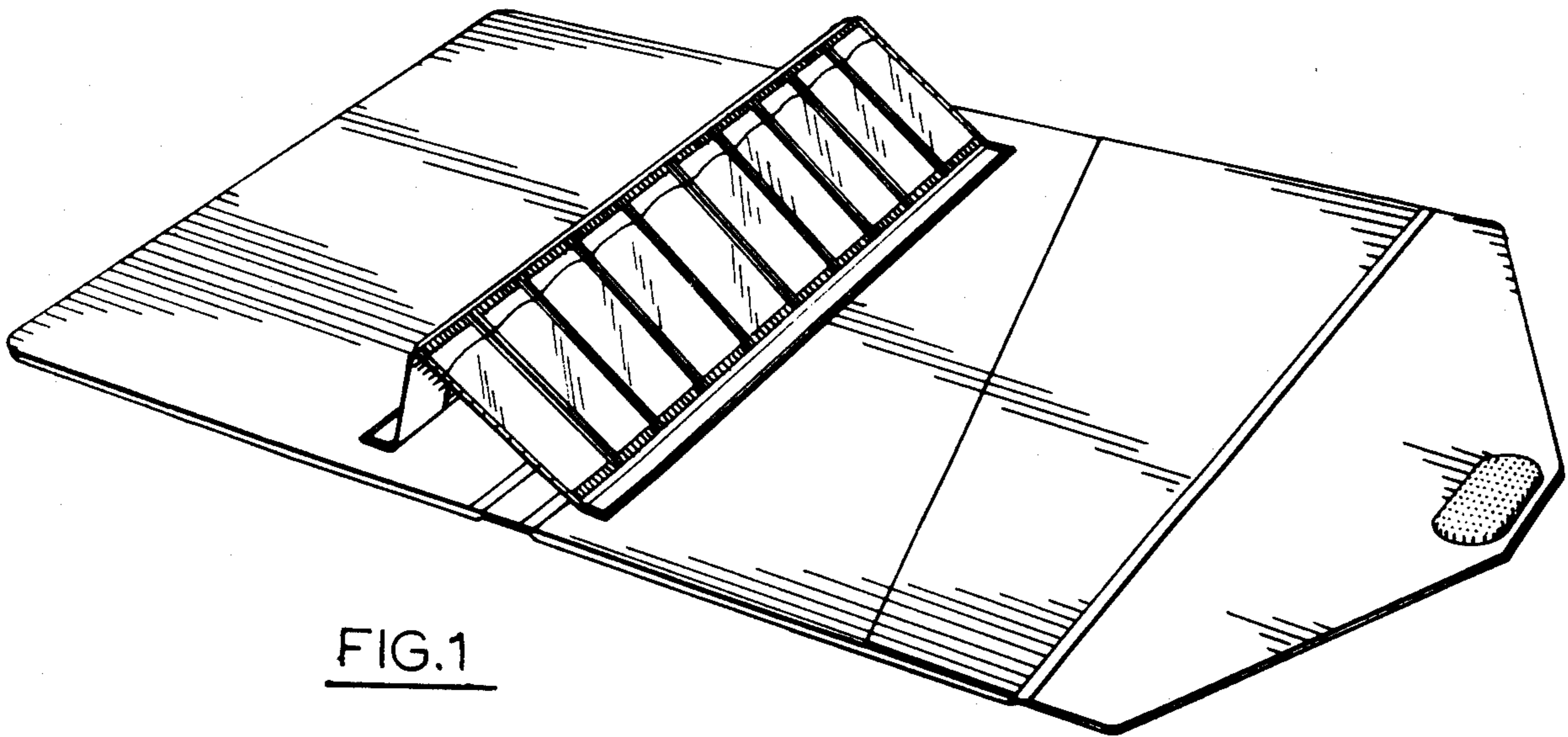


FIG. 1

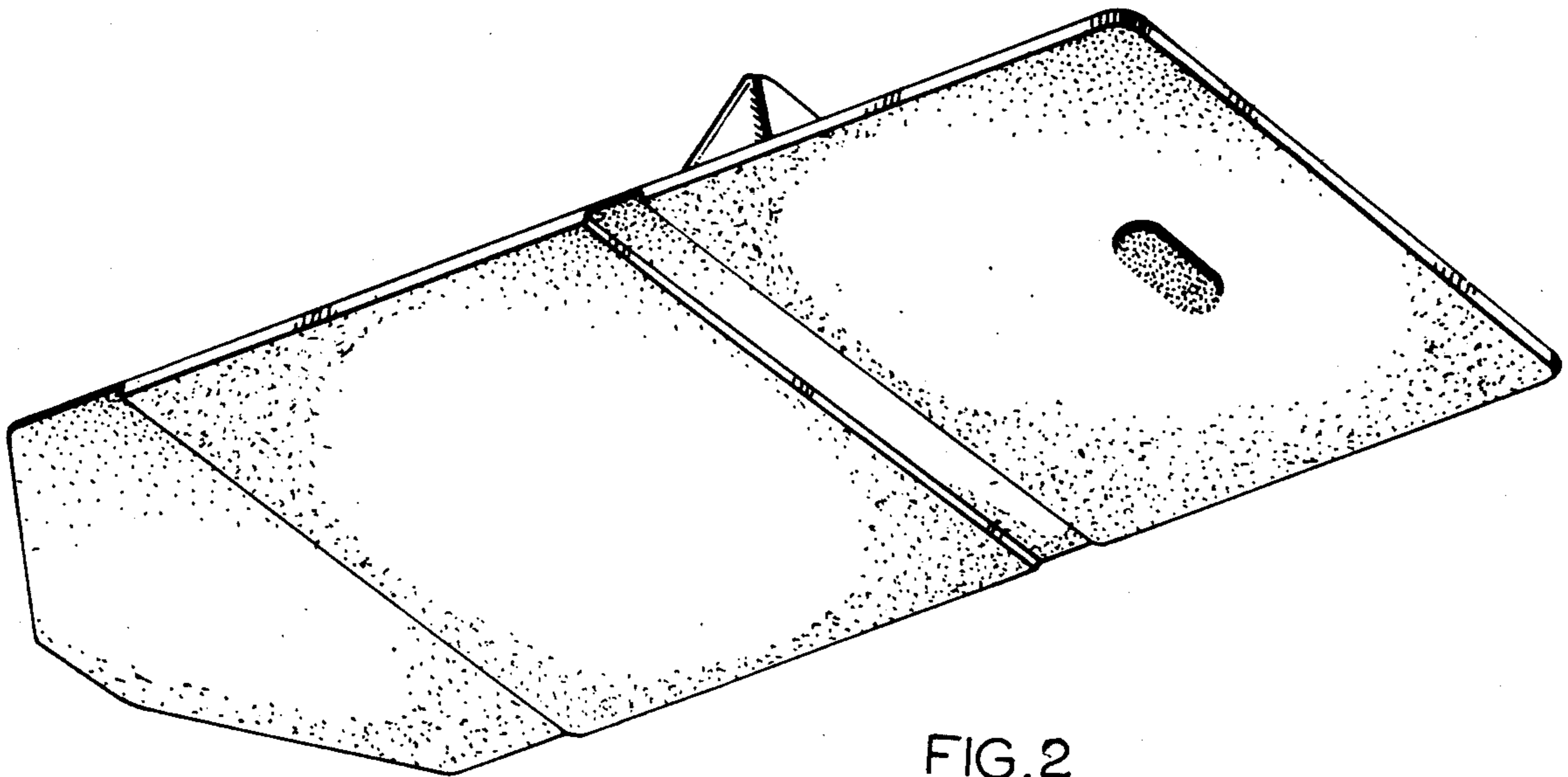


FIG. 2

FIG. 3

