

[54] **LAMP**

[75] **Inventor:** William P. Heinrich, McHenry, Ill.

[73] **Assignee:** Stylette Plastics, Inc., Oakdale, Pa.

[**] **Term:** 14 Years

[21] **Appl. No.:** 727,979

[22] **Filed:** Sep. 29, 1976

[51] **Int. Cl.** D26-05

[52] **U.S. Cl.** D48/20 F

[58] **Field of Search** 362/410, 411, 412, 413,
362/414; D48/20 D, 20 F, 20 G

[56] **References Cited**

U.S. PATENT DOCUMENTS

D. 170,323	9/1953	Lindeman	D48/20 D
D. 194,648	2/1963	Rosten	D48/20 D
3,476,931	11/1969	Fletcher	362/411
3,543,019	11/1970	Jacobsen	362/413 X

FOREIGN PATENT DOCUMENTS

1431865 2/1966 France 362/413

OTHER PUBLICATIONS

Design Mar. 1972, p. 3-spotlight.

Mart, Jan. 15, 1968, p. 67-High-Intensity Lamp.

Primary Examiner—Susan J. Lucas

Attorney, Agent, or Firm—William H. Logsdon

[57] **CLAIM**

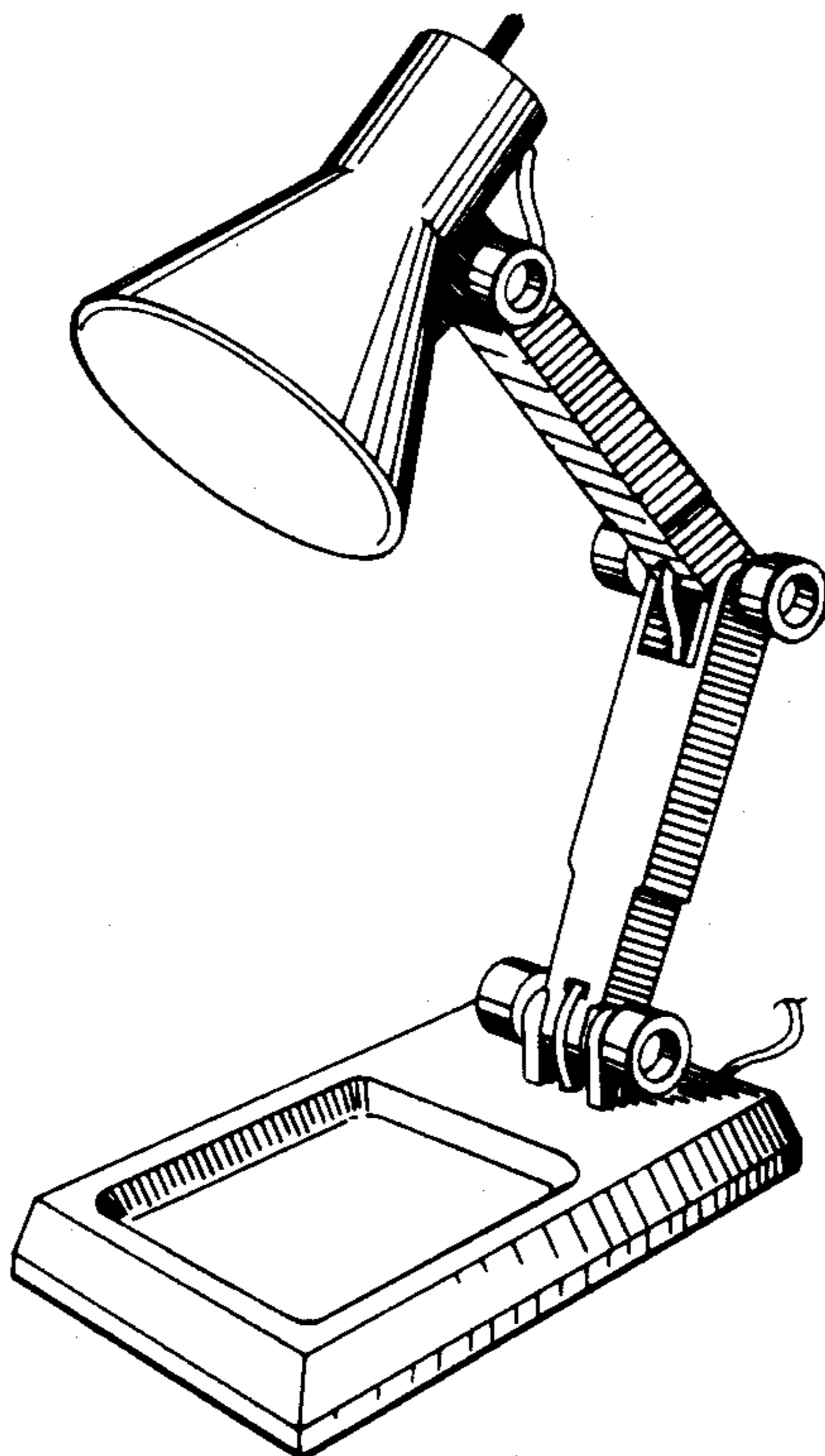
The ornamental design for a lamp, substantially as shown and described.

DESCRIPTION

FIG. 1 is a perspective view showing my new design for a lamp;

FIG. 2 is a side elevational view thereof on a reduced scale, the opposite side being a mirror image thereof; and

FIG. 3 is a rear elevational view thereof.



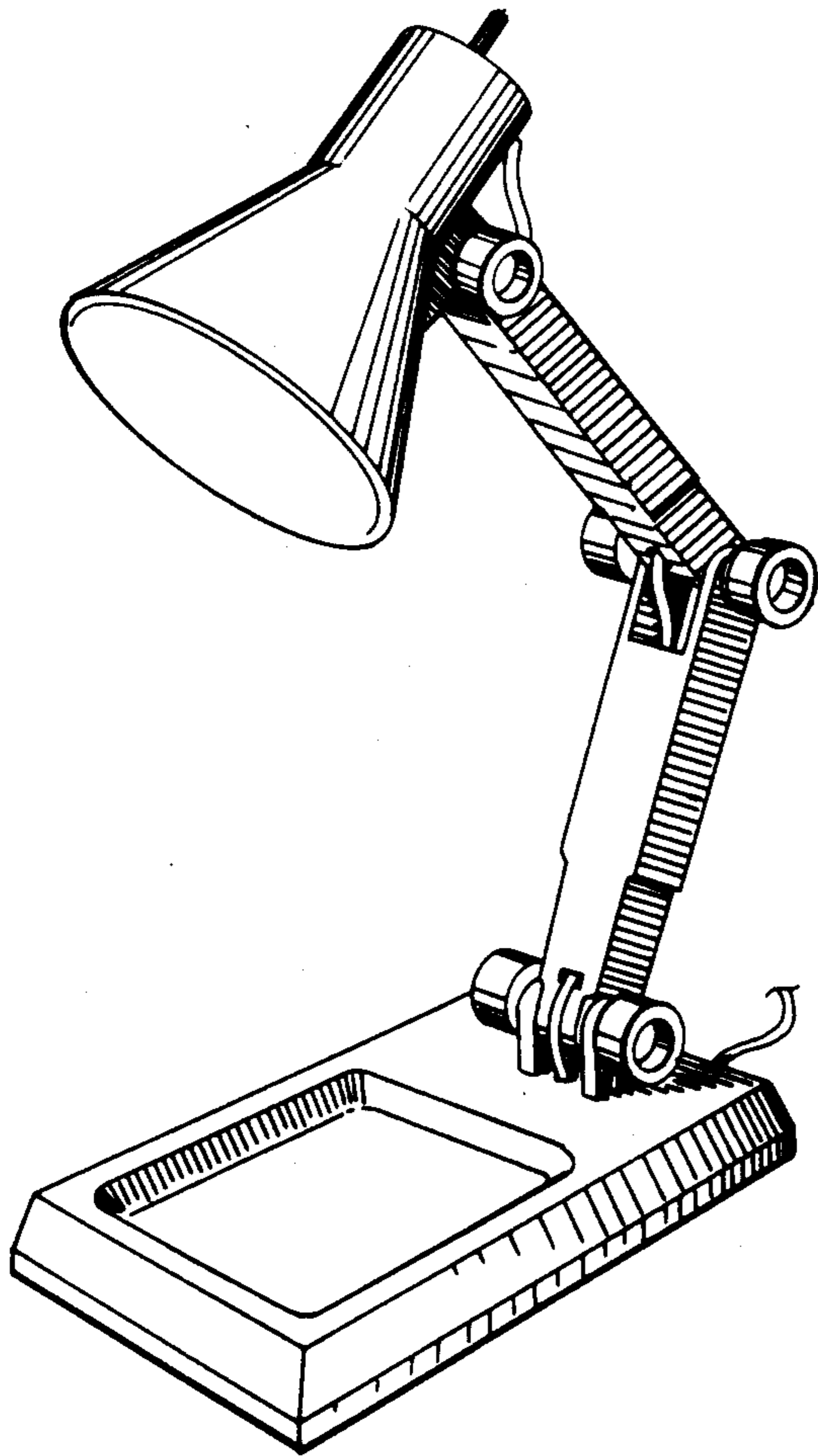


FIG. 1

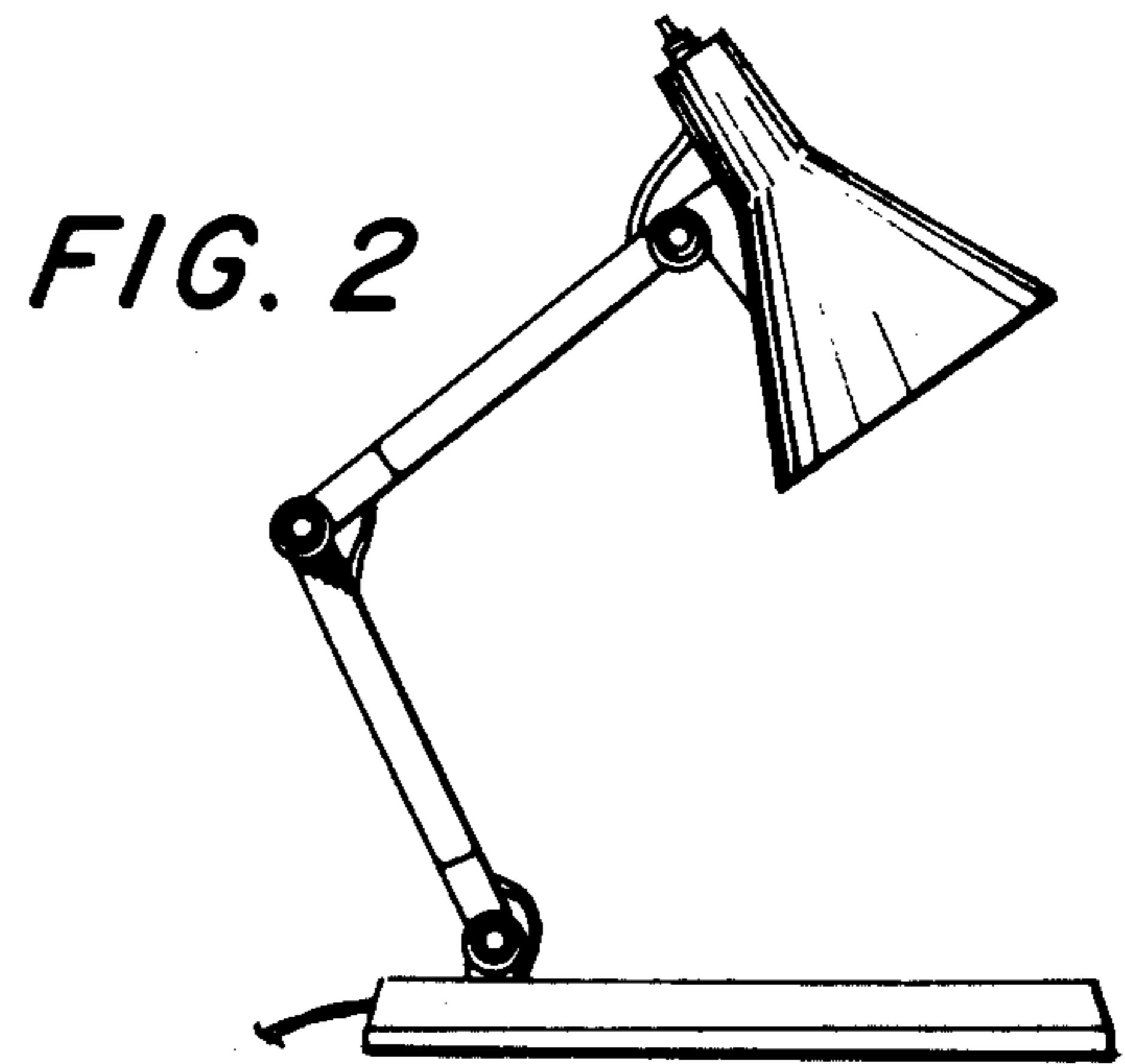


FIG. 2

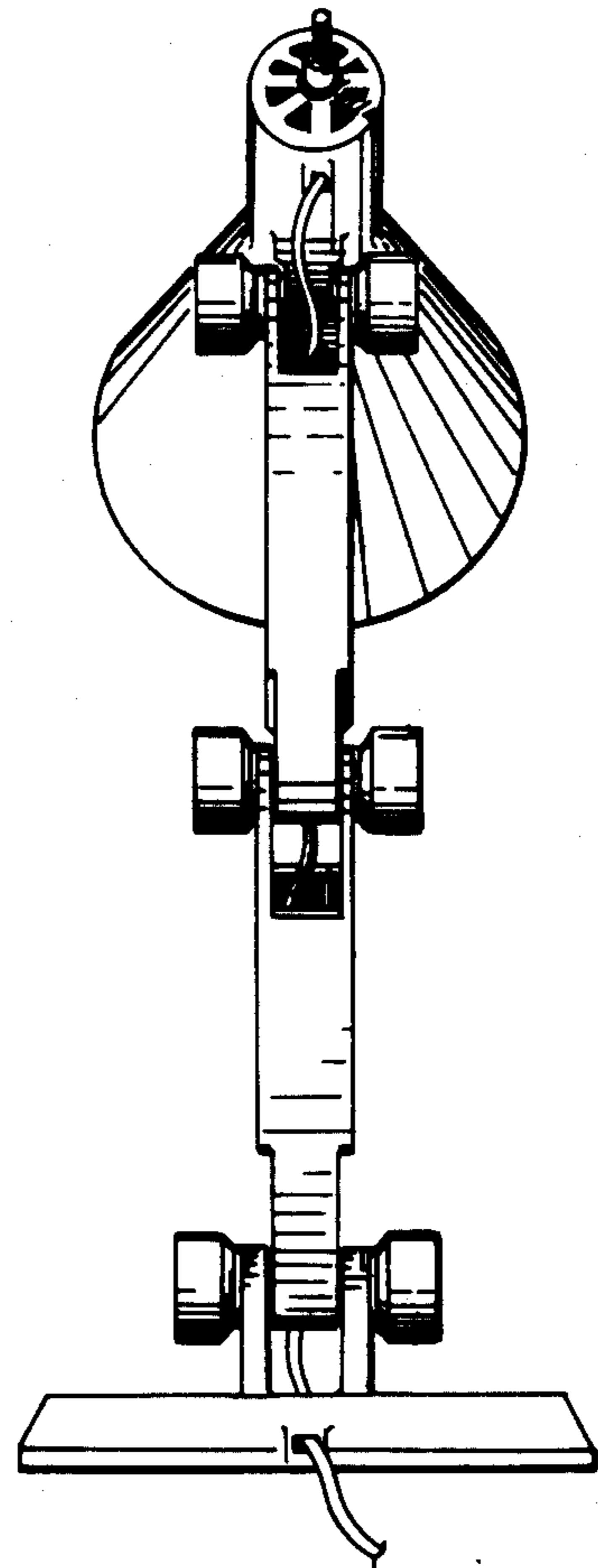


FIG. 3