

[54] FLASHLIGHT STAND
[76] Inventor: James L. Fund, P.O. Box 255451,
Sacramento, Calif. 95825
[**] Term: 14 Years
[21] Appl. No.: 730,934
[22] Filed: Oct. 8, 1976
[51] Int. Cl. D26—05
[52] U.S. Cl. D48/4 A
[58] Field of Search D48/4 A, 24 A;
240/10.5, 10.6 R, 10.61, 10.66; 248/127, 152,
156, 174, 175, 218.2

[56] References Cited
U.S. PATENT DOCUMENTS
1,237,191 8/1917 Friend 240/52.5
1,363,664 12/1920 Livingston 240/10.5 X

1,981,544 11/1934 Frech et al. 240/10.61
2,707,228 4/1955 Philipson 240/52.5
2,726,321 12/1955 Riotto D48/24 A X

Primary Examiner—Susan J. Lucas
Attorney, Agent, or Firm—Elton H. Brown, Jr.

[57] CLAIM

The ornamental design for a flashlight stand, substantially as shown and described.

DESCRIPTION

FIG. 1 is a side elevation of the flashlight stand;
FIG. 2 is a rear elevation of the invention;
FIG. 3 is a side elevation of the flashlight stand in erect position;
FIG. 4 is a perspective view of the flashlight stand; and
FIG. 5 is a perspective view of a second embodiment of my design.
The flashlight is shown in broken lines for illustrative purposes only.

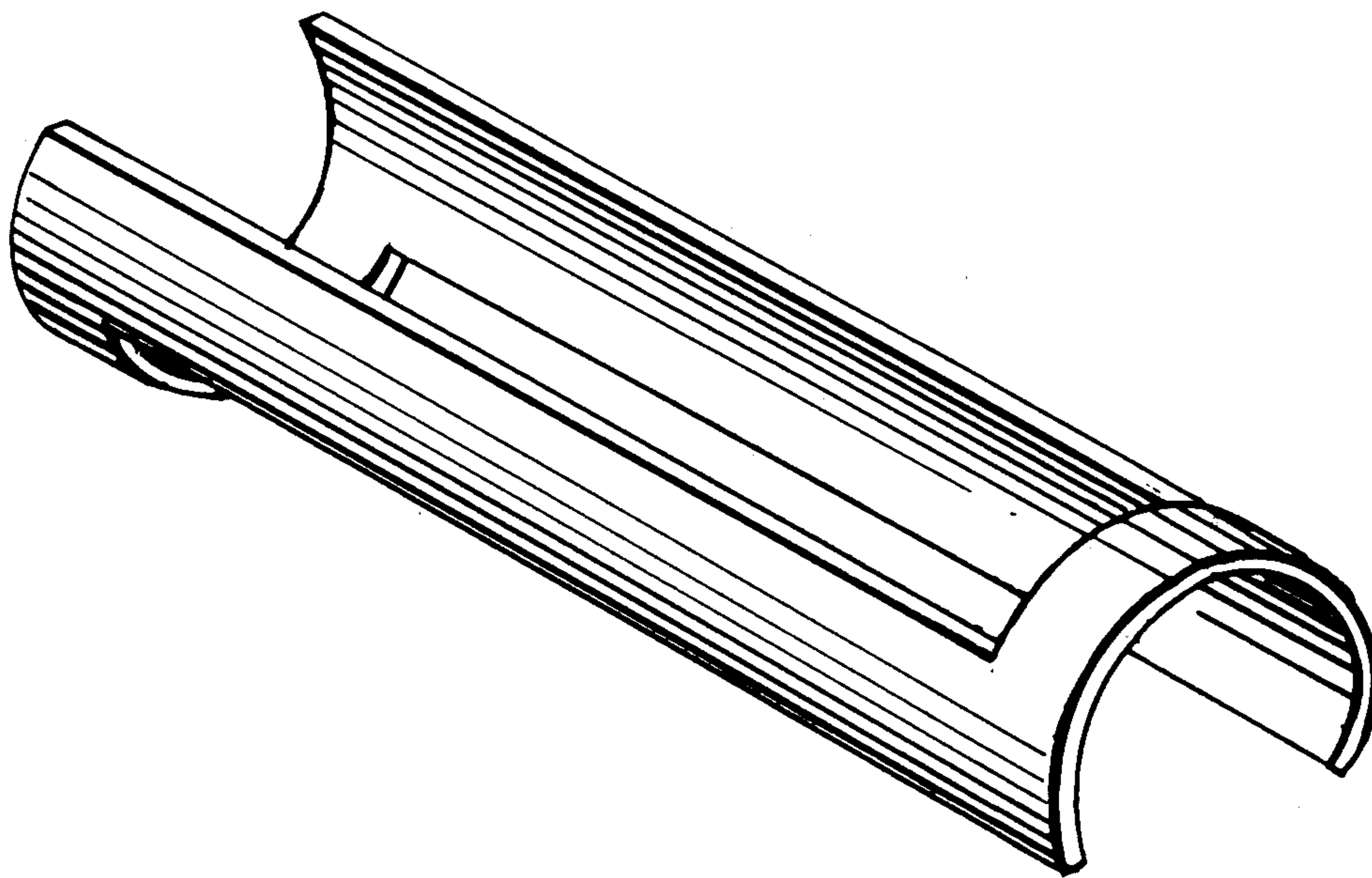


FIG. 1.

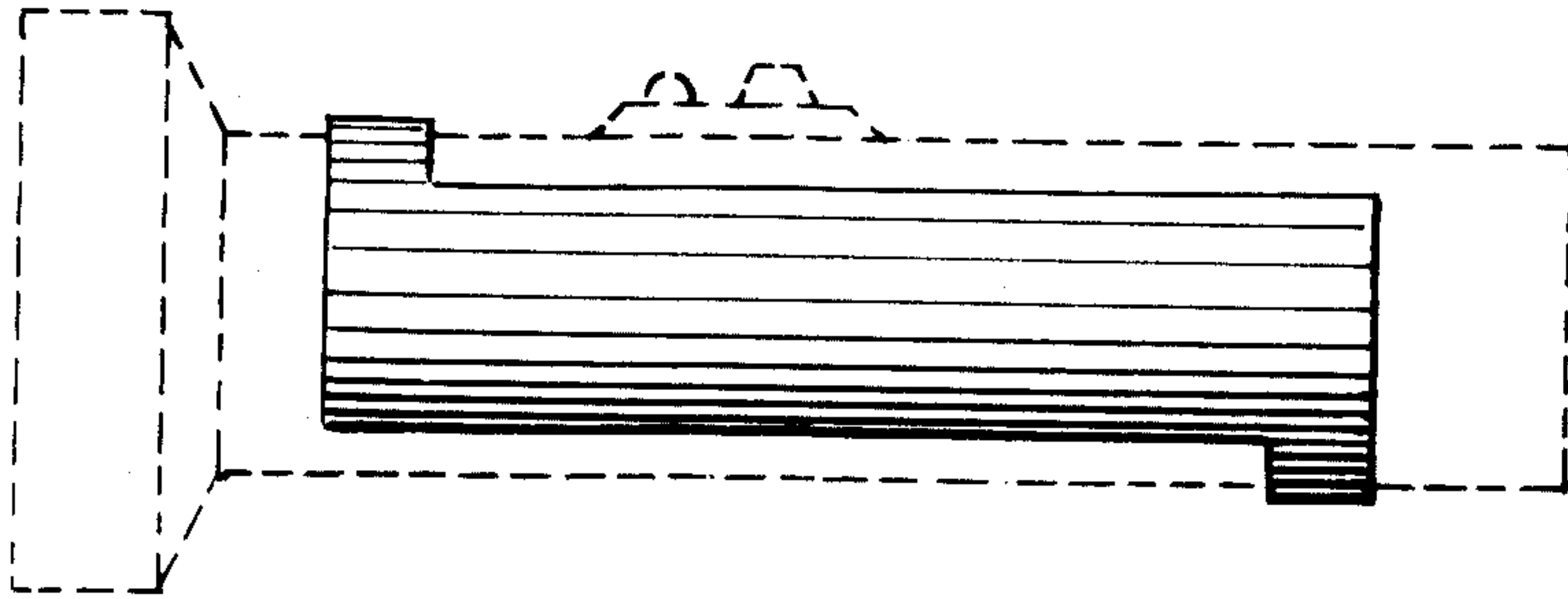


FIG. 2.

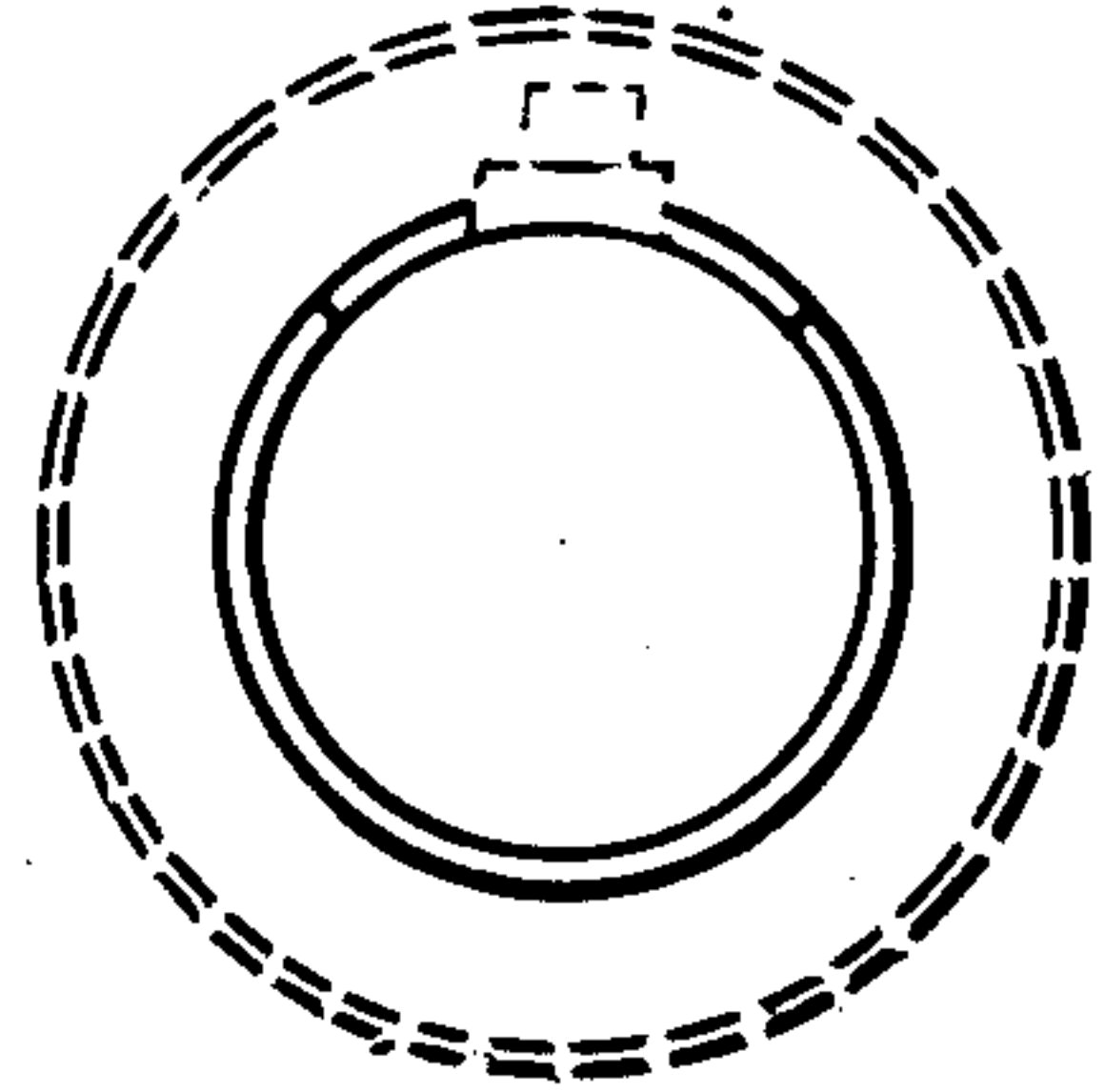


FIG. 3.

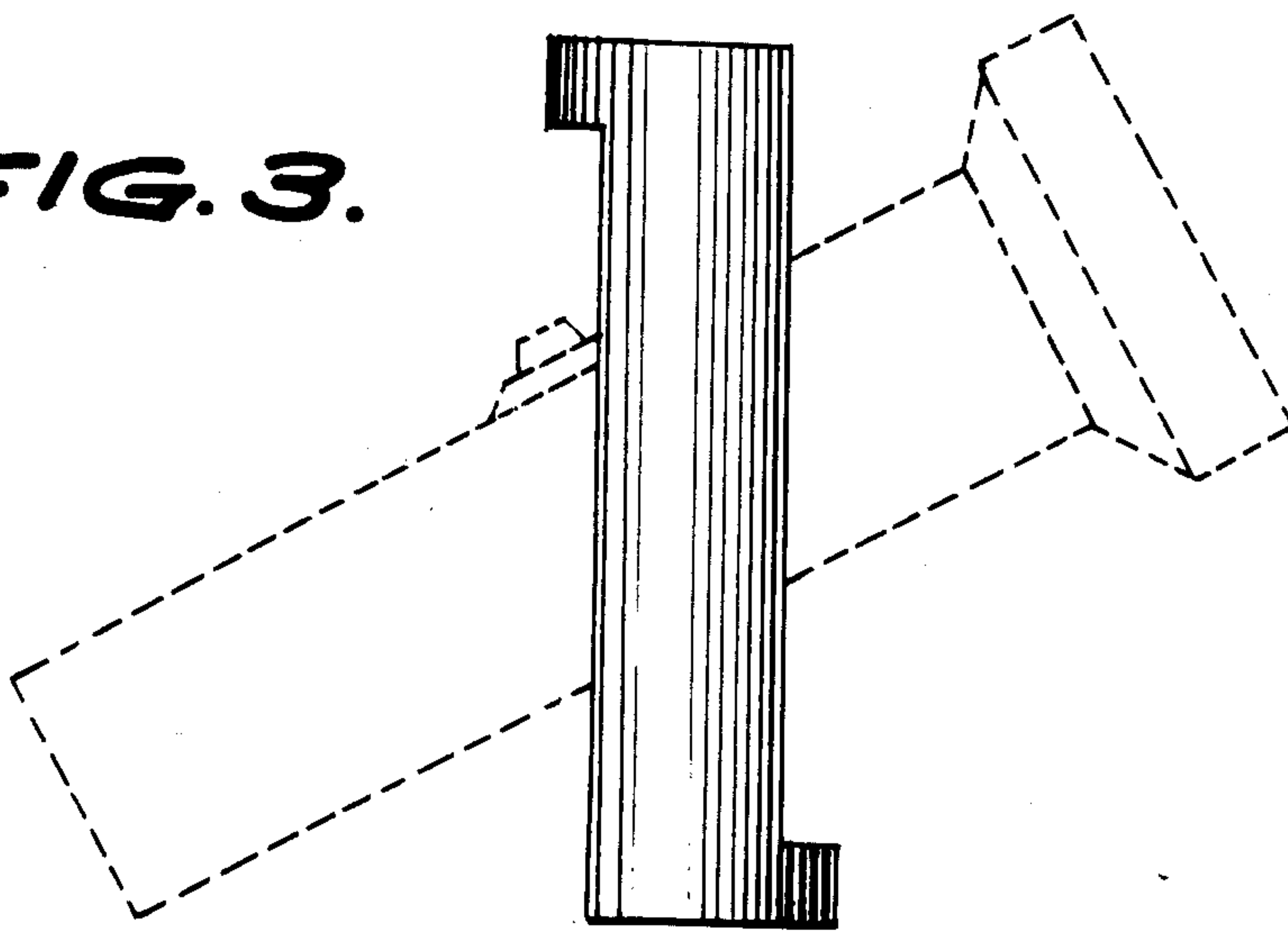


FIG. 4.

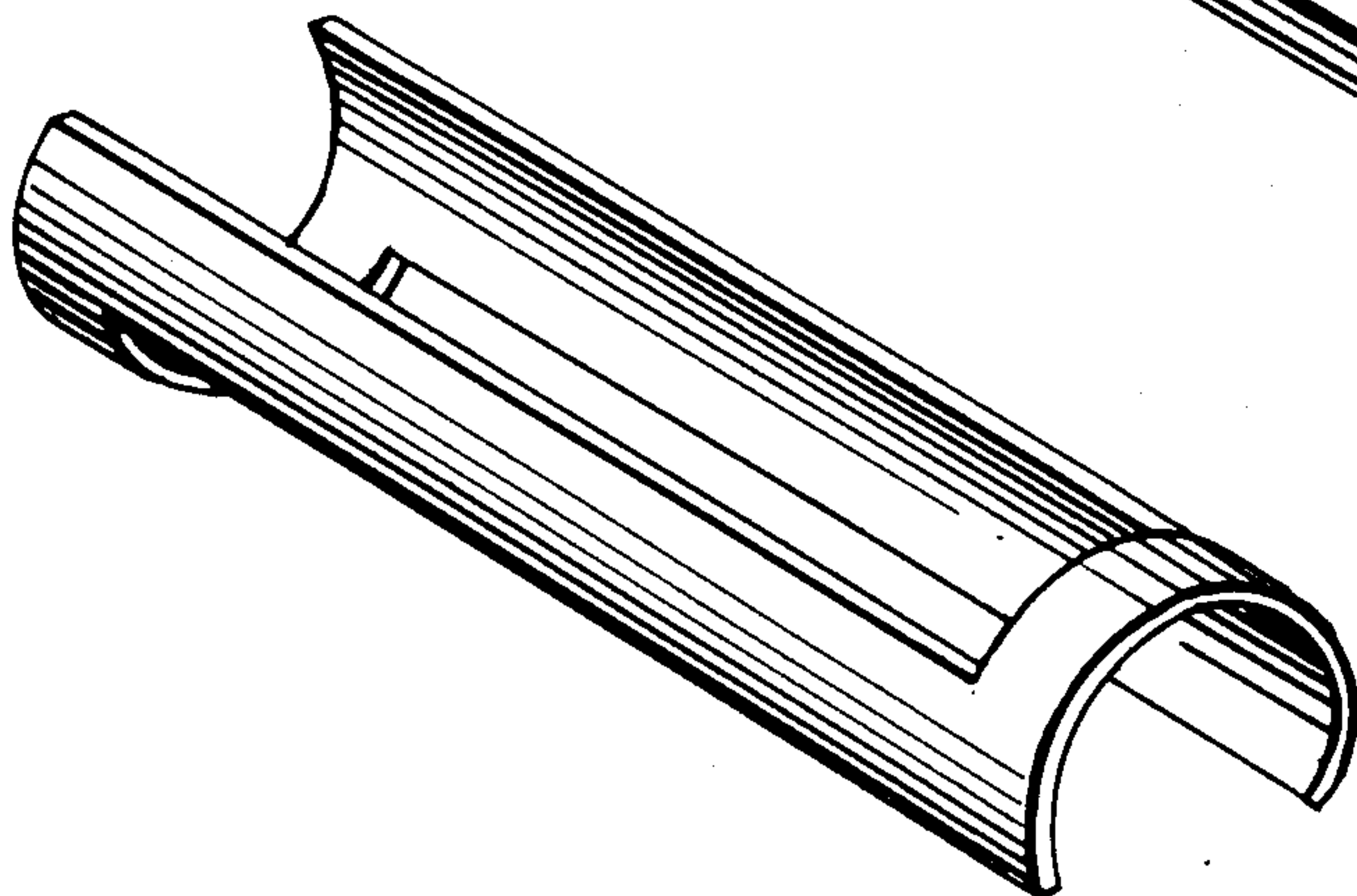


FIG. 5.

