

[54] EXTRUDED STRUCTURAL ELEMENT FOR BUILDINGS

[76] Inventor: Jean-Marc Lemieux, 1621 Bergerac St., Vimont, Laval, Quebec, Canada

[\*\*] Term: 14 Years

[21] Appl. No.: 822,937

[22] Filed: Aug. 8, 1977

[51] Int. Cl. .... D25-01  
[52] U.S. Cl. .... D25/75  
[58] Field of Search .... D25/73-79; 52/720, 731, 732, 737, 288, 738; 160/90

[56]

References Cited

U.S. PATENT DOCUMENTS

D. 237,270 10/1975 Edwards ..... D25/75  
D. 242,800 12/1976 Schmidt ..... D25/74 X  
3,566,561 2/1971 Tozer ..... D25/75 X

Primary Examiner—A. Hugo Word  
Attorney, Agent, or Firm—Raymond A. Robic

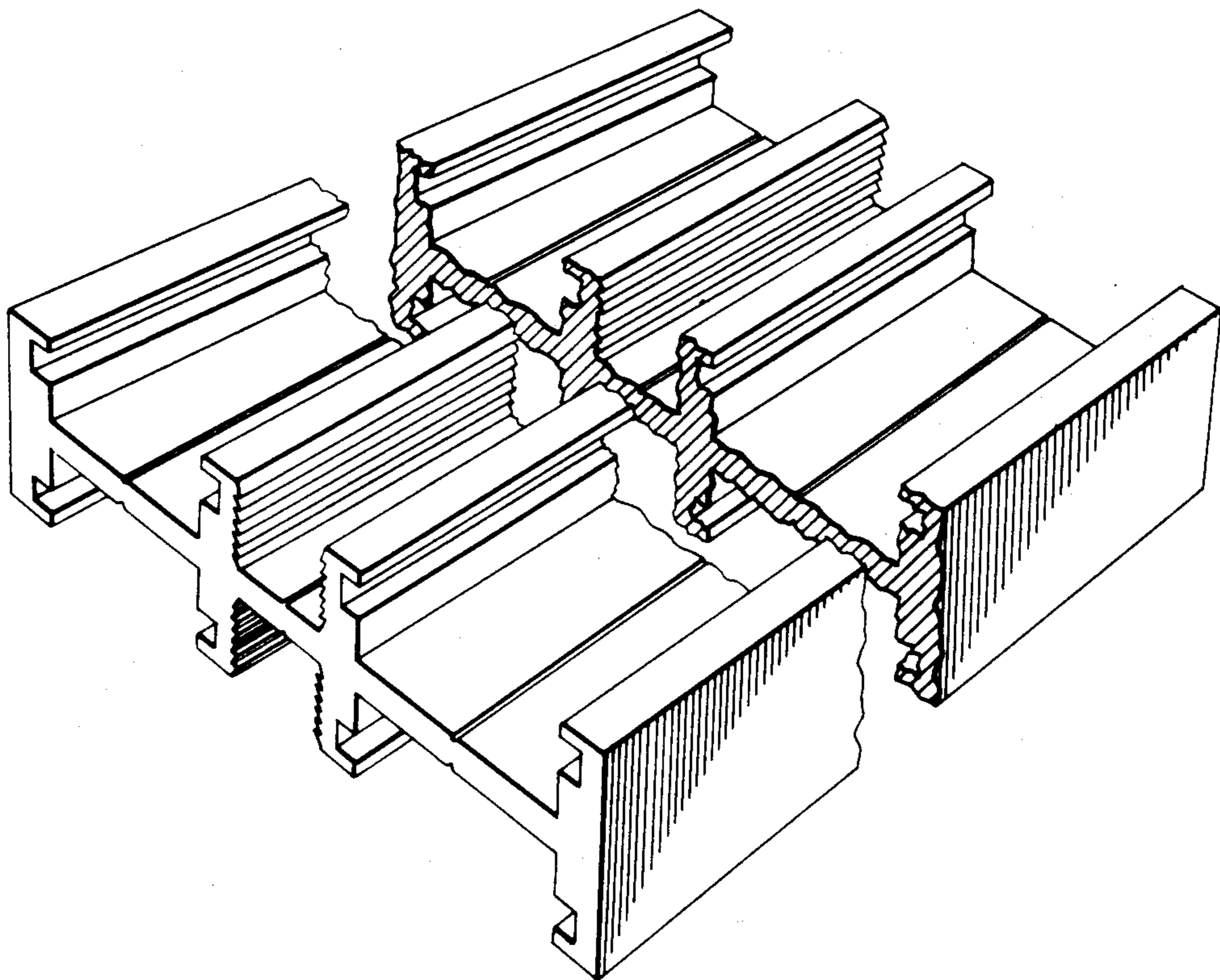
[57]

CLAIM

The ornamental design for an extruded structural element for buildings, substantially as shown and described.

DESCRIPTION

FIG. 1 is a perspective view of an extruded structural element for buildings showing my new design; and FIG. 2 is a front elevational view thereof, the other side being substantially identical.



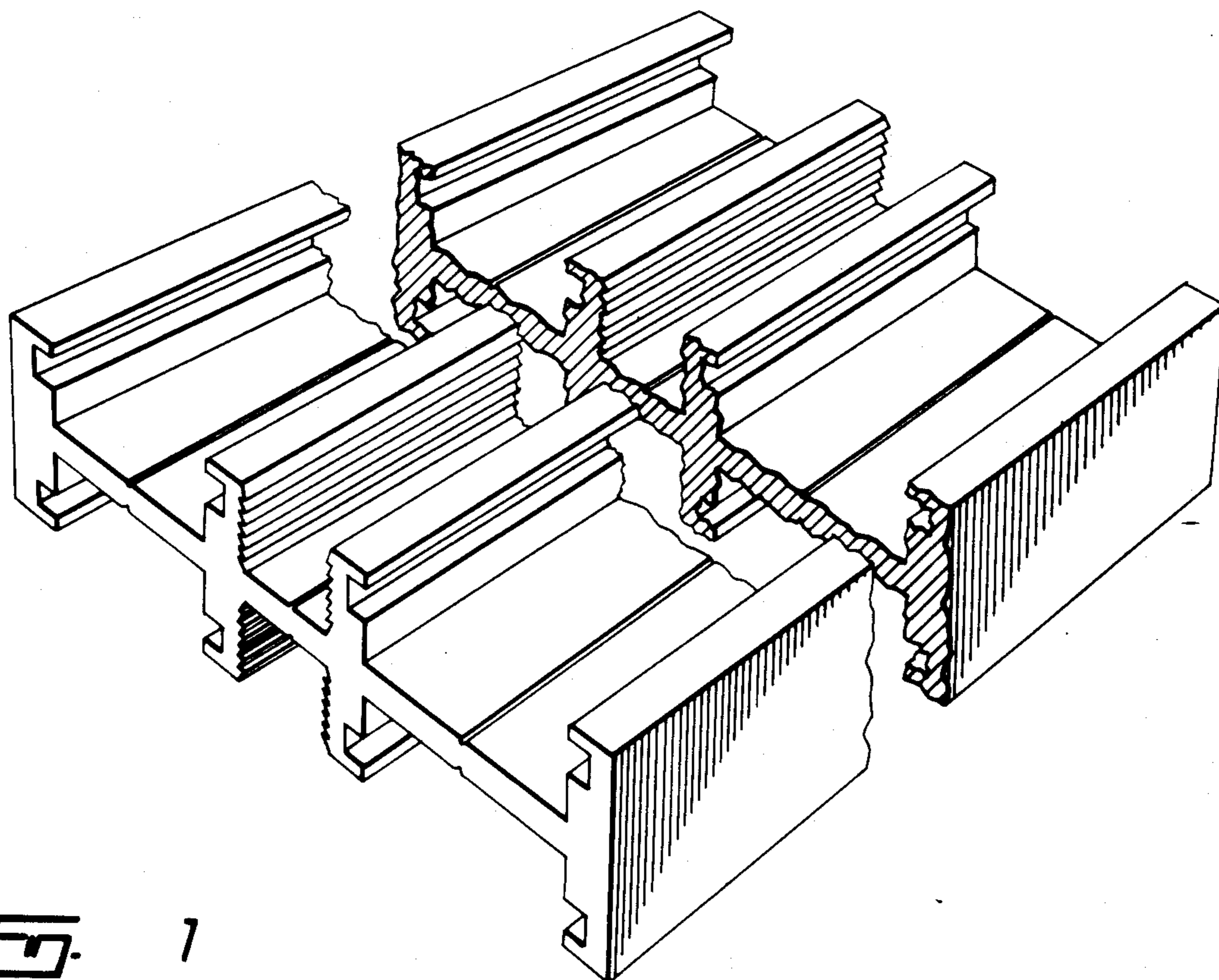


Fig. 1

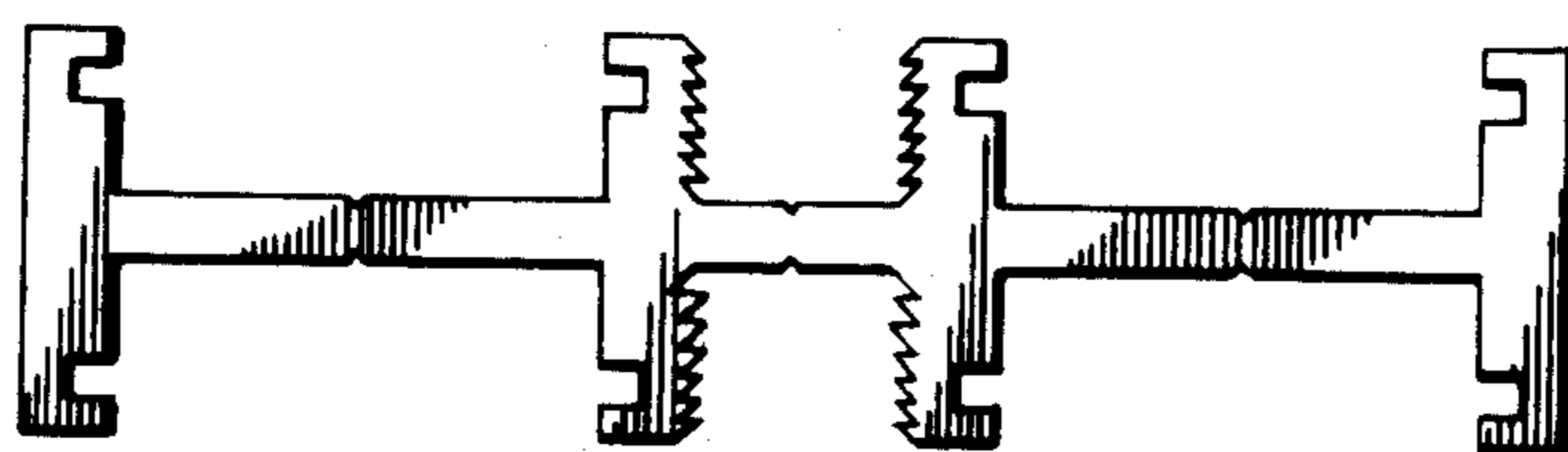


Fig. 2