

[54] SEALING GASKET

[75] Inventors: John J. Juratovic, Hazel Park, Mich.; William R. Widdemer, Churchville, Pa.

[73] Assignee: Hurst Performance, Inc., Warminster, Pa.

[**] Term: 14 Years

[21] Appl. No.: 795,715

[22] Filed: May 11, 1977

[51] Int. Cl. D25-01

[52] U.S. Cl. D25/74

[58] Field of Search D25/74, 75, 76, 79; 403/169, 231, 263, 401, 402; 404/32, 64, 65, 69; 52/309, 312, 400, 656, 716, 718, 721, 732, 737, 758, 735; 160/90

[56] References Cited

U.S. PATENT DOCUMENTS

2,841,836	7/1958	Watson	D25/74 X
3,766,697	10/1973	Jackson	D25/74 X
3,950,915	4/1976	Cole	D25/74 X

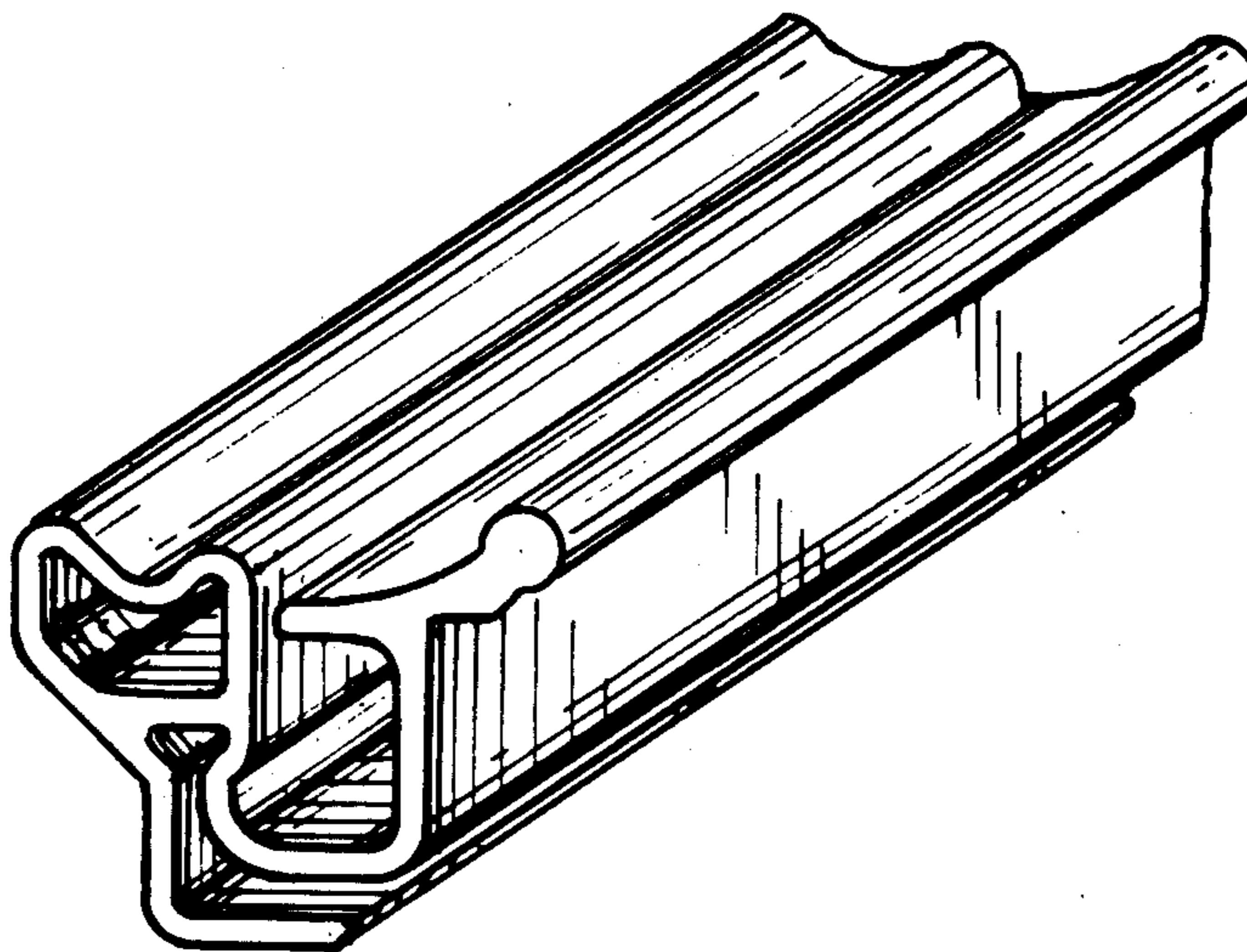
Primary Examiner—A. Hugo Word
Attorney, Agent, or Firm—George R. Clark

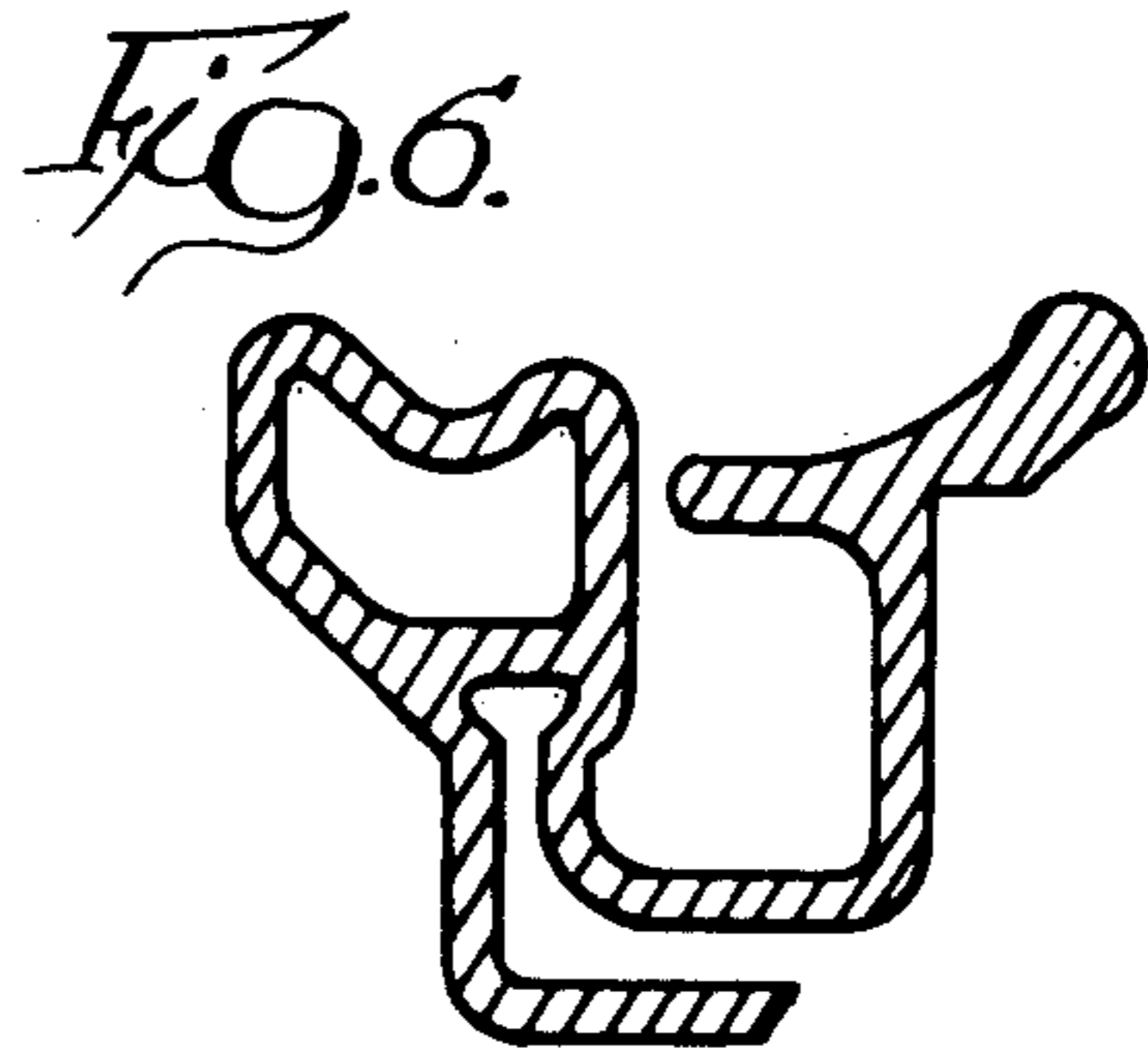
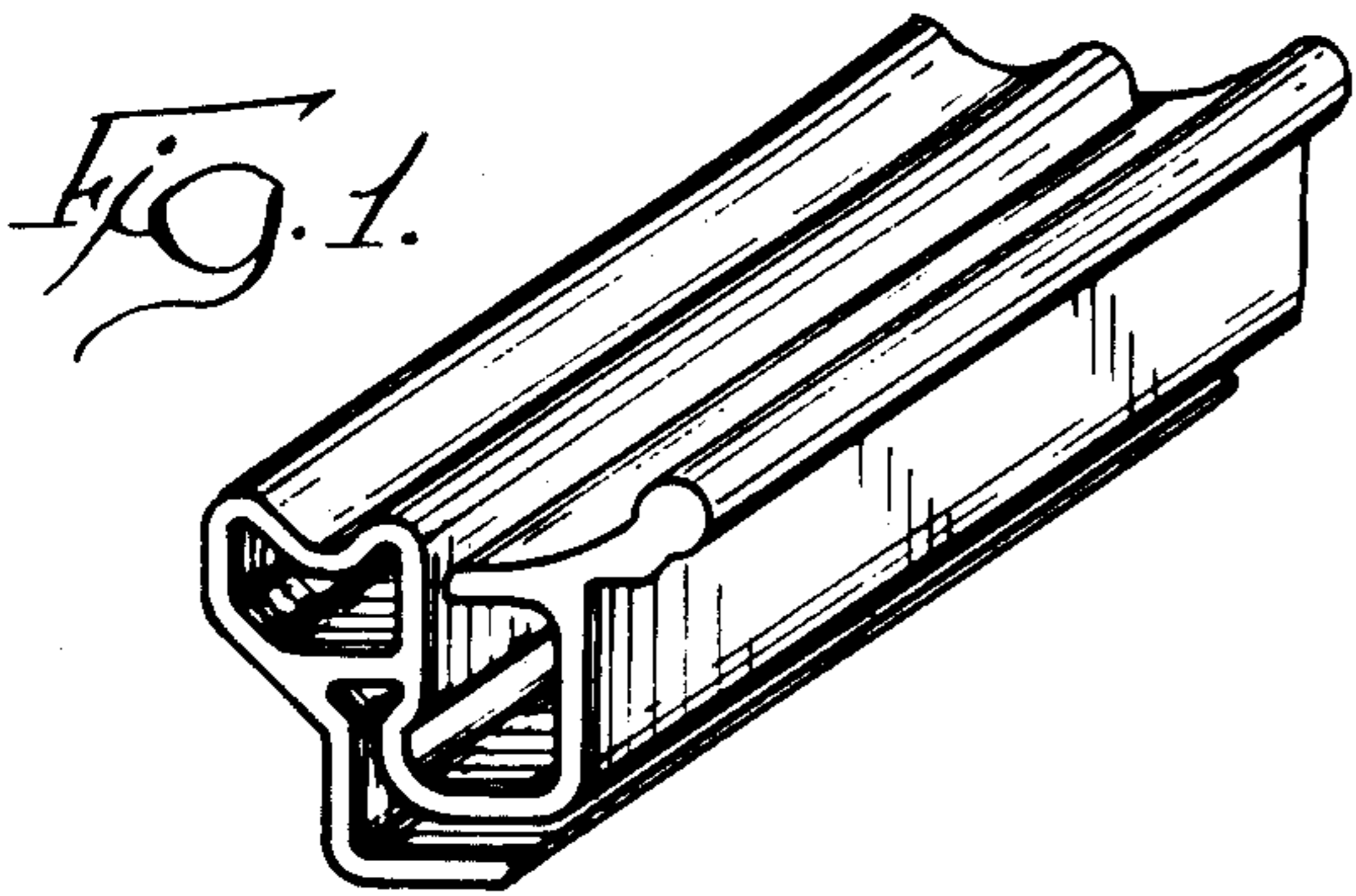
[57] CLAIM

The ornamental design for a sealing gasket, as shown and described.

DESCRIPTION

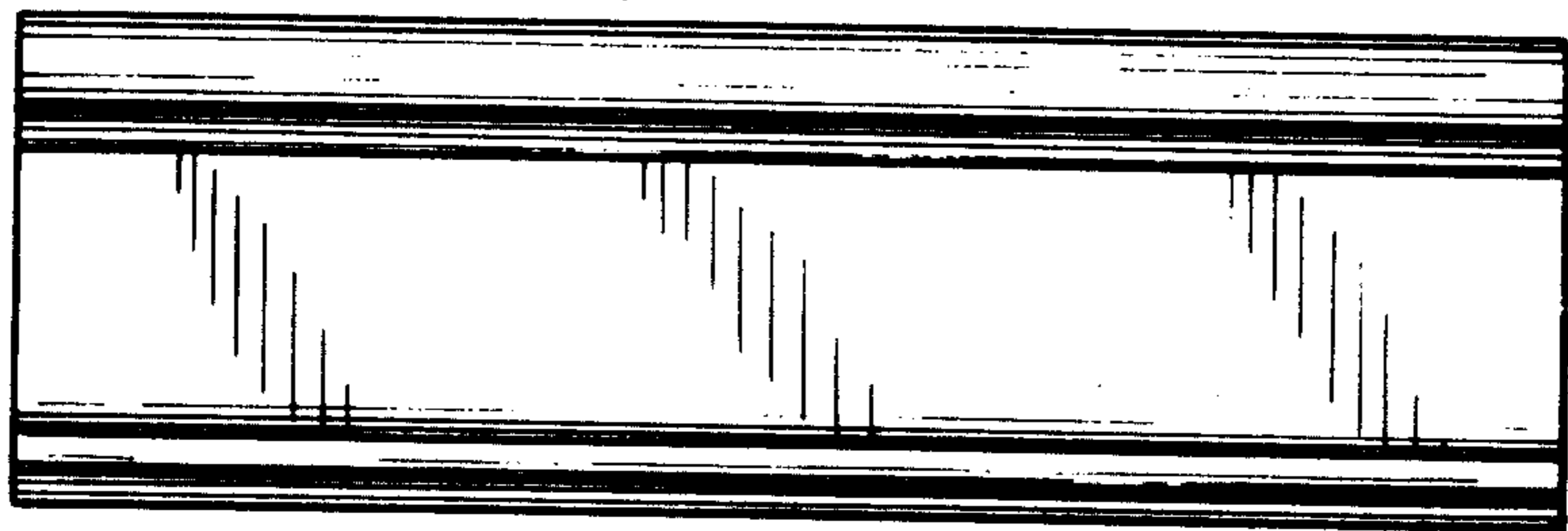
FIG. 1 is a perspective view showing our new design; FIG. 2 is a front elevational view thereof; FIG. 3 is a rear elevational view thereof; FIG. 4 is a top plan view thereof; FIG. 5 is a bottom plan view thereof; and FIG. 6 is a transverse cross-sectional view thereof taken along line 6-6 of FIG. 2.





6. →

Fig. 2.



6. →

Fig. 3.

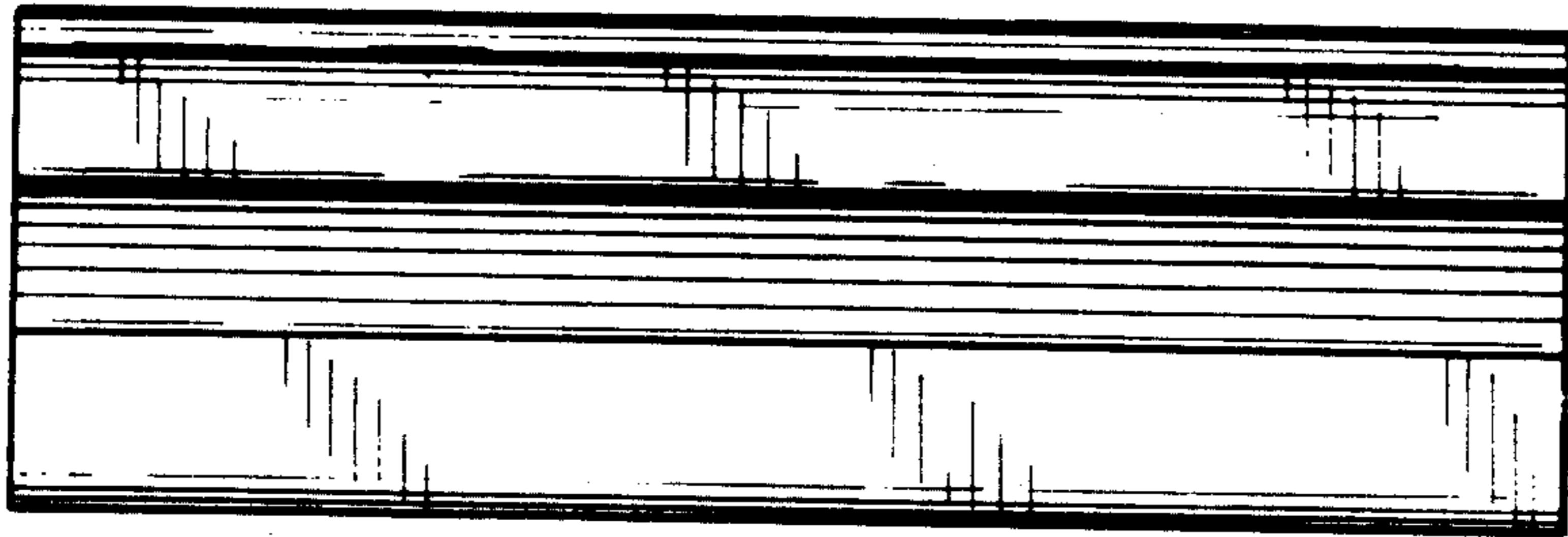


Fig. 4.

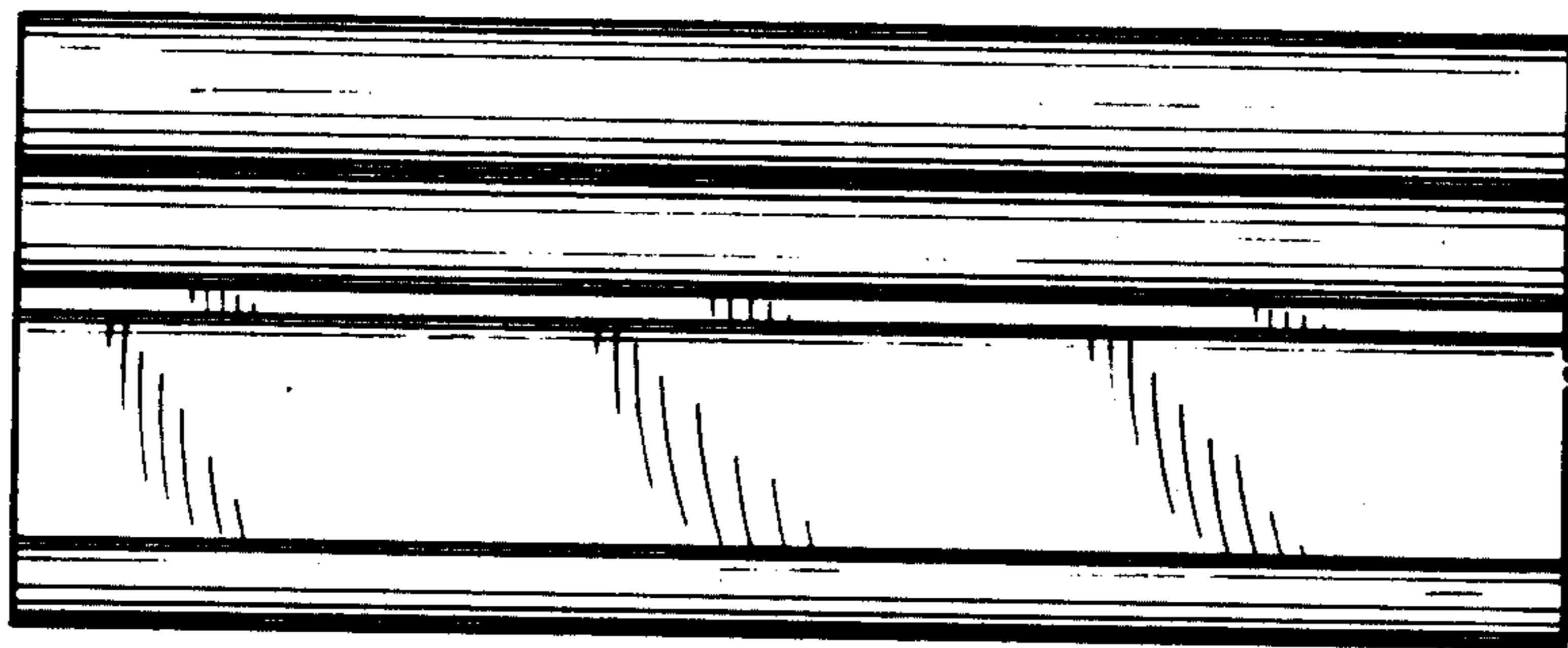


Fig. 5.

