

[54] STOVE

[76] Inventors: James W. Loftis, 4 Rodney Ave., Greenville, S.C. 29609; James M. Bridwell, Rte. 2 Tanner Rd., Taylors, S.C. 29687

[\*\*] Term: 14 Years

[21] Appl. No.: 826,885

[22] Filed: Aug. 22, 1977

[51] Int. Cl. .... D23-03

[52] U.S. Cl. .... D23/97

[58] Field of Search ..... D23/72, 86, 89, 92, D23/93, 94, 97, 105, 107, 108, 127, 128; D7/112, 113, 114; 126/4, 6, 58, 59, 60, 62, 65, 120, 121, 123, 126, 138, 190, 200, 211, 217

[56]

References Cited

U.S. PATENT DOCUMENTS

D. 199,656	11/1964	Rogers, Jr. et al. ....	D23/107
D. 244,136	4/1977	Buckner .....	D23/107
1,623,634	4/1927	Pape .....	D23/92 UX

Primary Examiner—Wallace R. Burke  
Assistant Examiner—Catherine Kemper  
Attorney, Agent, or Firm—Luke J. Wilburn, Jr.

[57]

CLAIM

The ornamental design for a stove, as shown.

DESCRIPTION

FIG. 1 is a top perspective view of a stove showing our new design.

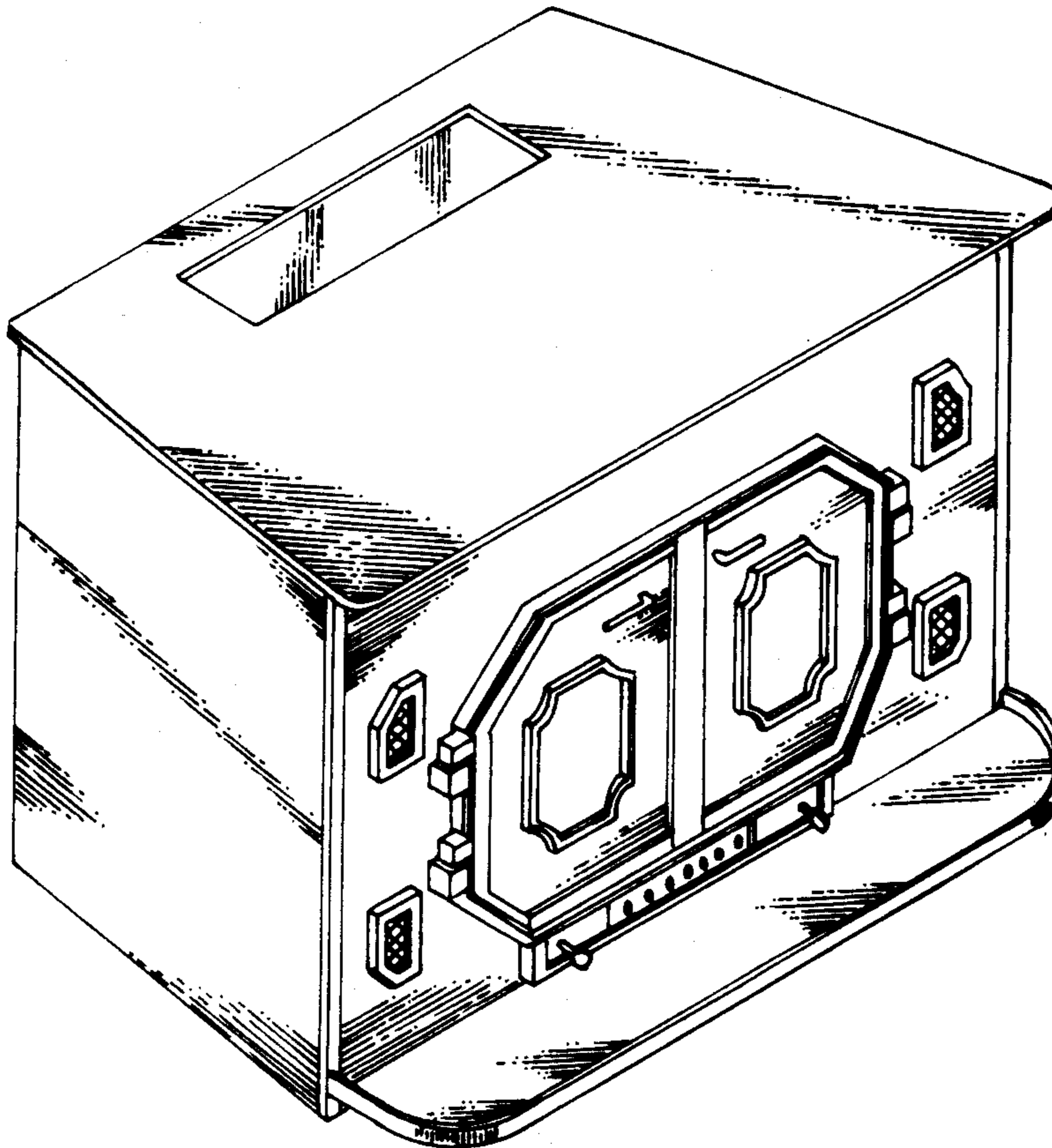
FIG. 2 is a front elevation view thereof.

FIG. 3 is a top plan view thereof.

FIG. 4 is a right side elevation view thereof.

FIG. 5 is a rear elevation view thereof.

FIG. 6 is a left side elevation view thereof.



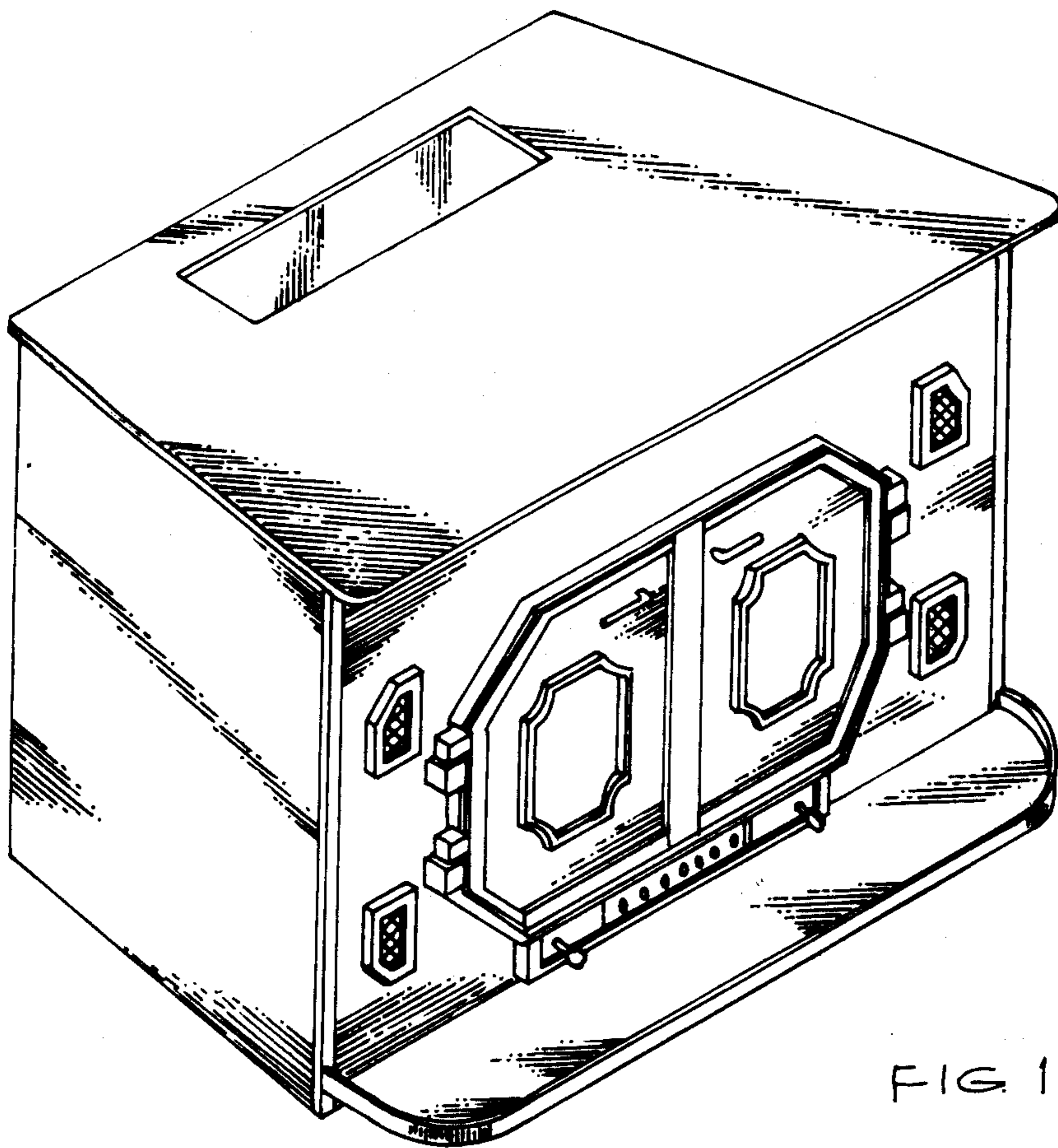


FIG. 1

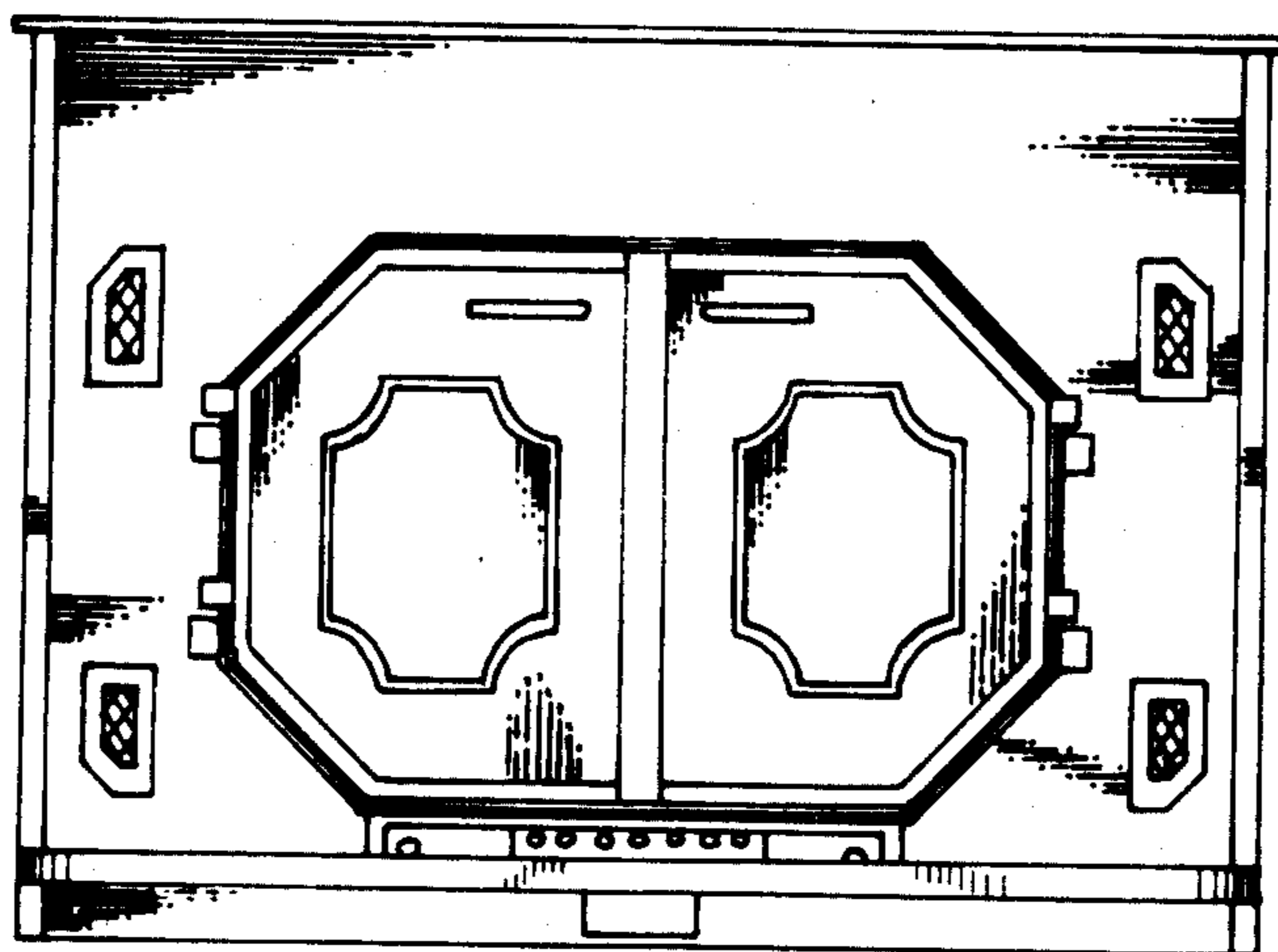


FIG. 2

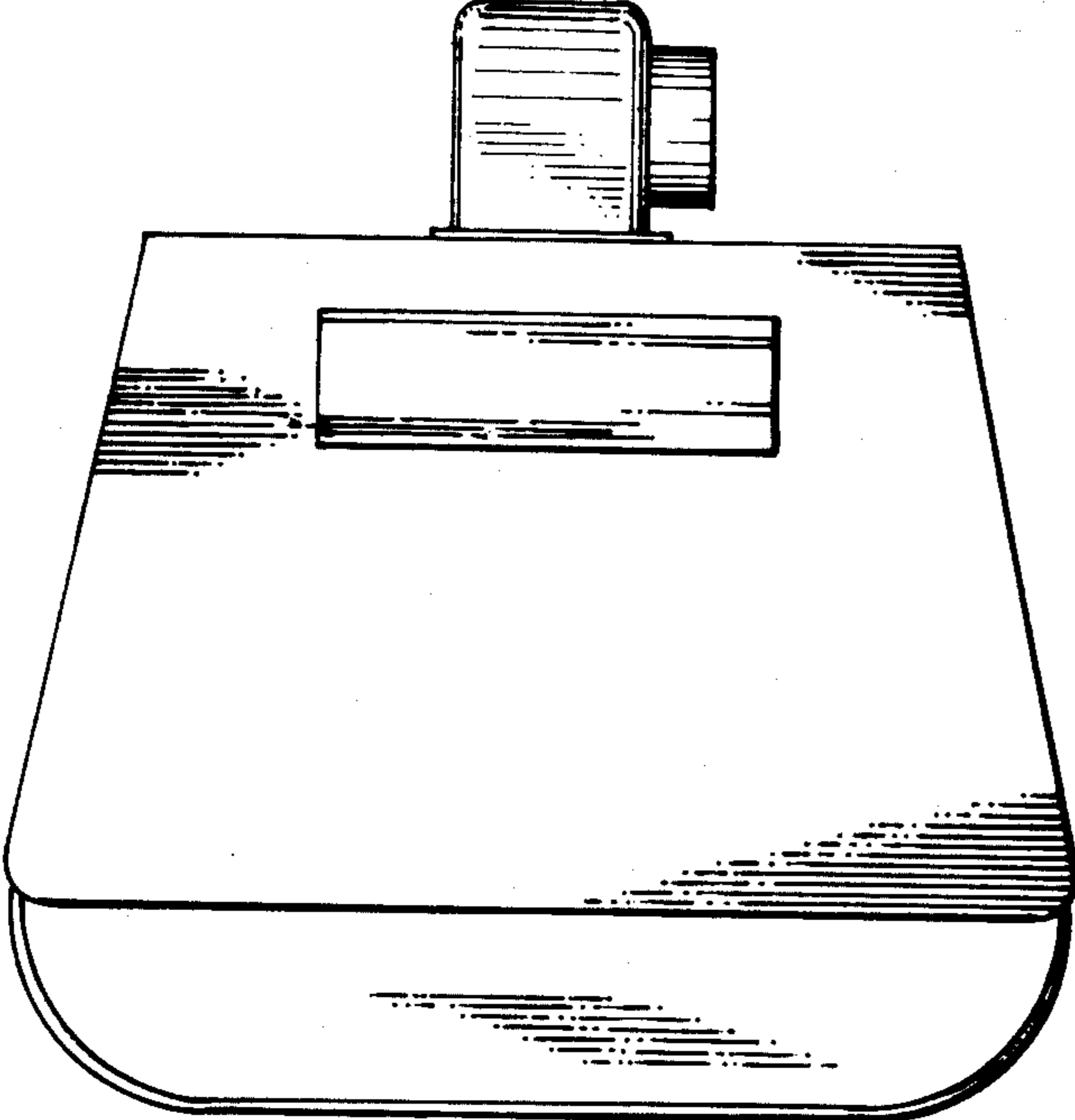


FIG. 3

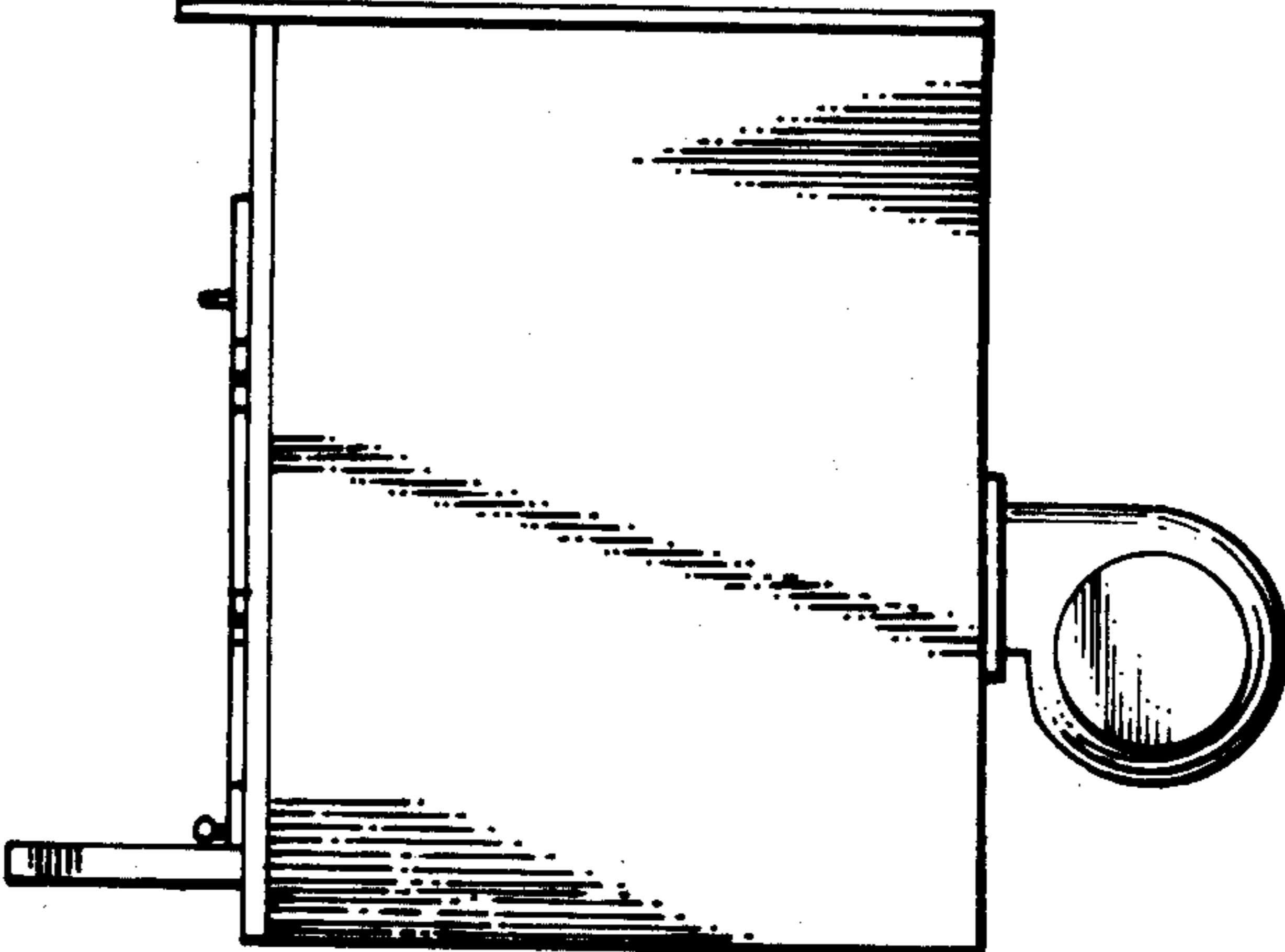


FIG. 4

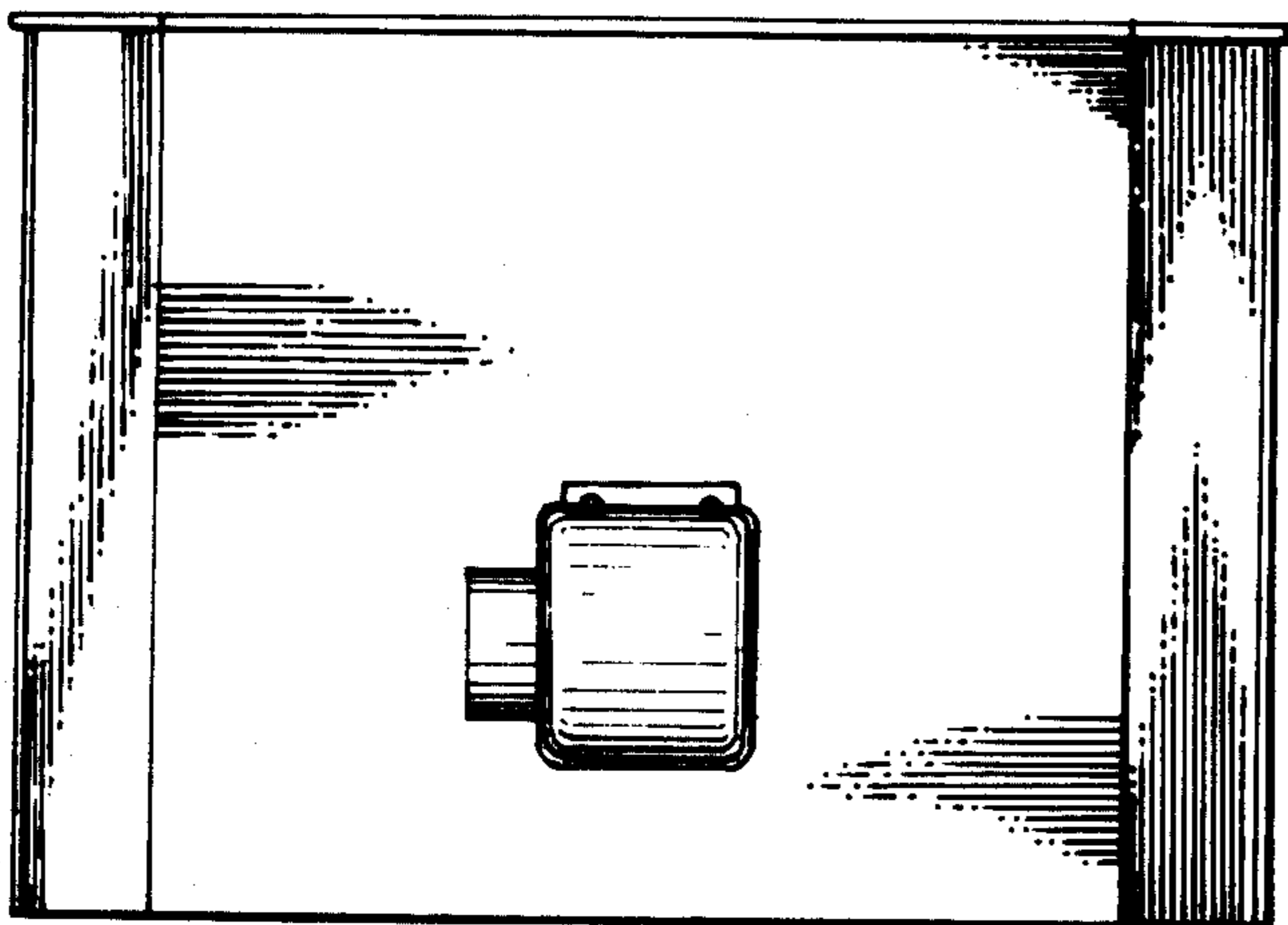


FIG. 5

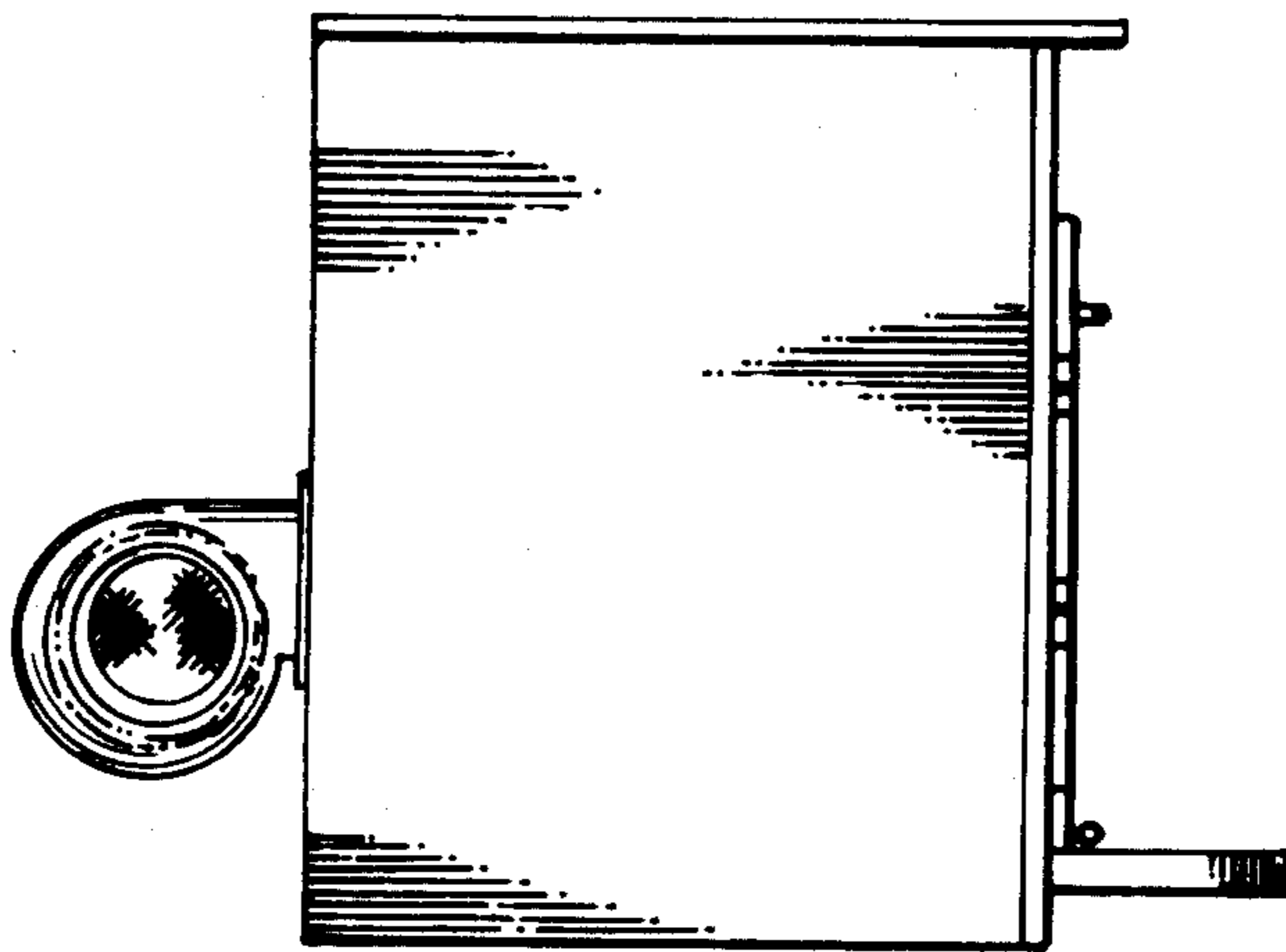


FIG. 6