

[54] **PORTABLE SINK OR THE LIKE**  
 [76] **Inventor:** Salvatore Scotto, 1344 75th St.,  
 Brooklyn, N.Y. 11228  
 [\*\*] **Term:** 14 Years  
 [21] **Appl. No.:** 823,971  
 [22] **Filed:** Aug. 12, 1977  
 [51] **Int. Cl.** ..... D23-02  
 [52] **U.S. Cl.** ..... D23/61  
 [58] **Field of Search** ..... D23/48-71;  
 4/166, 167, 170, 187; D30/17

D. 45,283 2/1914 Allen ..... D23/61  
 D. 75,582 6/1928 McFeely ..... D23/61  
 D. 77,824 2/1929 Esch ..... D23/13  
 D. 78,257 4/1929 Bonner, Sr. .... D23/61

*Primary Examiner*—James R. Largen  
*Attorney, Agent, or Firm*—Peter Kent

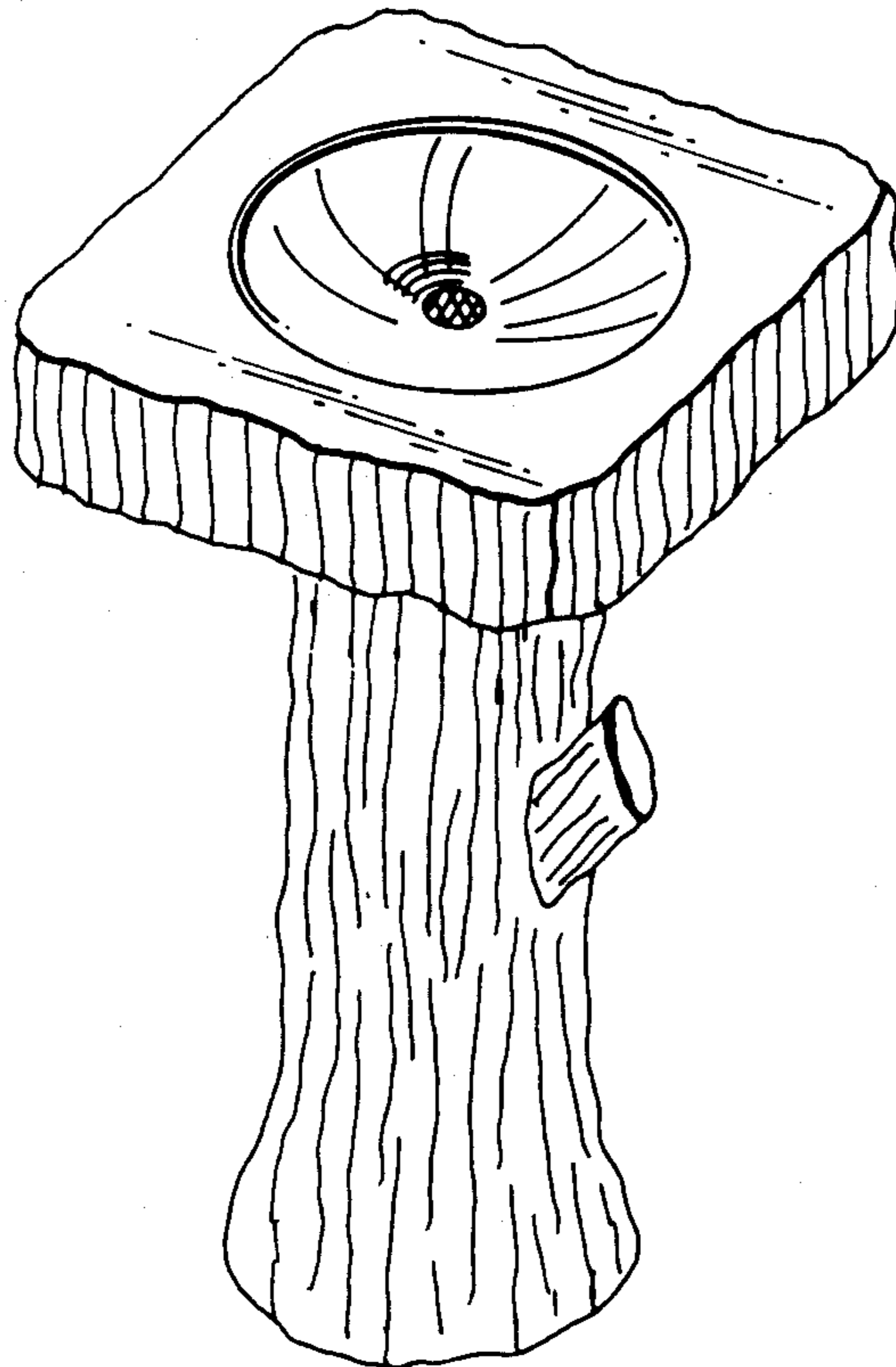
[57] **CLAIM**

The ornamental design for a portable sink or the like, substantially as shown.

**DESCRIPTION**

FIG. 1 is a perspective view taken from the top, front and right side of a portable sink showing my new design;  
 FIG. 2 is a perspective view taken from the top, rear and left side thereof;  
 FIG. 3 is a bottom plan view thereof; and  
 FIG. 4 is a fragmentary cross sectional view taken on line 4-4 of FIG. 2.

[56] **References Cited**  
**U.S. PATENT DOCUMENTS**  
 D. 36,647 11/1903 Torrance et al. .... D23/61  
 D. 36,882 4/1904 Weelans ..... D23/61  
 D. 37,256 12/1904 Lloyd ..... D23/61  
 D. 37,371 3/1905 Lloyd ..... D23/61



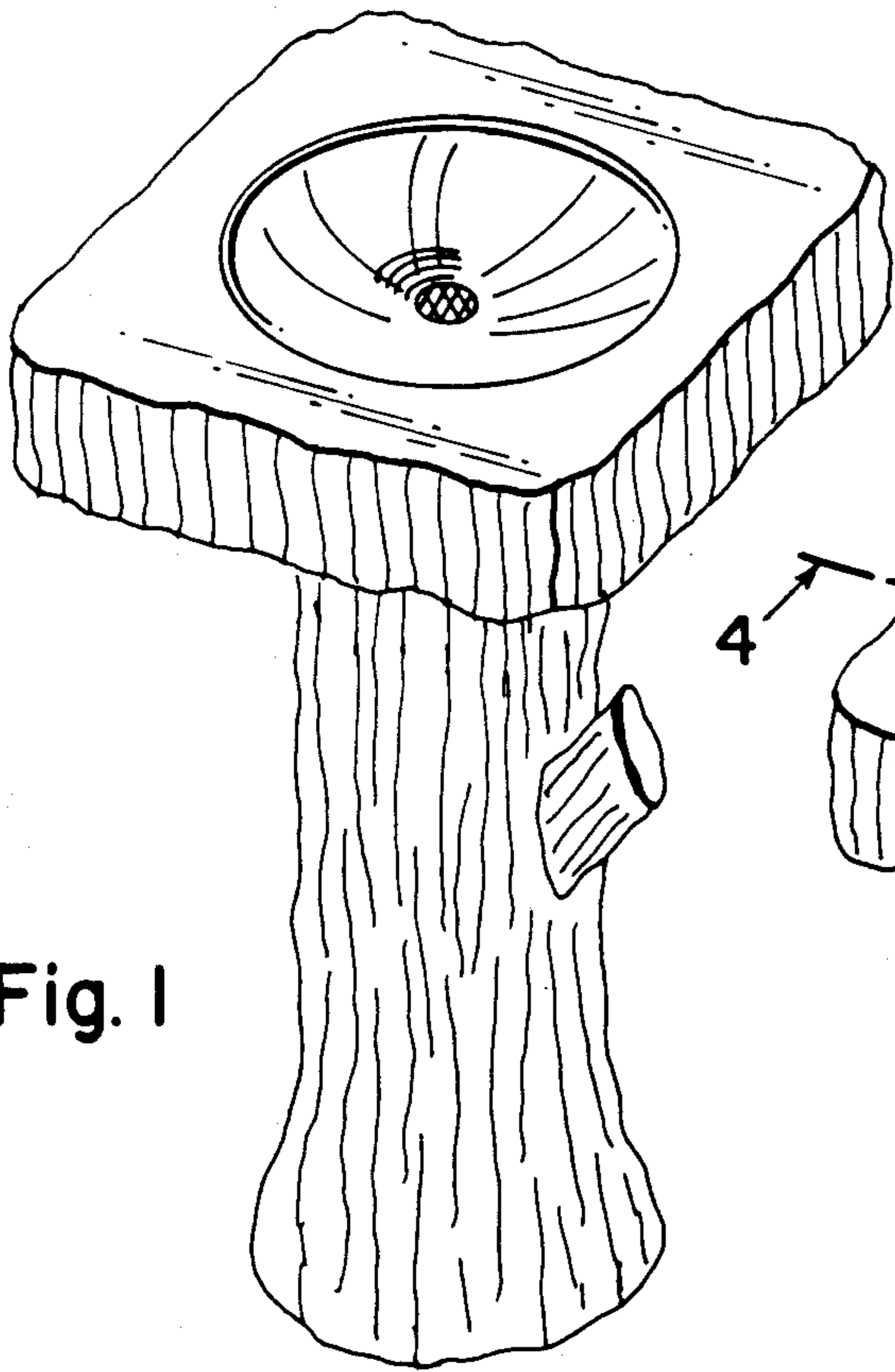


Fig. 1

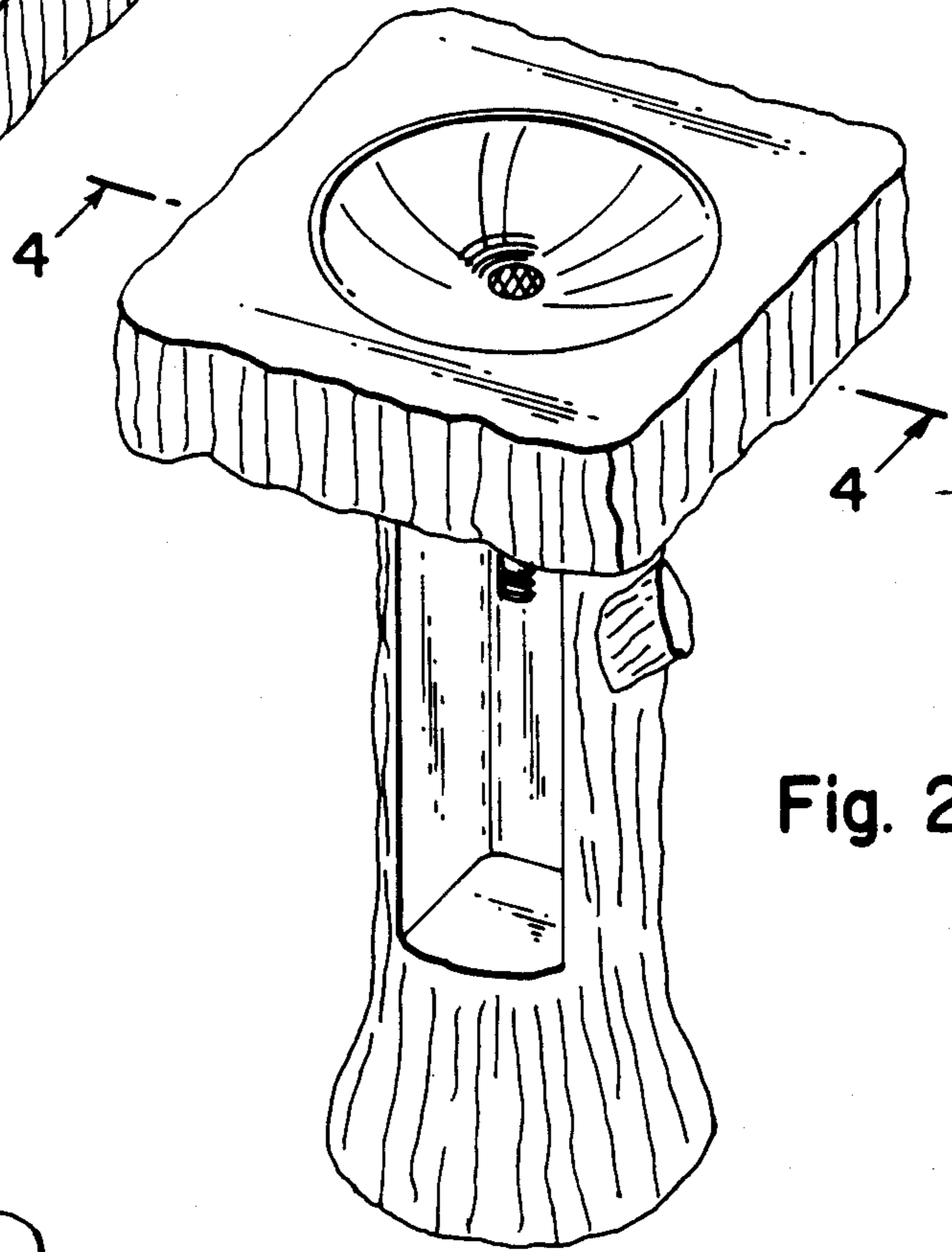


Fig. 2

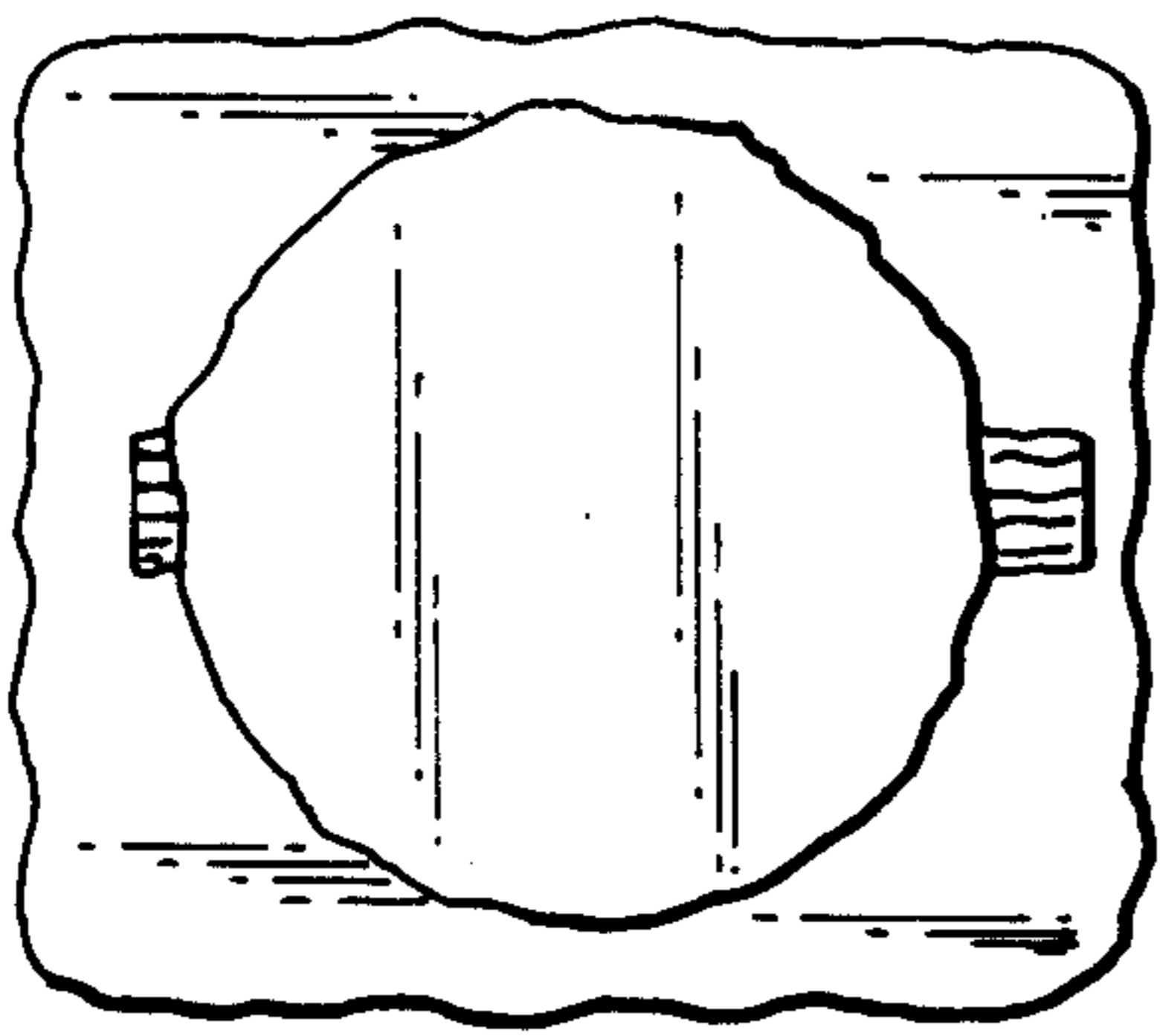


Fig. 3

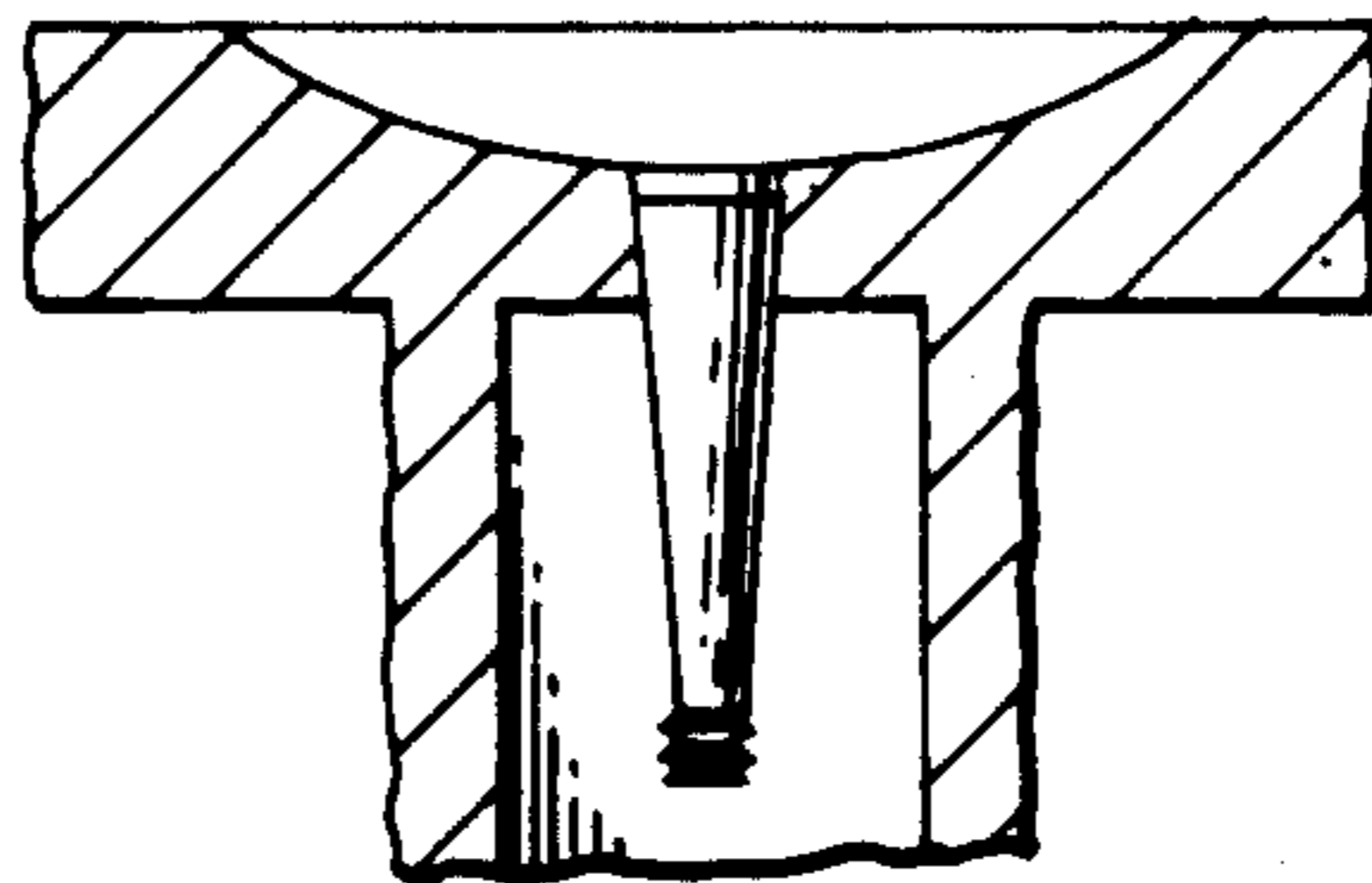


Fig. 4