

[54] BATHTUB

[76] Inventor: Philippe J. H. Clement, 104 S. Robertson Blvd., Los Angeles, Calif. 90048

[**] Term: 14 Years

[21] Appl. No.: 843,744

[22] Filed: Oct. 19, 1977

[51] Int. Cl. D23-02

[52] U.S. Cl. D23/55

[58] Field of Search D23/48-56; 4/2-5, 146, 148, 160-164, 166, 173, 175, 176, 178, 180, 185 R, 185 B, 187 R

[56] References Cited

U.S. PATENT DOCUMENTS

D. 198,257	5/1964	Kerns et al.	D23/55
D. 214,270	5/1969	Bonsack	D23/55
D. 226,607	4/1973	Lawrence	D23/55

D. 229,180	11/1973	Mollerstedt	D23/55
D. 244,292	5/1977	Ridgeway	D23/55
2,081,728	5/1937	Bassett	D23/55 X

Primary Examiner—James R. Largen
Attorney, Agent, or Firm—Gary E. Lande

[57] CLAIM

The ornamental design for a bathtub, as shown and described.

DESCRIPTION

FIG. 1 is a top plan view of a bathtub showing my new design;
FIG. 2 is an elevational view taken from one side thereof, the opposite side being a mirror image of the side shown;
FIG. 3 is a right end elevational view thereof;
FIG. 4 is a cross sectional view taken on line 4-4 of FIG. 2; and
FIG. 5 is a cross sectional view taken on line 5-5 of FIG. 1.

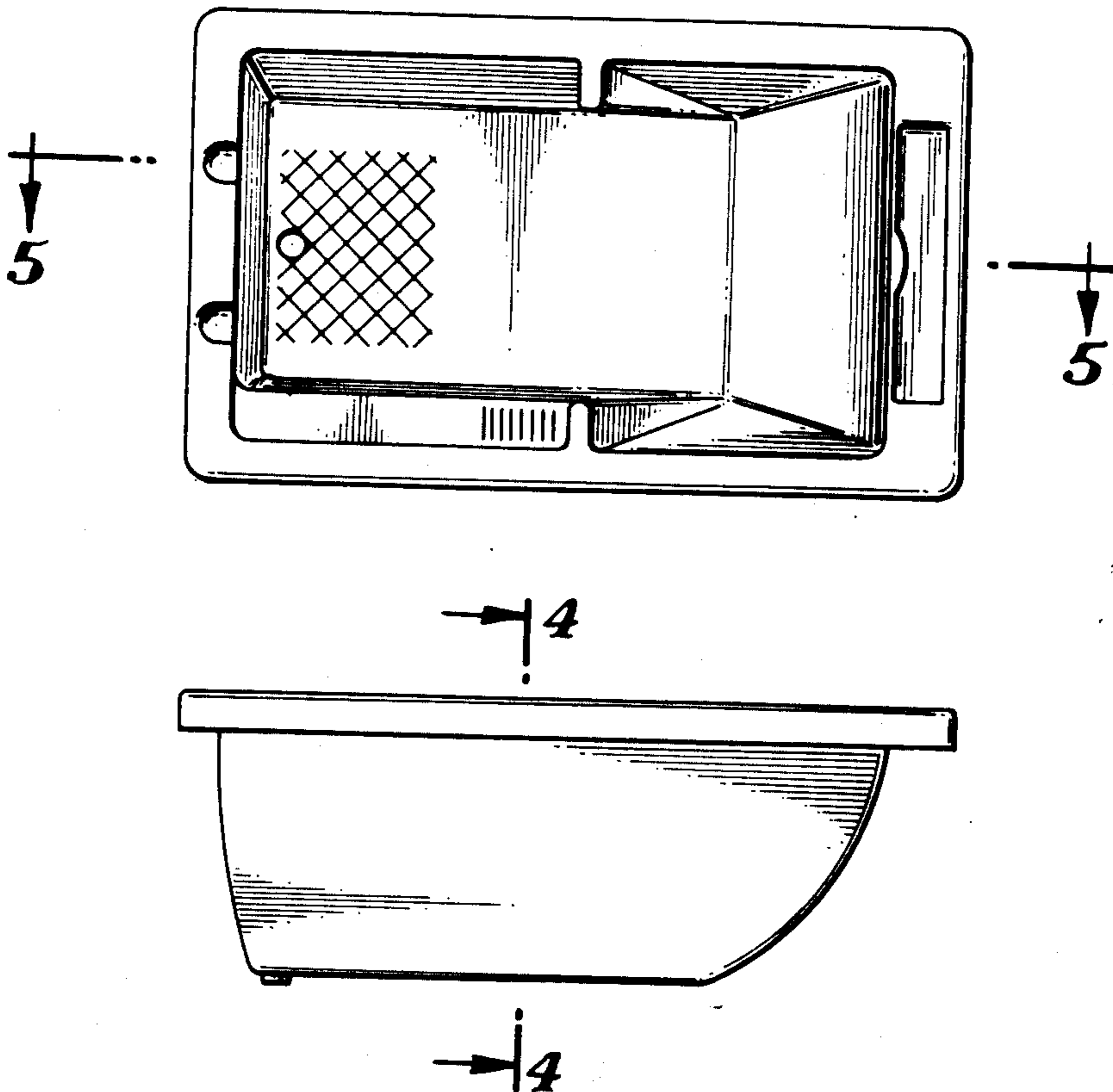


Fig. 1.

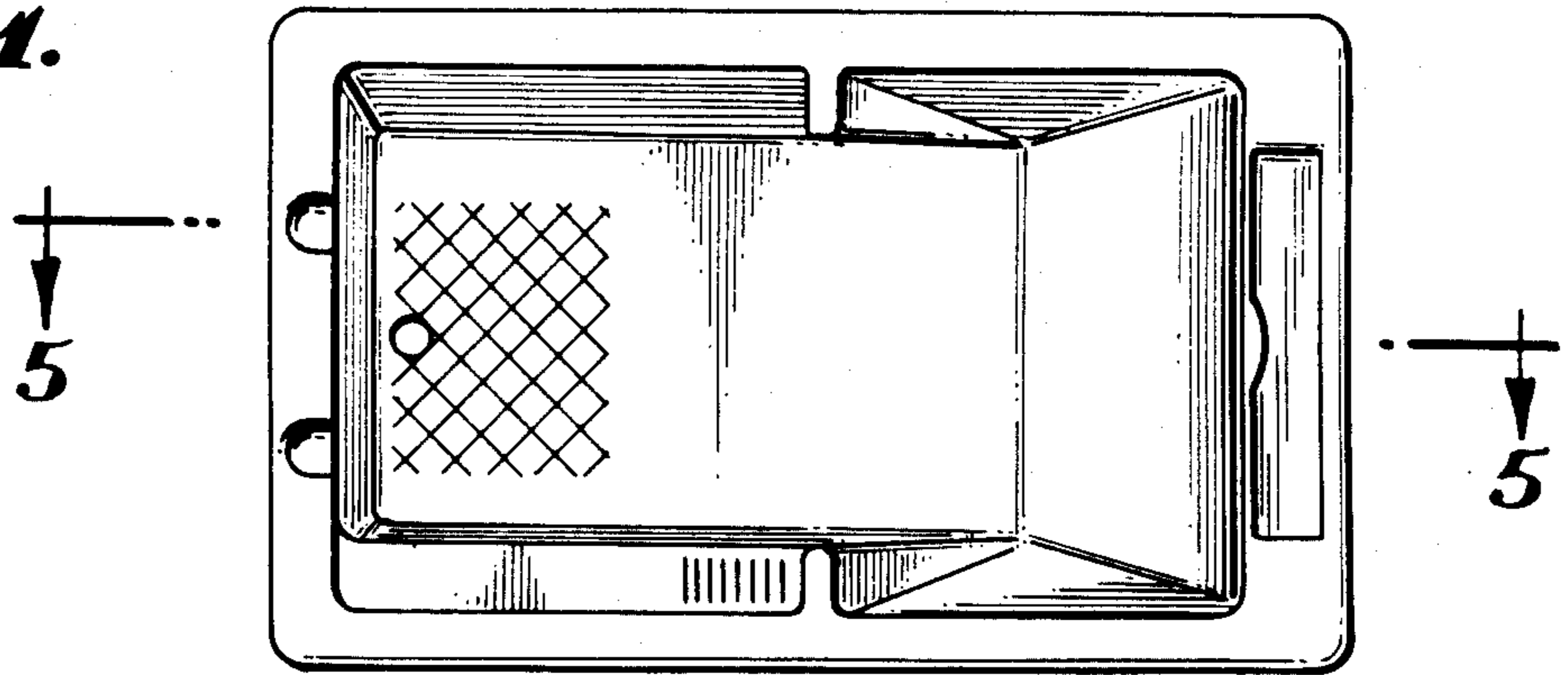


Fig. 2.

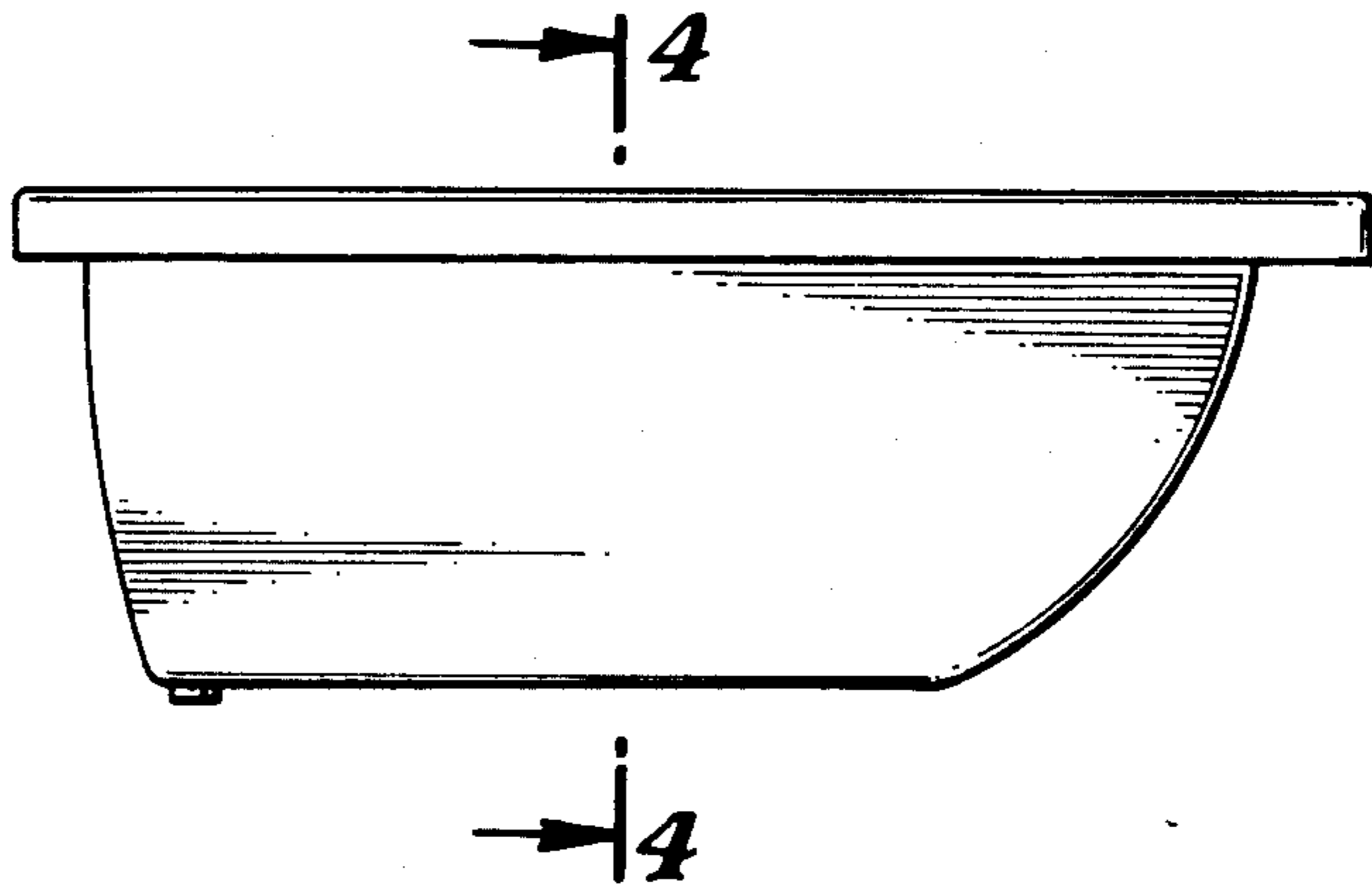


Fig. 3.

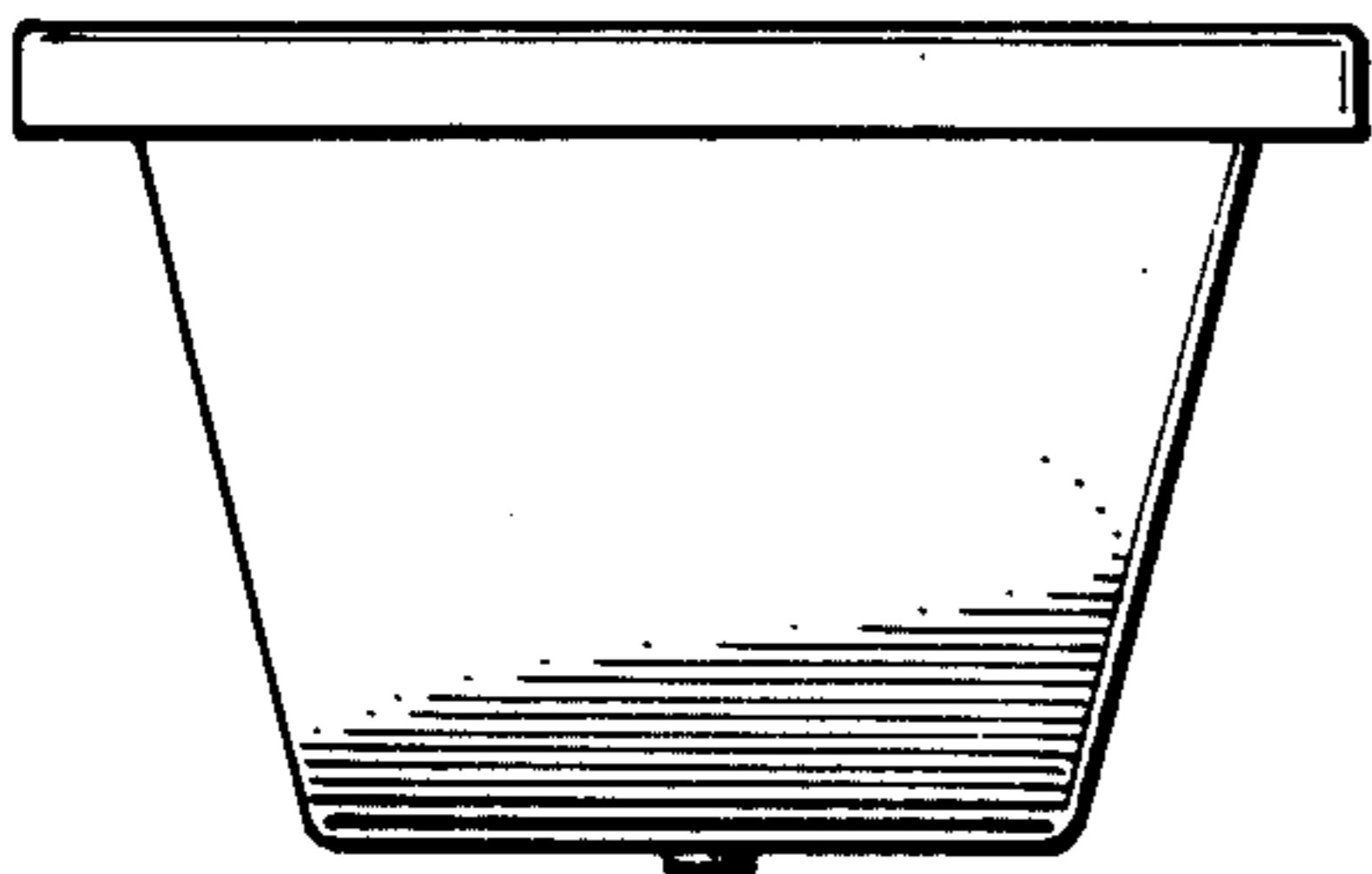


Fig. 4.

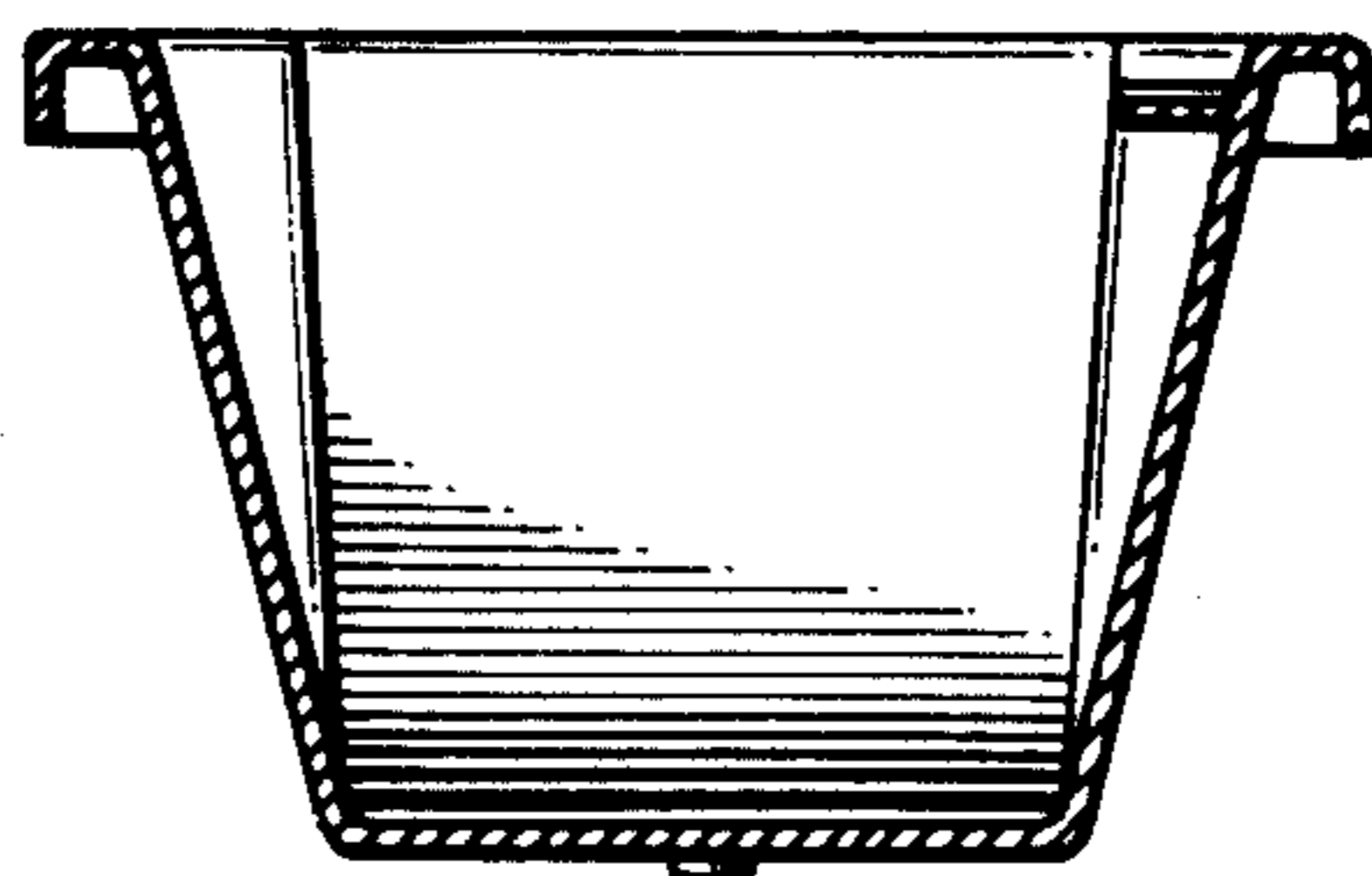


Fig. 5.

